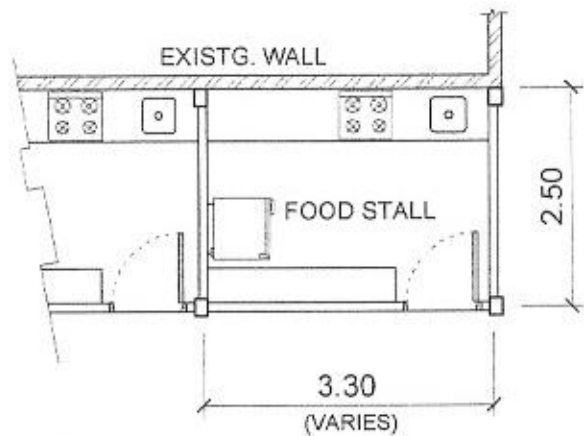
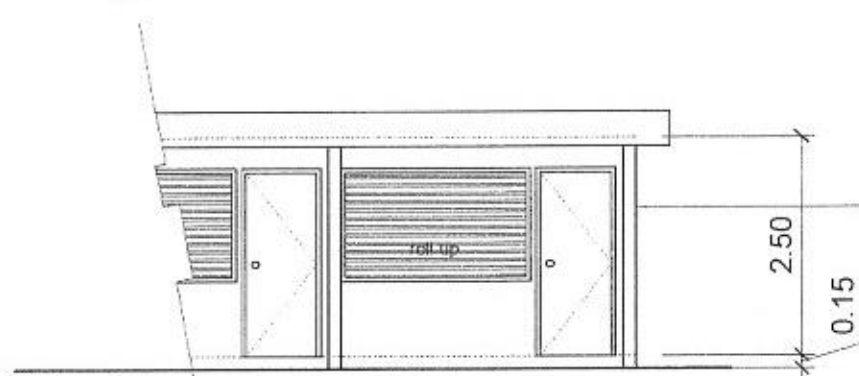


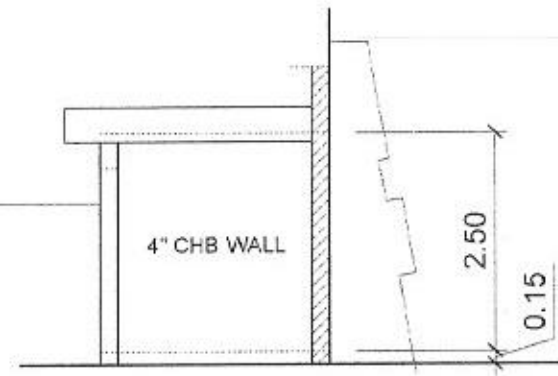
PREPARED BY:	END USER:	ENDORSED BY:	REC. APPROVAL:	APPROVED BY:	PROJECT TITLE/LOCATION:	IMPLEMENTING AGENCY:	SHEET NO.
E. N. RODEROS JR. DCP CEIT	L. C. COSTA DEAN CVSU NUS CAMPUS	R. B. CUBILLA DIRECTOR PLANNING OFFICE	H. C. GARCIA VPASU CVSU	D. ROBLES PRES CVSU	PROPOSED FOOD STALLS LOCATION: CAVITE STATE UNIVERSITY, NUS CAMPUS	CAVITE STATE UNIVERSITY	1



FLOOR PLAN
SCALE 1 : 80 MTS.

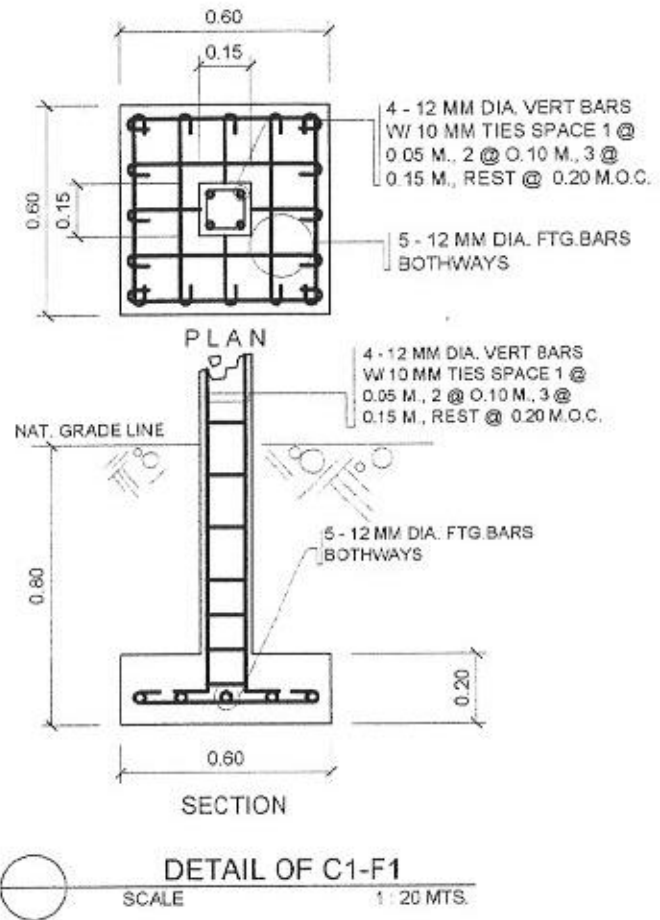
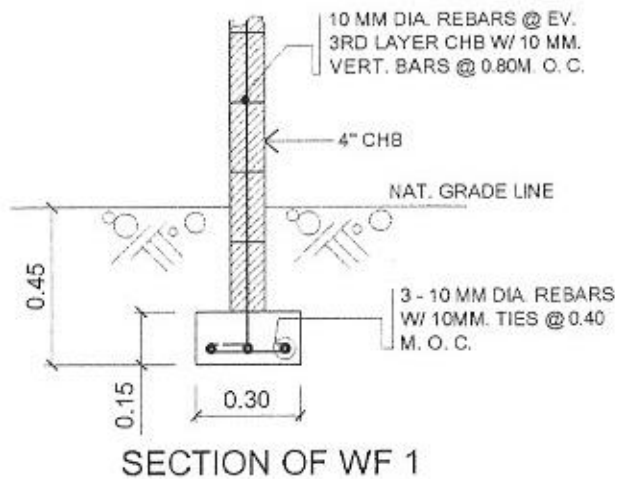
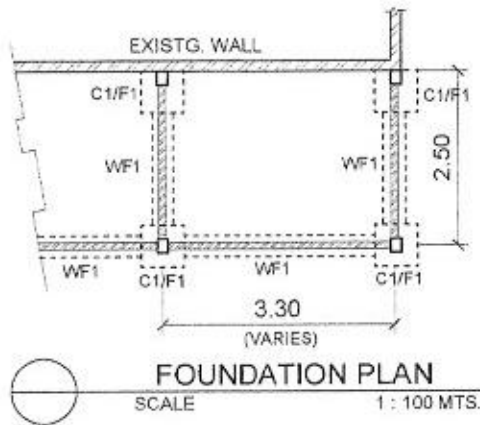


FRONT ELEVATION
SCALE 1 : 80 MTS.

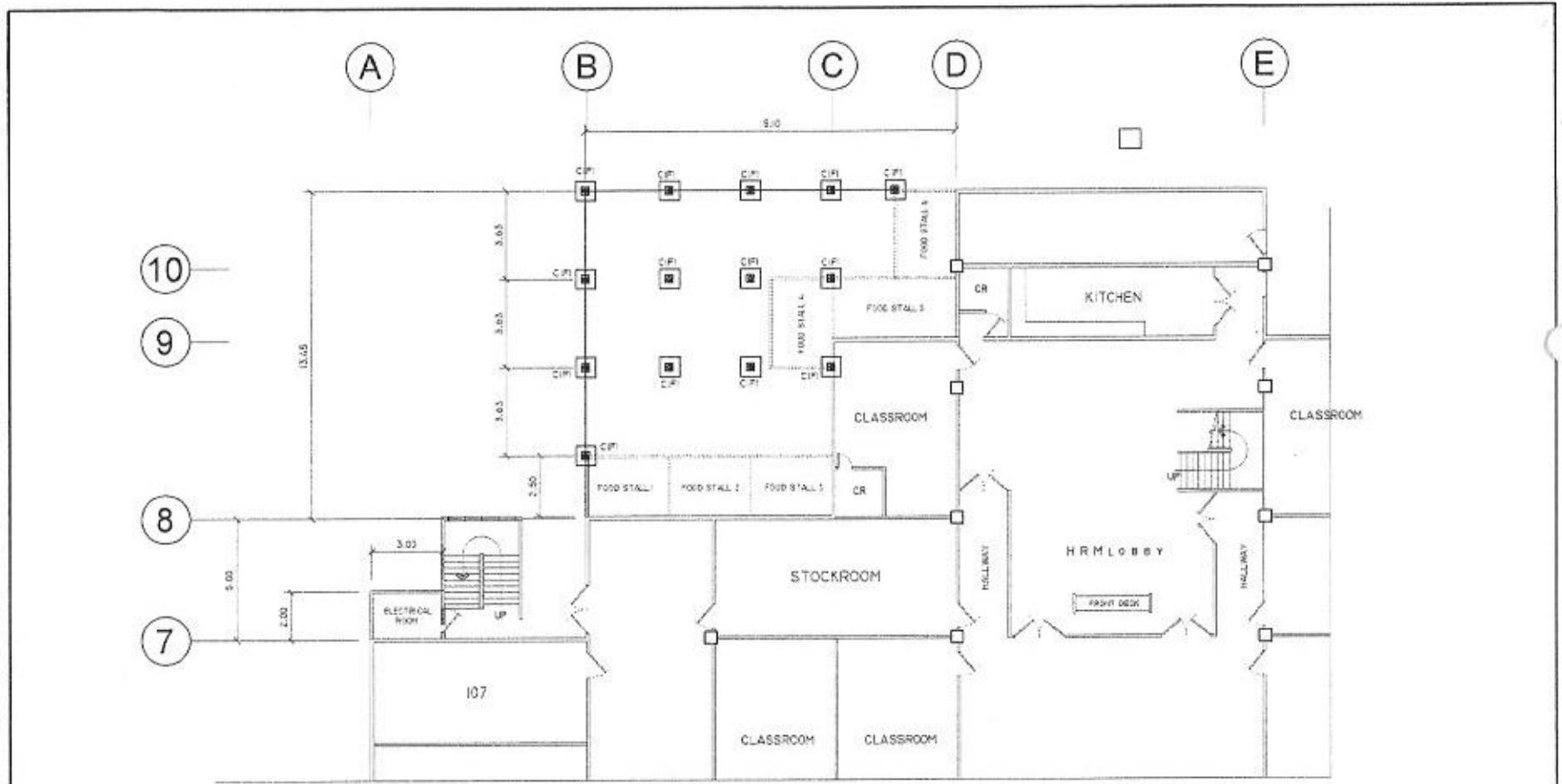


RIGHT SIDE ELEVATION
SCALE 1 : 80 MTS.

PREPARED BY	END USER	ENDORSED BY	REC. APPROVAL	APPROVED BY	PROJECT TITLE/LOCATION	IMPLEMENTING AGENCY	SHT NO.
E. N. RODRIG JR. PPU CEN	L. C. COSTA DEAN IMUS CAMPUS	R. B. UBILLA DIRECTOR PLANNING OFFICE	H. O. GARCIA PASS CVSU	H. D. ROBLES PRES CVSU	PLAN OF FOOD STALLS CVSU BUS CAMPUS	CAVITE STATE UNIVERSITY	2

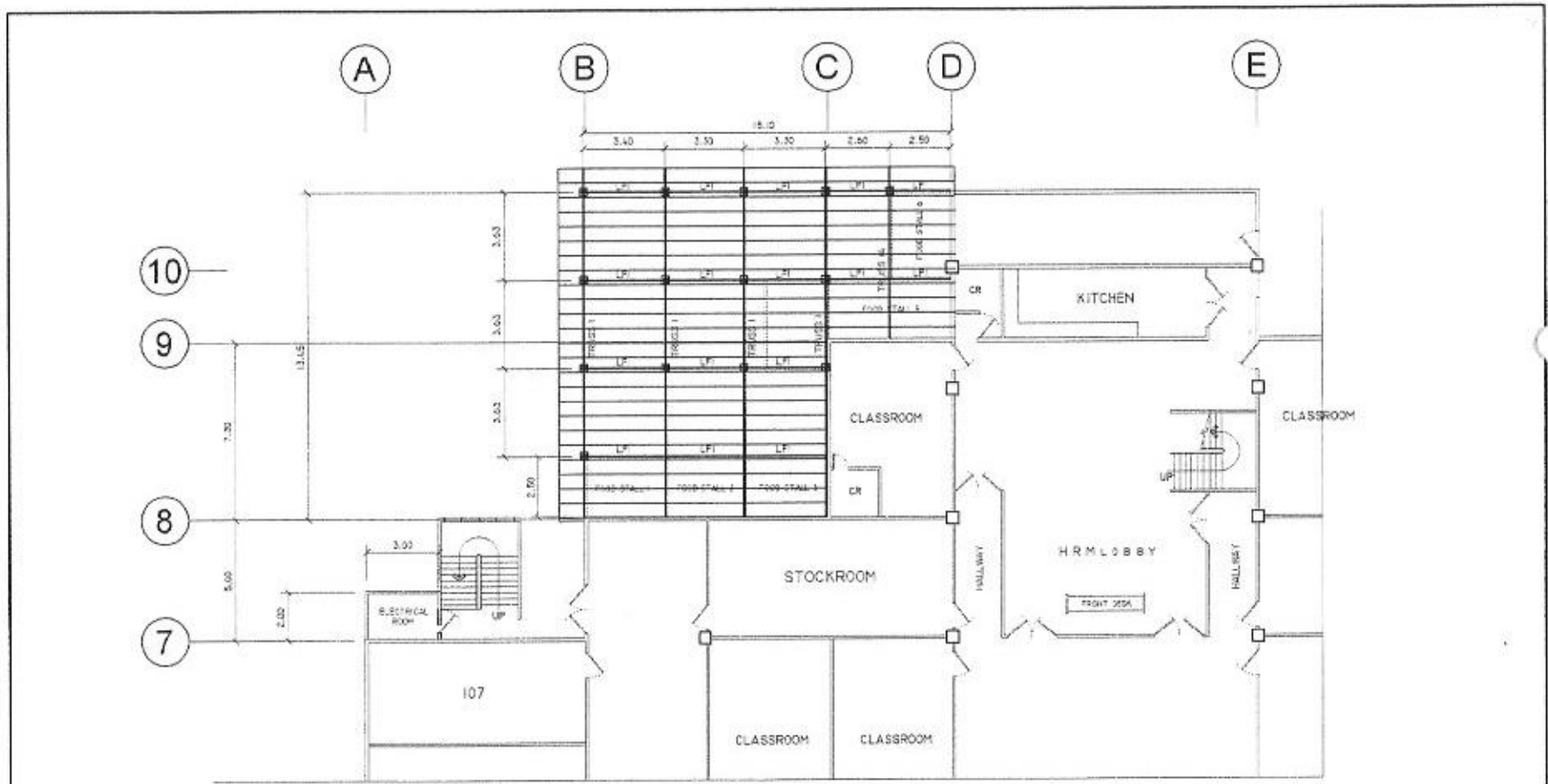


PREPARED BY:	END USER:	ENDORSED BY:	REC. APPROVAL:	APPROVED BY:	PROJECT TITLE/LOCATION:	IMPLEMENTING AGENCY:	SHT NO.
E. N. RODEROS JR. PPJ CET	L. C. COSTA DEAN IMUS CAMPUS	R. B. CUBILLA DIRECTOR PLANNING OFFICE	H. D. GARCIA PASS CVSU	H. D. ROBLES PRES CVSU	PLAN OF FOOD STALLS CVSU IMUS CAMPUS	CAVITE STATE UNIVERSITY	3



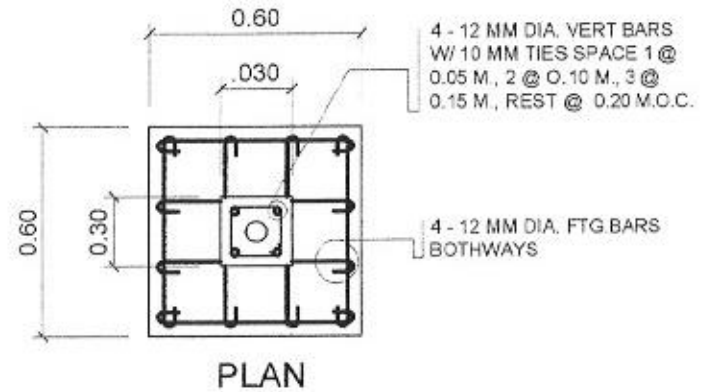
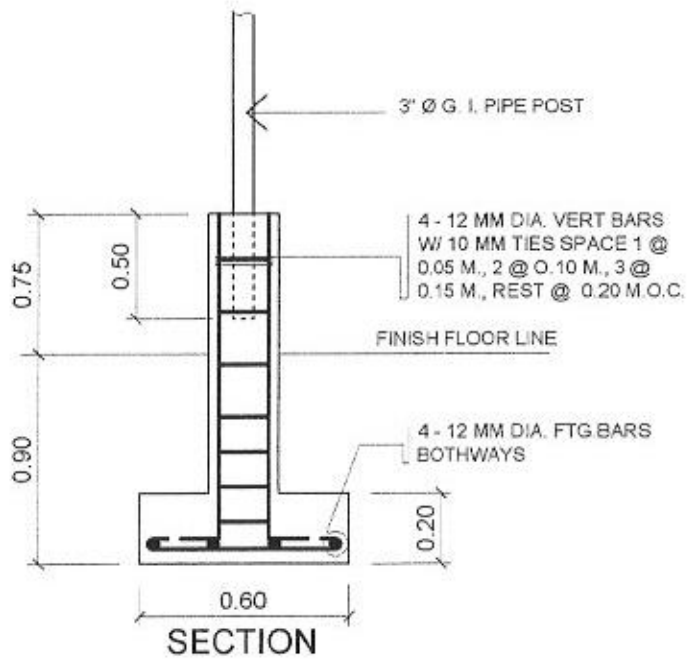
FOUNDATION PLAN
 SCALE 1 : 250 MTS.

PREPARED BY: <i>E. N. Roderos, Jr.</i> E. N. RODEROS, JR. <small>OCE</small>	END USER: <i>L. C. Costa</i> L. C. COSTA <small>DEAN - CYSU MAS CAMPUS</small>	ENDORSED BY: <i>R. B. Cubilla</i> R. B. CUBILLA <small>DIRECTOR, PLANNING OFFICE</small>	RES. APPROVAL: <i>H. O. Garcia</i> H. O. GARCIA <small>VPASS CYSU</small>	APPROVED BY: <i>H. D. Robles</i> H. D. ROBLES <small>PRES CYSU</small>	PROJECT TITLE/ LOCATION: PROPOSED FOOD STALLS <small>LOCATION: CAVITE STATE UNIVERSITY, MAS CAMPUS</small>	IMPLEMENTING AGENCY: CAVITE STATE UNIVERSITY	SHEET NO.: 4
---	---	---	--	---	--	---	-----------------



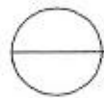
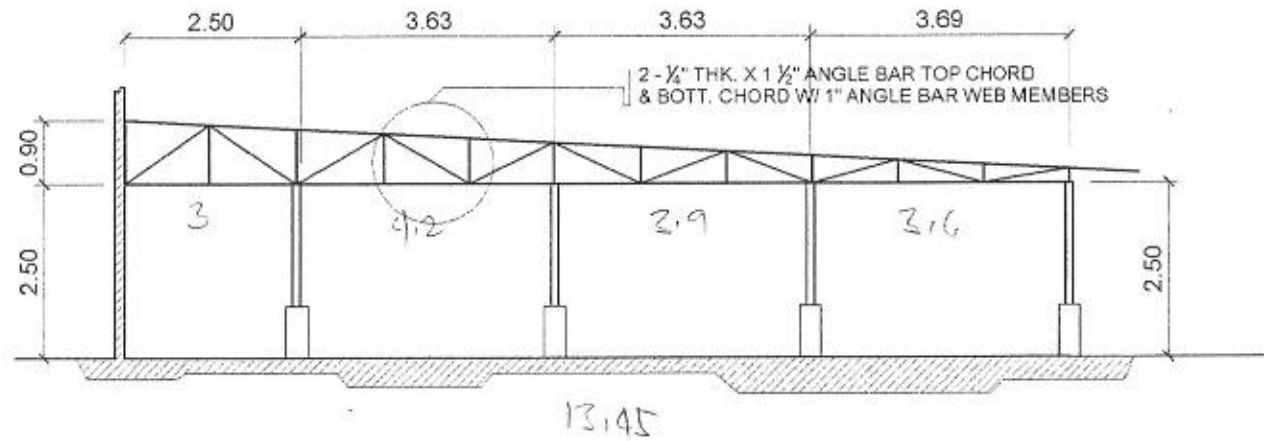
ROOF FRAMING PLAN
 SCALE 1 : 250 MTS.

PREPARED BY <i>E. N. Roderos Jr.</i> E. N. RODEROS JR. <small>DCE</small>	END USER <i>L. C. Costa</i> L. C. COSTA <small>DEAN, CVEU BAYS CAMPUS</small>	ENDORSED BY <i>R. B. Cubilla</i> R. B. CUBILLA <small>DIRECTOR, PLANNING OFFICE</small>	REC. APPROVAL <i>H. O. Garcia</i> H. O. GARCIA <small>V.P. ASST. CVEU</small>	APPROVED BY <i>H. D. Robles</i> H. D. ROBLES <small>PRES. CVEU</small>	PROJECT TITLE/LOCATION PROPOSED FOOD STALLS <small>LOCATION: CAVITE STATE UNIVERSITY, BAYS CAMPUS</small>	IMPLEMENTING AGENCY CAVITE STATE UNIVERSITY	SHEET NO. 5
--	--	--	--	---	---	--	----------------



DETAIL OF CONC. PEDESTAL
SCALE 1 : 20 MTS.

PREPARED BY: <i>E. N. Roderos Jr.</i> E. N. RODEROS JR. DCE	ENG. USER: <i>L. C. Costa</i> L. C. COSTA DEAN, CVSU MUS CAMPUS	ENDORSED BY: <i>R. B. Cubilla</i> R. B. CUBILLA DIRECTOR, PLANNING OFFICE	REC. APPROVAL: <i>H. O. Garcia</i> H. O. GARCIA VPASS CVSU	APPROVED BY: <i>H. D. Robles</i> H. D. ROBLES PMS CVSU	PROJECT TITLE/LOCATION: PROPOSED FOOD STALLS LOCATION: CAVITE STATE UNIVERSITY - MUS CAMPUS	IMPLEMENTING AGENCY: CAVITE STATE UNIVERSITY	SHEET NO.: 6
--	--	--	---	---	---	---	-----------------



SECTION OF TRUSS 1

SCALE 1 : 100 MTS.

PREPARED BY	END USER	ENDORSED BY	REC. APPROV.	APPROVED BY	PROJECT TITLE/LOCATION	IMPLEMENTING AGENCY	SHT NO.
E. N. RODEROS JR. DCE	L. C. COSTA DEAN - OVSU MUS CAMPUS	R. E. CUBILLA DIRECTOR - PLANNING OFFICE	H. O. GARCIA VPASS OVSU	H. D. ROBLES RES OVSU	PROPOSED FOOD STALLS LOCATION: CAVITE STATE UNIVERSITY - MUS CAMPUS	CAVITE STATE UNIVERSITY	7