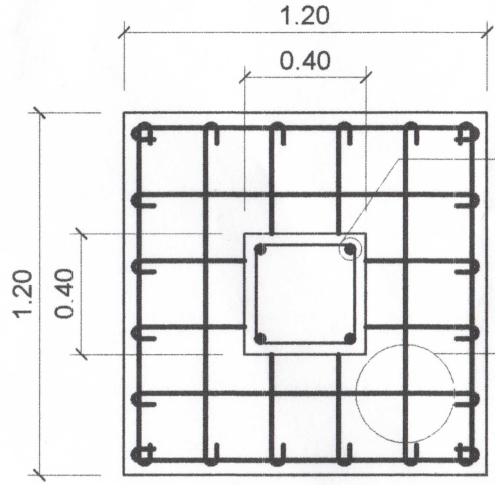


ELEVATION

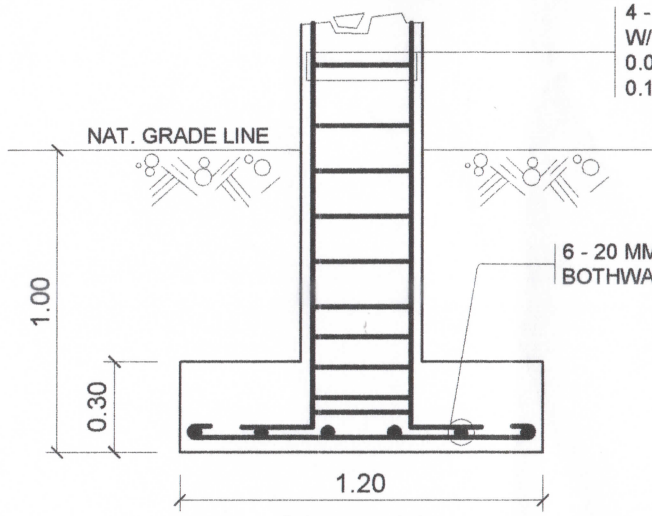
SCALE 1 : 60 M.



PLAN

4 - 20 MM DIA. VERT BARS
W/ 10 MM TIES SPACE 2 @
0.05 M., 3 @ 0.10 M., 4 @
0.15 M., REST @ 0.20 M.O.C.

6 - 20 MM DIA. FTG. BARS
BOTHWAYS



**SECTION
COLUMN FOOTING**

SCALE 1 : 25 M.

4 - 20 MM DIA. VERT BARS
W/ 10 MM TIES SPACE 2 @
0.05 M., 3 @ 0.10 M., 4 @
0.15 M., REST @ 0.20 M.O.C.

6 - 20 MM DIA. FTG. BARS
BOTHWAYS

PREPARED BY: E. RODEROS JR.	PROF. ELECT. ENGR. R. F. PEREA	END USER M. A. MOJICA DEAN CVSU IMUS CAMPUS	ENDORSED BY: O. B. DE LOS REYES DIRECTOR PPU	REG. APPROVAL C. A. POLINGA V. MASS CVSU	APPROVED BY: H. D. ROBLES PRES CVSU	PROJECT TITLE/ LOCATION: PROPOSED SERVICE ENTRANCE POLE CVSU IMUS CAMPUS	IMPLEMENTING AGENCY: CAVITE STATE UNIVERSITY	SHT NO.: 1
--------------------------------	-----------------------------------	---	--	--	---	--	---	---------------