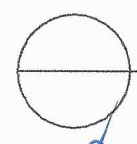


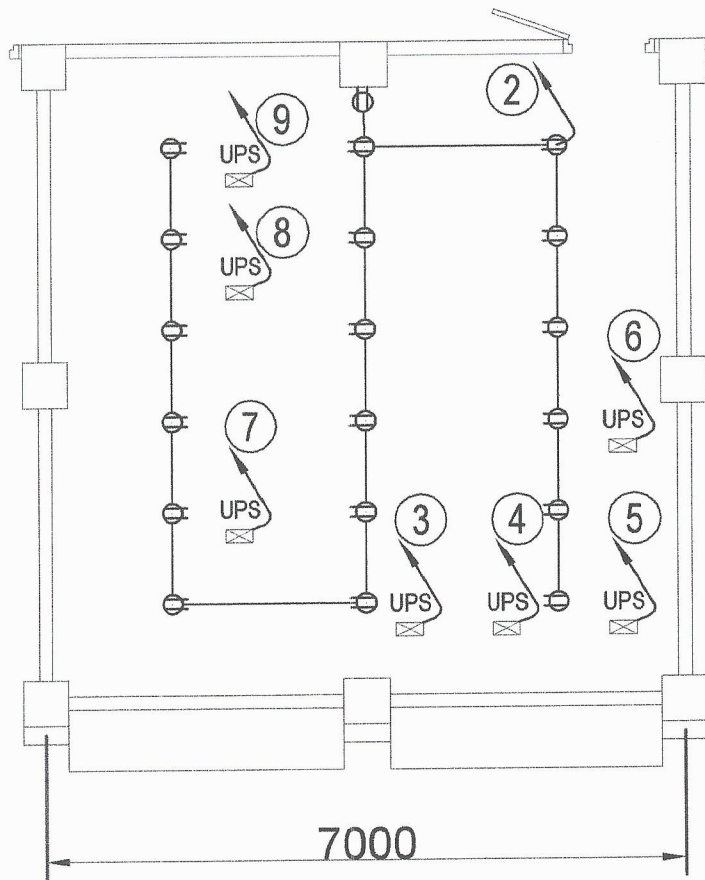
UNIVERSITY DATA CENTER LIGHTING LAYOUT

SCALE

1 : 80 MTS.

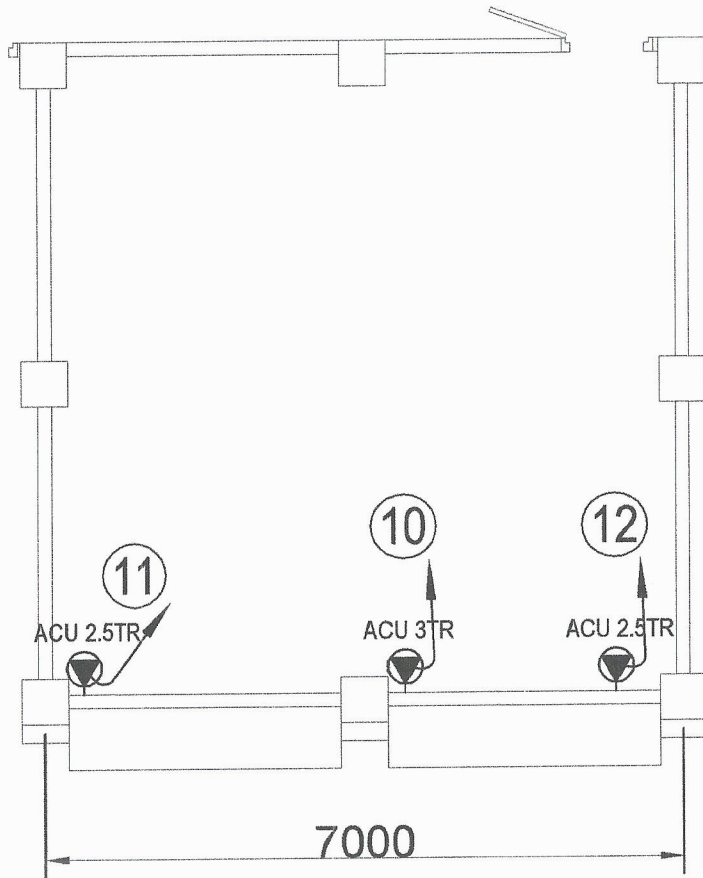


CADD BY: E. N. RODEROS JR. <small>PPU CVPPD</small>		ENDORSED BY: O. B. DE LOS REYES <small>DIRECTOR PLANNING OFFICE</small>		REC. APPROVAL C. A. POLINGA <small>VPASS CVSU</small>		APPROVED BY: H. D. ROBLES <small>PRES CVSU</small>		PROJECT TITLE/LOCATION: ELECTRICAL PLAN FOR UNIVERSITY DATA CENTER CVSU, MAIN CAMPUS		IMPLEMENTING AGENCY CAVITE STATE UNIVERSITY		SHT NO. E : 11	
PROFESSIONAL ELECTR. ENGR.: RONALD B. PEÑA		END USER: E. C. GUARRA <small>CEIT</small>											



UNIVERSITY DATA CENTER
FLOOR MOUNTED C.O. LAYOUT
 SCALE 1 : 80 MTS.

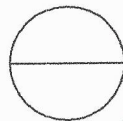
CADD BY: <i>[Signature]</i> E. N. RODEROS JR. PPU CPED		END USER: <i>[Signature]</i> E. C. GUEVARRA UCC	ENDORSED BY: <i>[Signature]</i> O. B. DELOS REYES DIRECTOR PLANNING OFFICE	REC. APPROVAL <i>[Signature]</i> C. A. POLINGA VPASS CVSU	APPROVED BY: <i>[Signature]</i> D. ROBLES PRES CVSU	PROJECT TITLE/LOCATION: ELECTRICAL PLAN FOR UNIVERSITY DATA CENTER CVSU, MAIN CAMPUS	IMPLEMENTING AGENCY CAVITE STATE UNIVERSITY	SHT NO E - 2
--------------------------------------------------------------------	--	----------------------------------------------------------	-------------------------------------------------------------------------------------	-----------------------------------------------------------------------	-----------------------------------------------------------------	-----------------------------------------------------------------------------------------------	------------------------------------------------	-----------------



UNIVERSITY DATA CENTER
AIR CONDITIONING LAYOUT

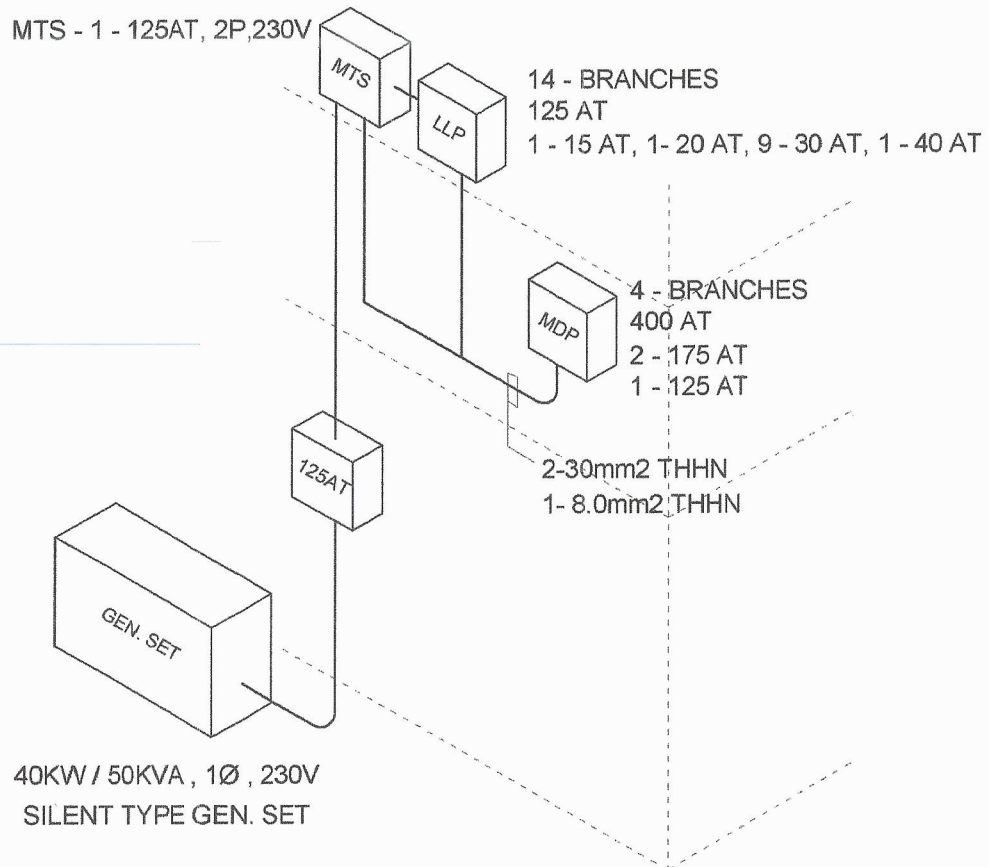
SCALE

1 : 80 MTS.



CADD BY: <i>[Signature]</i> E. N. RODEROS JR. PPU OVPD		END USER: <i>[Signature]</i> O. G. GUZVARRA UCC CEIT	ENDORSED BY: <i>[Signature]</i> O. B. DELOS REYES DIRECTOR PLANNING OFFICE	REC. APPROVAL: <i>[Signature]</i> C. A. POLINGA VIPASS CVSU	APPROVED BY: <i>[Signature]</i> H. D. ROBLES PRES CVSU	PROJECT TITLE/LOCATION: ELECTRICAL PLAN FOR UNIVERSITY DATA CENTER CVSU, MAIN CAMPUS	IMPLEMENTING AGENCY CAVITE STATE UNIVERSITY	SHT NO: E - 3
-----------------------------------------------------------------	--	---------------------------------------------------------------	-------------------------------------------------------------------------------------	----------------------------------------------------------------------	-----------------------------------------------------------------	-----------------------------------------------------------------------------------------------	------------------------------------------------	------------------

MTS - 1 - 125AT, 2P, 230V



40KW / 50KVA, 1Ø, 230V
SILENT TYPE GEN. SET

UNIVERSITY DATA CENTER
ISOMETRIC LAYOUT OF GEN. SET &
MANUAL TRANSFER SWITCH

CADD BY: <i>[Signature]</i>		PROFESSIONAL ELECT. ENGR.: E. N. RODEROS JR. PPU OVPP		END USER: <i>[Signature]</i> E. GUEVARRA VICE CHANCELLER		ENDORSED BY: <i>[Signature]</i> O. B. DELOS REYES DIRECTOR PLANNING OFFICE		REC. APPROVAL: <i>[Signature]</i> C. A. POLINGA VPASS CVSU		APPROVED BY: <i>[Signature]</i> H. D. ROBLES PRES CVSU		PROJECT TITLE/LOCATION: ELECTRICAL PLAN FOR UNIVERSITY DATA CENTER CVSU, MAIN CAMPUS		IMPLEMENTING AGENCY: CAVITE STATE UNIVERSITY		SHT NO: E - 4	
--------------------------------	--	-------------------------------------------------------------	--	-------------------------------------------------------------------	--	-------------------------------------------------------------------------------------	--	---------------------------------------------------------------------	--	-----------------------------------------------------------------	--	-----------------------------------------------------------------------------------------------	--	-------------------------------------------------	--	------------------	--

PANEL: LP
 PHASE: 1
 VOLTS: 230

CABLE: 3 - 30.0 SQ. MM THHN + G 8.0 SQ MM THHN
 CONDUIT: RSC, 40 MM DIA.

MAIN: 125 AT, 225AF, 2P, 230V, 18 KAIC, MCCB
 ENCLOSURE: NEMA 1
 MOUNTING: SURFACE

CKT NO.	NO. OF OUTLETS	PANEL DESCRIPTION	LOAD IN					CIRCUIT PROTECTION	Size of Conductor		Size Of Conduit In MM ø	Color Code	
			WATTS	VOLT	AMPERES				CIRCUIT BREAKER RATING	SQ. MM THHN			SQ. MM THHN(G)
					AB	BC	CA						
1	8	LIGHTING OUTLET	800	230		3.48		15AT, 2P,10 KAIC	2 - 2.0		15	1R,1BK	
2	15	CONVENIENCE OUTLET	2700	230		11.74		20AT, 2P,10 KAIC	2 - 3.5 + G 2.0		20	1R,1BK,G	
3	1	UPS1 for 2 Unit SERVER	3000	230	13.04			30AT, 2P,10 KAIC	2 - 3.5 + G 2.0		20	1R,1BK,G	
4	1	UPS2 for 2 Unit SERVER	3000	230	13.04			30AT, 2P,10 KAIC	2 - 3.5 + G 2.0		20	1R,1BK,G	
5	1	UPS3 for 2 Unit SERVER	3000	230			13.04	30AT, 2P,10 KAIC	2 - 3.5 + G 2.0		20	1R,1BK,G	
6	1	UPS4 for 2 Unit SERVER	3000	230			13.04	30AT, 2P,10 KAIC	2 - 3.5 + G 2.0		20	1R,1BK,G	
7	1	UPS5 for 2 Unit SERVER	3000	230	13.04			30AT, 2P,10 KAIC	2 - 3.5 + G 2.0		20	1R,1BK,G	
8	1	UPS6 for 2 Unit SERVER	3000	230	13.04			30AT, 2P,10 KAIC	2 - 3.5 + G 2.0		20	1R,1BK,G	
9	1	UPS7 for 2 Unit SERVER	3000	230		13.04		30AT, 2P,10 KAIC	2 - 3.5 + G 2.0		20	1R,1BK,G	
10	1	ACU Outlet 1, 3 TR	3600	230		17.00		40AT, 2P,10 KAIC	2 - 5.5 + G 2.0		20	1R,1BK,G	
11	1	ACU Outlet 2, 2.5 HP	2500	230			12.00	30AT, 2P,10 KAIC	2 - 5.5 + G 2.0		20	1R,1BK,G	
12	1	ACU Outlet 3, 2.5 HP	2500	230			12.00	30AT, 2P,10 KAIC	2 - 5.5 + G 2.0		20	1R,1BK,G	
15		SPARE	2500										
16		SPARE	2500										
		TOTAL	38100	230	52.17	45.26	50.09	125AT, 2P,18 KAIC	3 - 30.0 + G 8.0		40	1R,1BK,G	

FEEDER and CURRENT PROTECTION COMPUTATION:

NOTE:

G - Means Ground Wire
 1R- Color RED
 1BK- Color BLACK
 1G- Color GREEN

$$I_{FL} = \frac{[52.17 \times 1.732 + 25\% \times \text{Im}] \text{ DF}}{} = 91.00 \text{ Amperes}$$

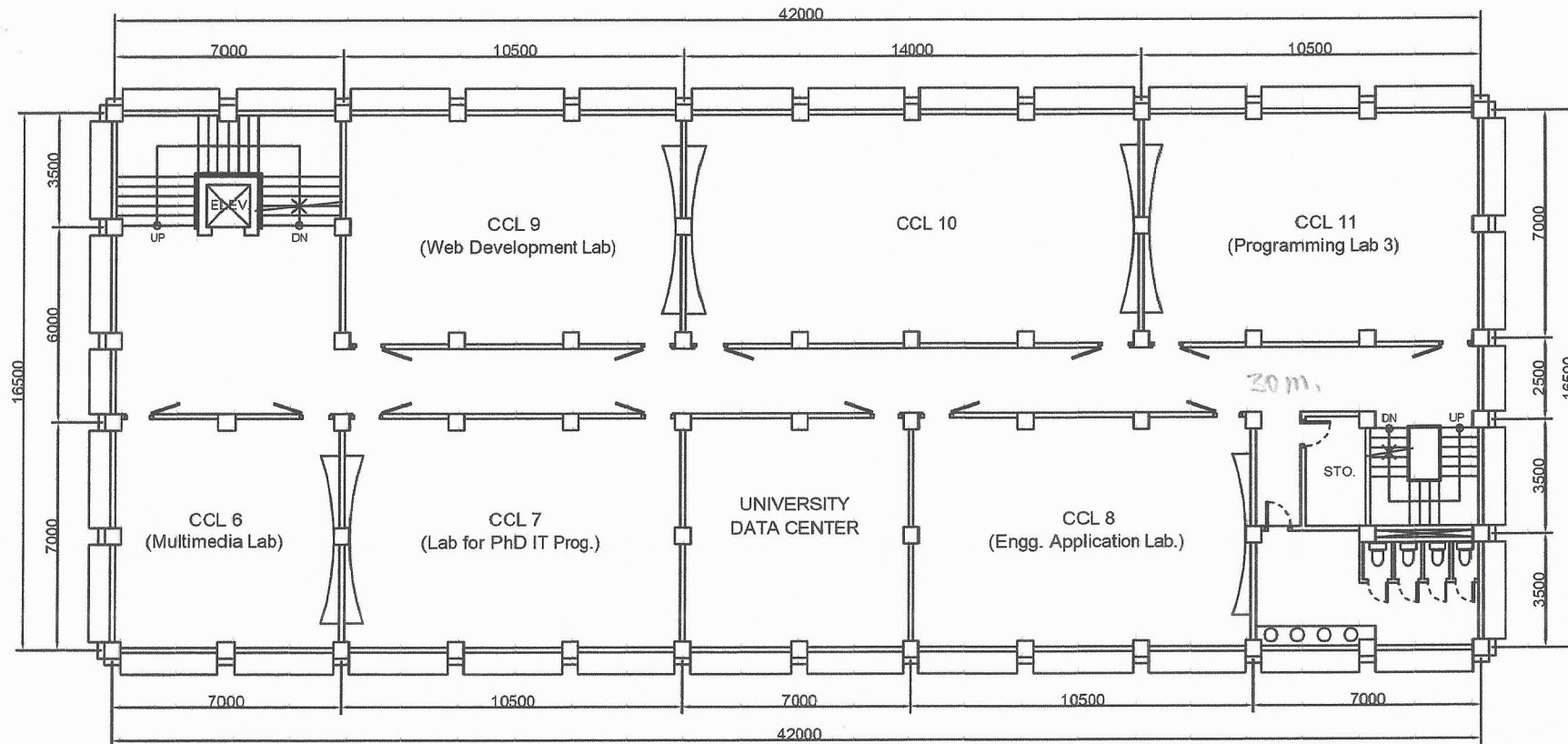
use: 3 - 30 SQMM THHN(91A/130A) + 1 - 8.0 SQMM THHN IN 40 MM DIA. RSC

$$I_{CB} = \frac{[52.17 \times 1.732 + 250\% \times \text{Im}] \text{ DF}}{} = 122.79 \text{ Amperes}$$

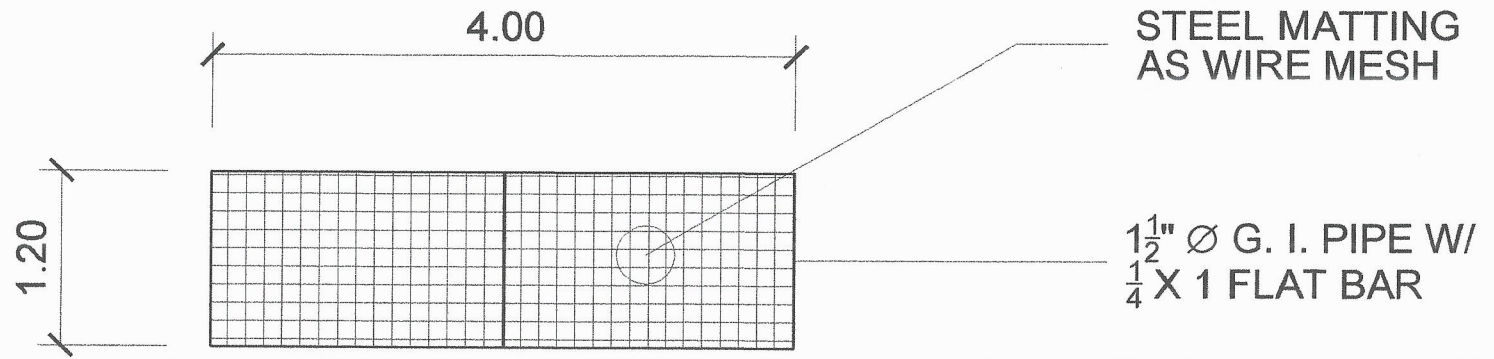
use: 125AT, 225AF, 2P, 230V, 20KAIC, CB

$$\text{kVA} = \frac{122.79 \text{ Amperes} \times 1.732 \times 230 \text{ Volts}}{1000} = 39.13108708$$

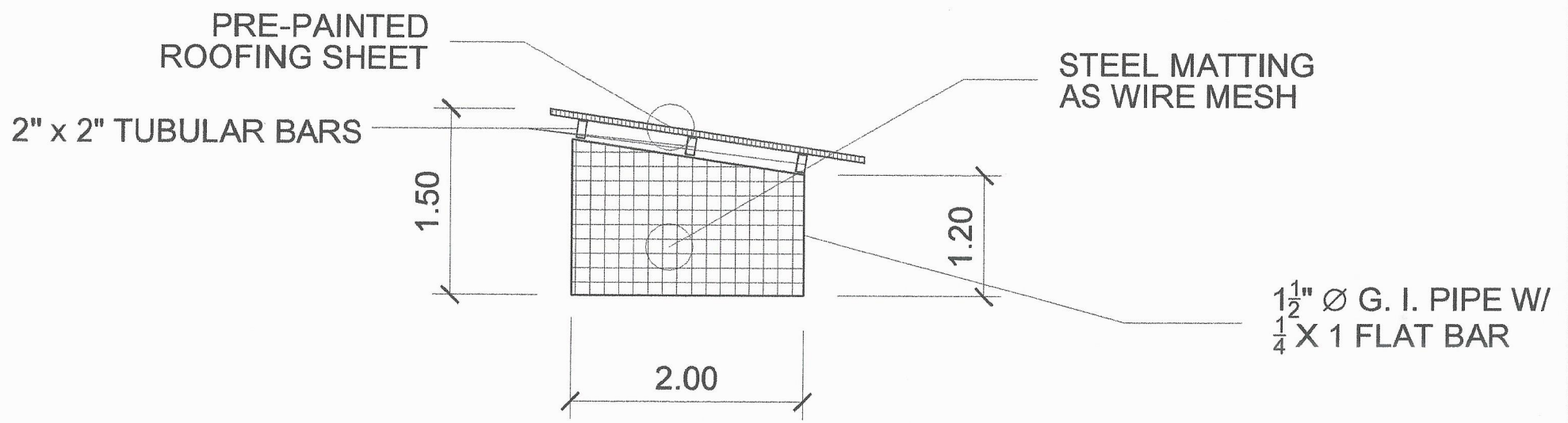
Use: 40kW/50kVA, 230Volts, THREE Phase, 60 Hz, Silent Type Gen Set, Diesel Fuel Engine



IT BUILDING THIRD FLOOR PLAN



FRONT ELEVATION



LEFT/RIGHT SIDE ELEVATION

PREPARED BY:	END USER:	ENDORSED BY:	REC. APPROVAL:	APPROVED BY:	PROJECT TITLE/LOCATION:	IMPLEMENTING AGENCY:	SHT NO.:
J. D. B. ESCANO PPU OVPPD	E. C. GUIVARRA UCC CEIT	Q. B. DELOS REYES DIRECTOR PLANNING OFFICE	C. A. POLINGA VPASS CVSU	H. D. ROBLES PRES CVSU	ELECTRICAL PLAN FOR UNIVERSITY DATA CENTER CVSU, MAIN CAMPUS	CAVITE STATE UNIVERSITY	