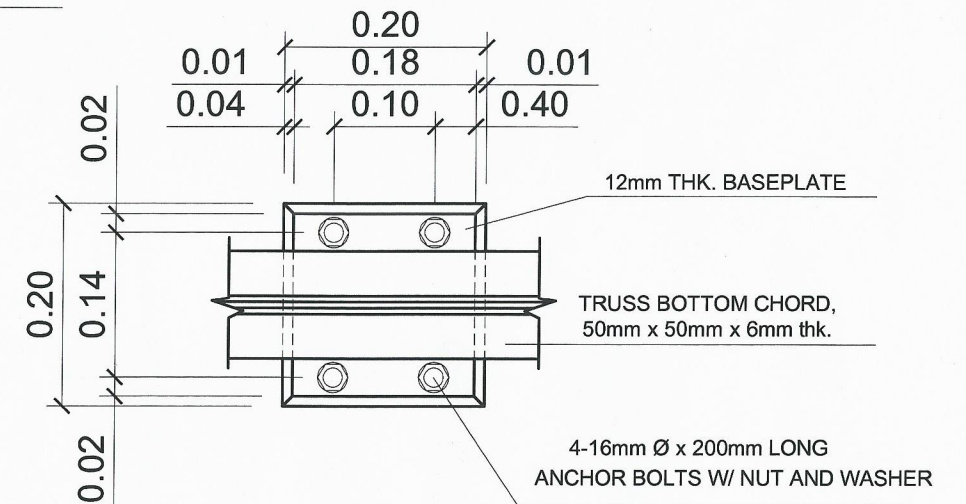


DETAIL SECTION OF TRUSS
SCALE 1:10 MTS



PLAN
SCALE 1:10 MTS

DETAIL OF BASE PLATE

BID BULLETIN FOR THE RENOVATION OF MARCOS TYPE BUILDING