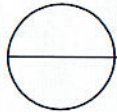
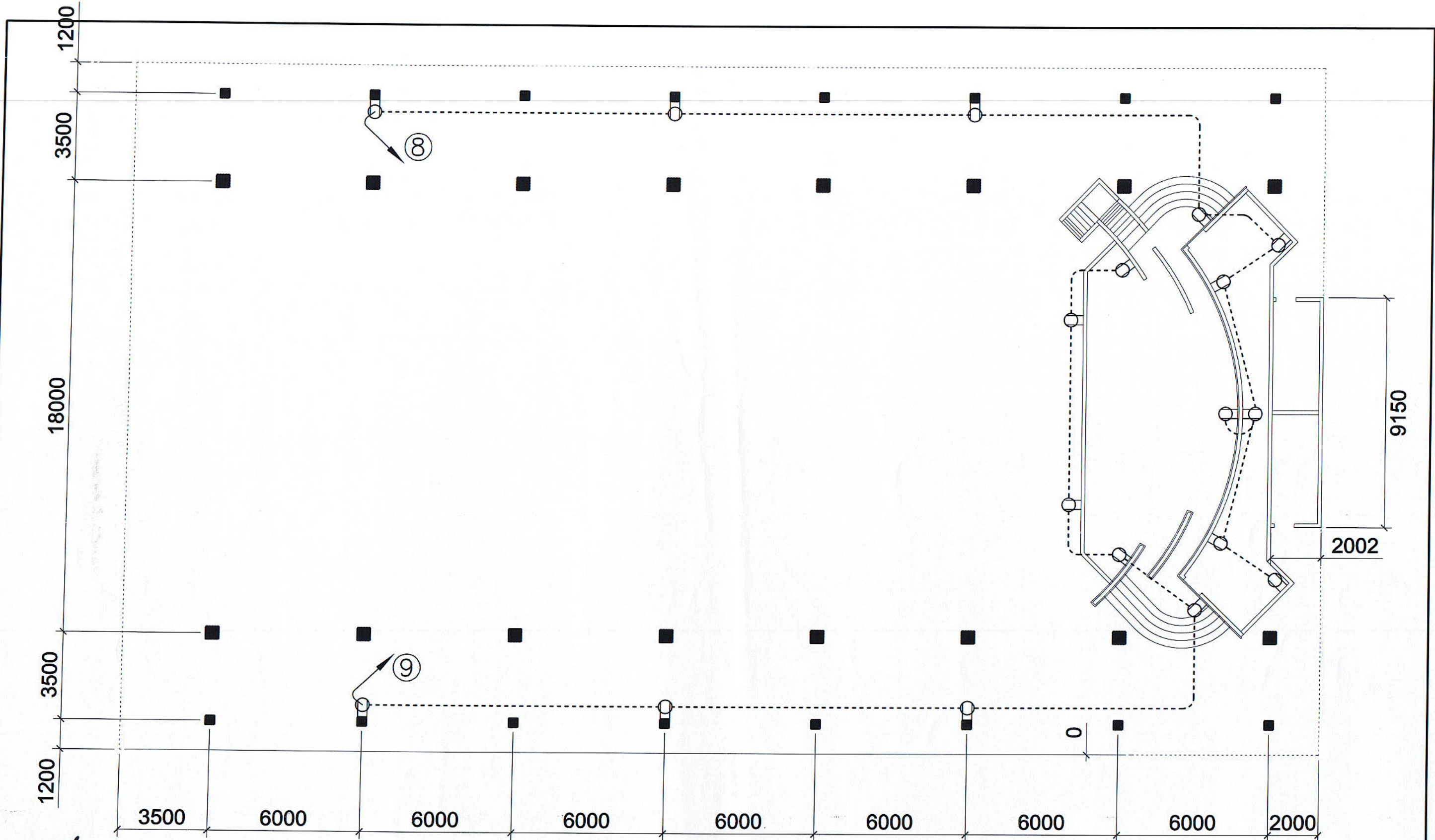


PREPARED BY:
[Signature]
 E. N. RODEROS JR.


LIGHTING LAYOUT
 SCALE 1 : 150 MTS.

PROFESSIONAL ELECTL. ENGR:	END USER:	ENDORSED BY:	REC. APPROVAL:	REC. APPROVAL:	APPROVED BY:	PROJECT TITLE/ LOCATION:	IMPLEMENTING AGENCY:	SHT NO:
<i>[Signature]</i> R. P. PEÑA	<i>[Signature]</i> C. M. SIGNO DEAN CARMONA CAMPUS	<i>[Signature]</i> O. B. DELOS REYES DIR. PLANNING OFFICE	<i>[Signature]</i> M. M. ESCOBAR VPPD CVSU	<i>[Signature]</i> C. A. POLINGA VPASS CVSU	<i>[Signature]</i> H. D. ROBLES PRES CVSU	CONST. OF COVERED COURT CVSU, CARMONA CAMPUS	CAVITE STATE UNIVERSITY	8



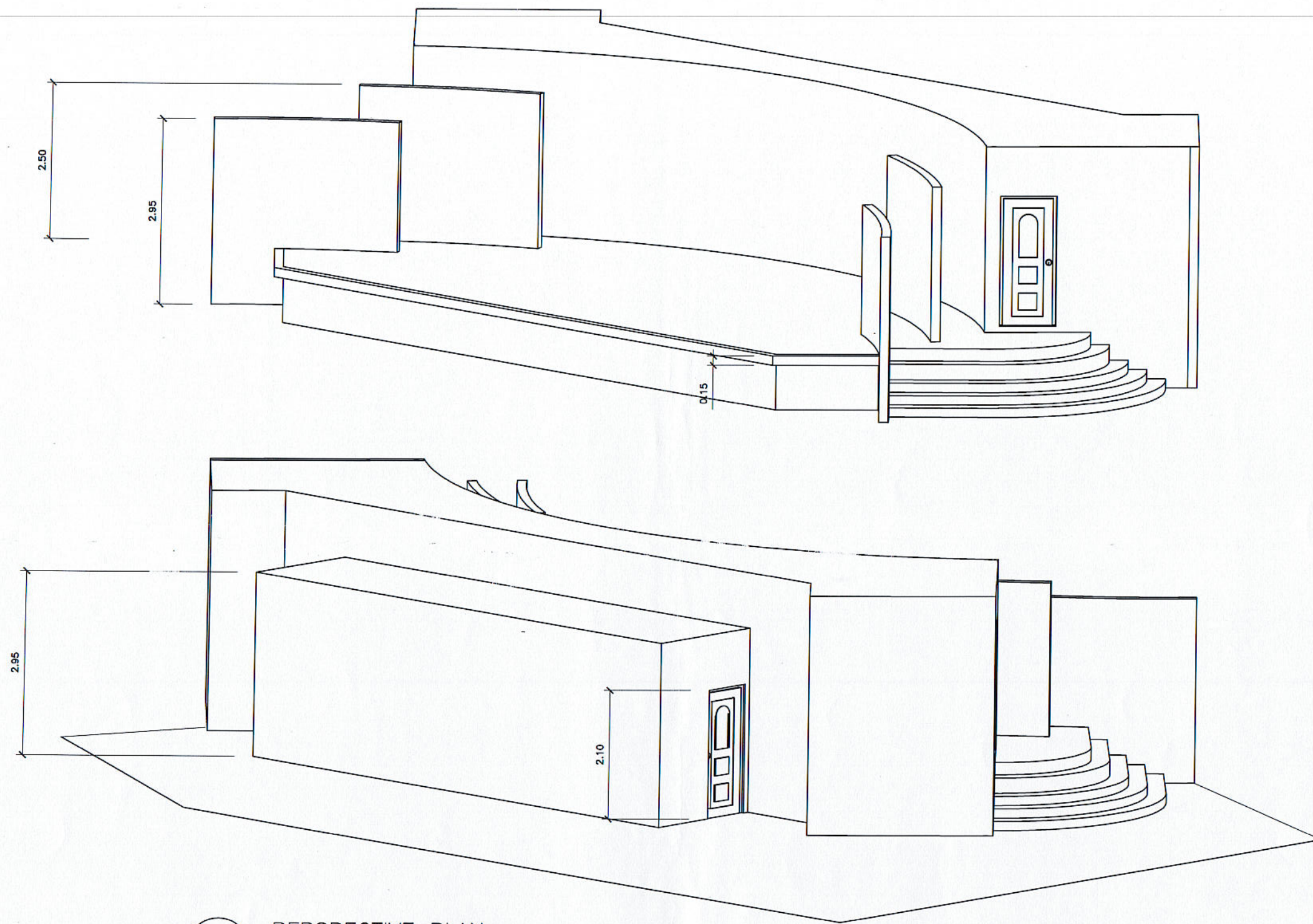
POWER LAYOUT

SCALE 1 : 150 MTS.

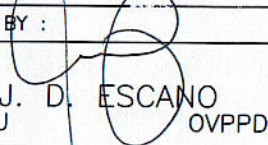
PREPARED BY:

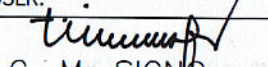
E. N. RODEROS JR.

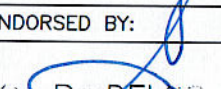
PROFESSIONAL ELECTL. ENGR: R. P. PEMA	END USER: C. M. SIGNO DEAN CARMONA CAMPUS	ENDORSED BY: O. B. DELOS REYES DIR. PLANNING OFFICE	REC. APPROVAL: M. M. ESCOBAR VPPD CVSU	REC. APPROVAL: C. A. POLINGA VPASS CVSU	APPROVED BY: H. D. ROBLES PRES CVSU	PROJECT TITLE/ LOCATION: CONST. OF COVERED COURT CVSU, CARMONA CAMPUS	IMPLEMENTING AGENCY: CAVITE STATE UNIVERSITY	SHT NO: 9
---	--	--	---	--	--	--	--	---------------------

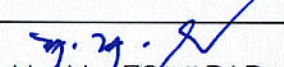


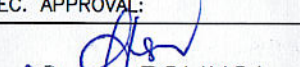

PERSPECTIVE PLAN
 SCALE 1:75 MTS.

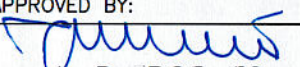
CADD BY :

 J. D. ESCANO
 PPU OVPPD

END USER:

 C. M. SIGNO
 DEAN CARMONA CAMPUS

ENDORSED BY:

 U. B. DELOS REYES
 DIRECTOR PLANNING OFFICE


 M. M. ESCOBAR
 VPPD CVSU

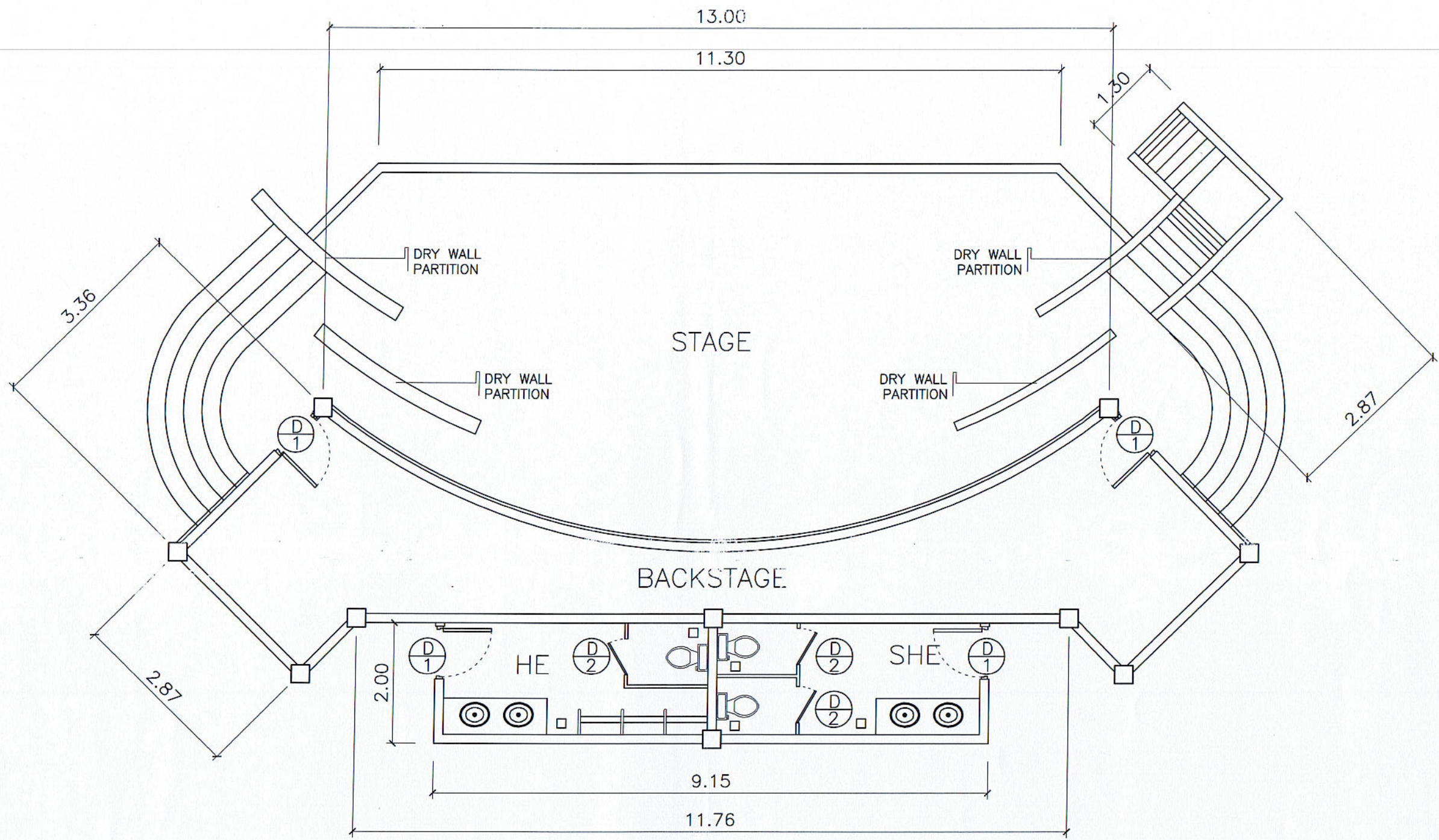
REC. APPROVAL:

 C. A. POLINGA
 VPASS CVSU

APPROVED BY:

 H. D. ROBLES
 PRES CVSU

PROJECT TITLE/ LOCATION:
 PROPOSED STAGE FOR CVSU
 CARMONA CAMPUS
 CAVITE STATE UNIVERSITY CARMONA CAMPUS

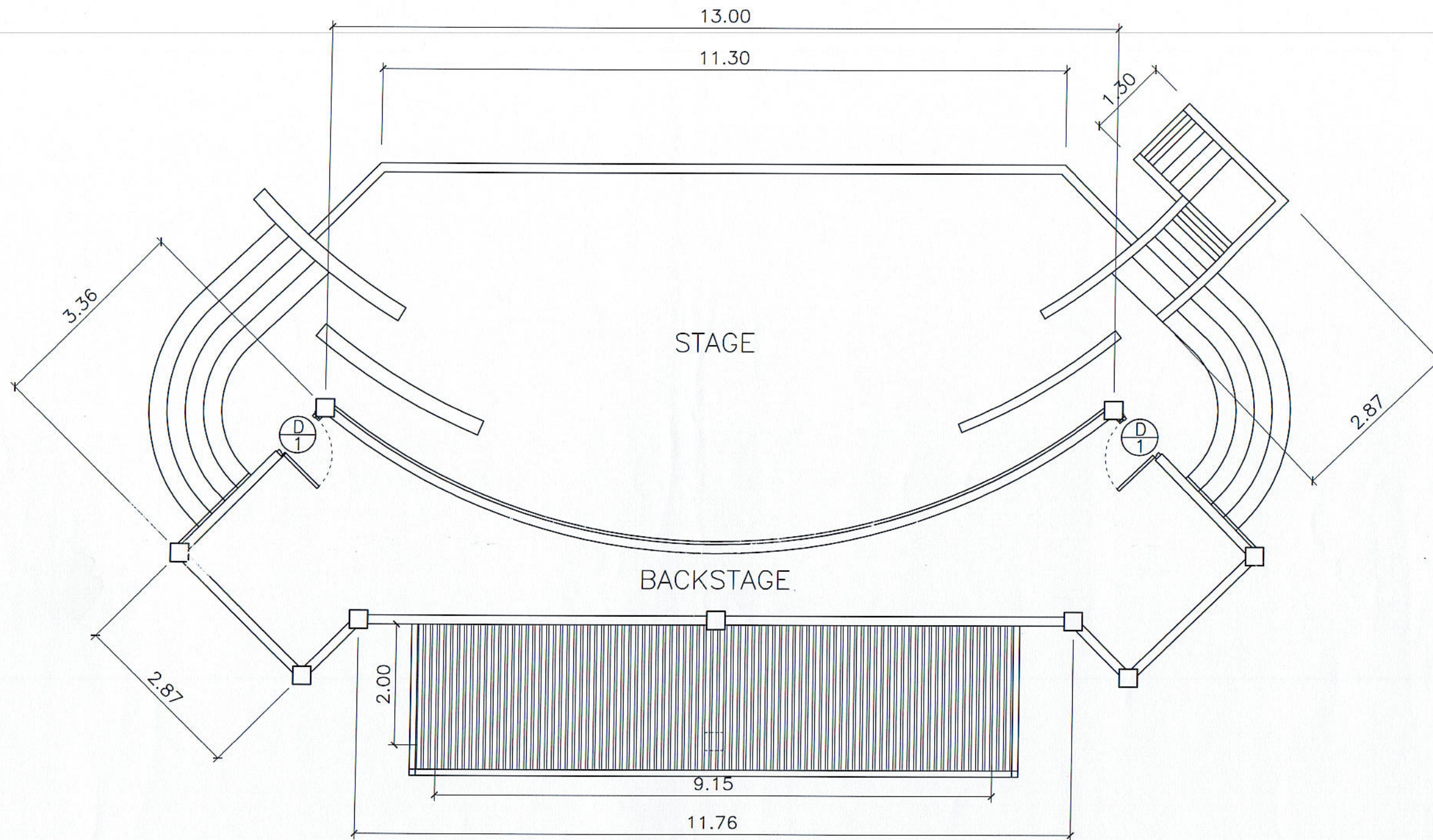
IMPLEMENTING AGENCY
 CAVITE STATE UNIVERSITY

SHT NO:
 A - 1

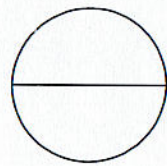



SCALE
1 : 75 MTS

CADD BY : <i>J. D. ESCANO</i> PPU		ENDORSED BY: <i>O. B. DELUS REYES</i> O. B. DELUS REYES DIRECTOR PLANNING OFFICE		REC. APPROVAL: <i>M. M. ESCOBAR</i> M. M. ESCOBAR VPPD CVSU	APPROVED BY: <i>C. A. POLINGA</i> C. A. POLINGA VPASS CVSU	APPROVED BY: <i>H. L. ROBLES</i> H. L. ROBLES PRES CVSU	PROJECT TITLE/ LOCATION: PROPOSED STAGE FOR CVSU CARMONA CAMPUS CAVITE STATE UNIVERSITY CARMONA CAMPUS	IMPLEMENTING AGENCY CAVITE STATE UNIVERSITY	SHT NO: A - 2
END USER: <i>C. M. SIGNO</i> C. M. SIGNO DEAN CARMONA CAMPUS									



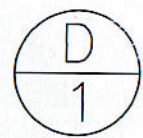
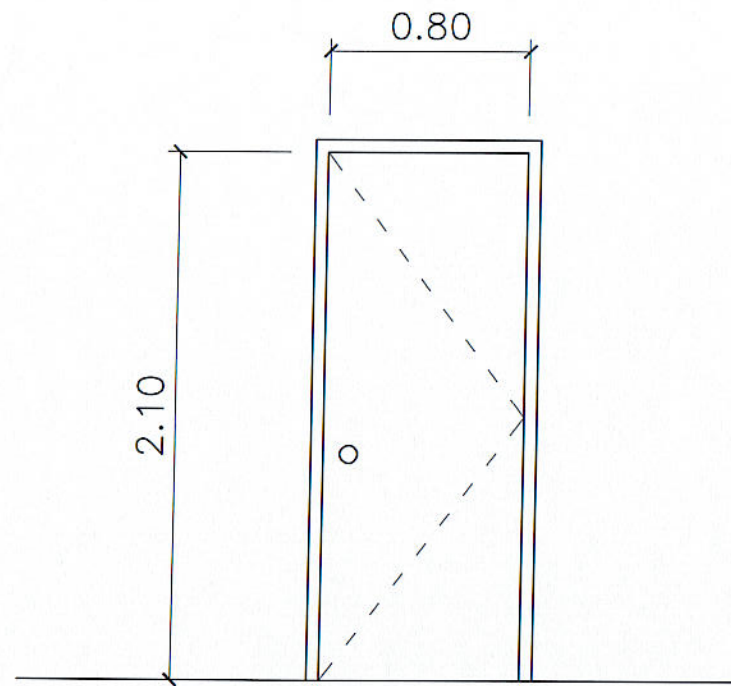
ROOF PLAN



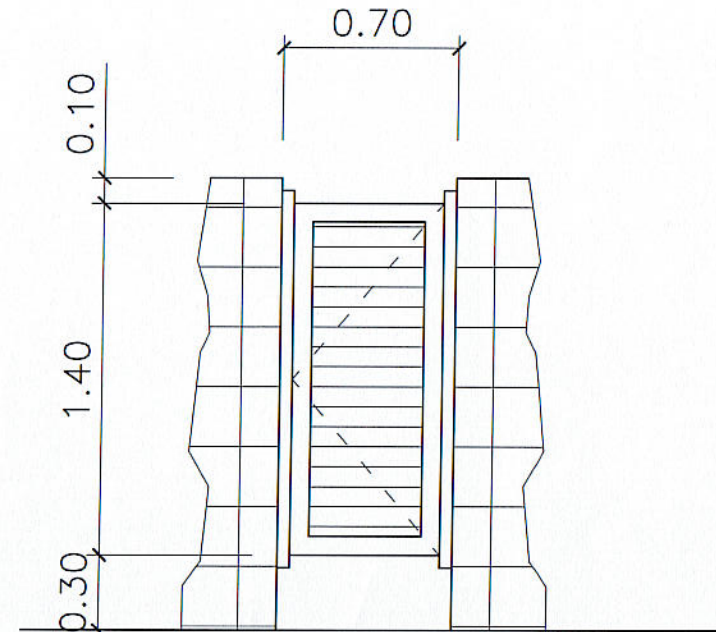
SCALE

1 : 75 MTS

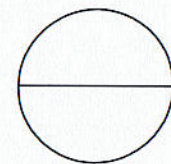
CADD BY : <i>J. D. ESCANO</i> PPU		ENDORSED BY: <i>O. B. DELOS REYES</i> O. B. DELOS REYES DIRECTOR PLANNING OFFICE		REC. APPROVAL: <i>C. A. POLINGA</i> C. A. POLINGA VPASS CVSU	APPROVED BY: <i>H. D. ROBLES</i> H. D. ROBLES PRES CVSU	PROJECT TITLE/ LOCATION: PROPOSED STAGE FOR CVSU CARMONA CAMPUS CAVITE STATE UNIVERSITY CARMONA CAMPUS	IMPLEMENTING AGENCY CAVITE STATE UNIVERSITY	SHT NO: A - 3
END USER: <i>C. M. SIGNO</i> C. M. SIGNO DEAN CARMONA CAMPUS		M. M. ESCOBAR VPPD CVSU						



0.80 X 2.10 SOLID STEEL DOOR
W/ COMPLETE ACCESSORIES
4 SETS



0.60 X 1.40 ALUMINUM FRAME DOOR
W/ 1/4" THK. FROSTED GLASS & COMPLETE
ACCESSORIES
5 SETS

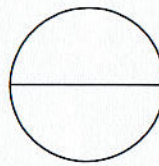
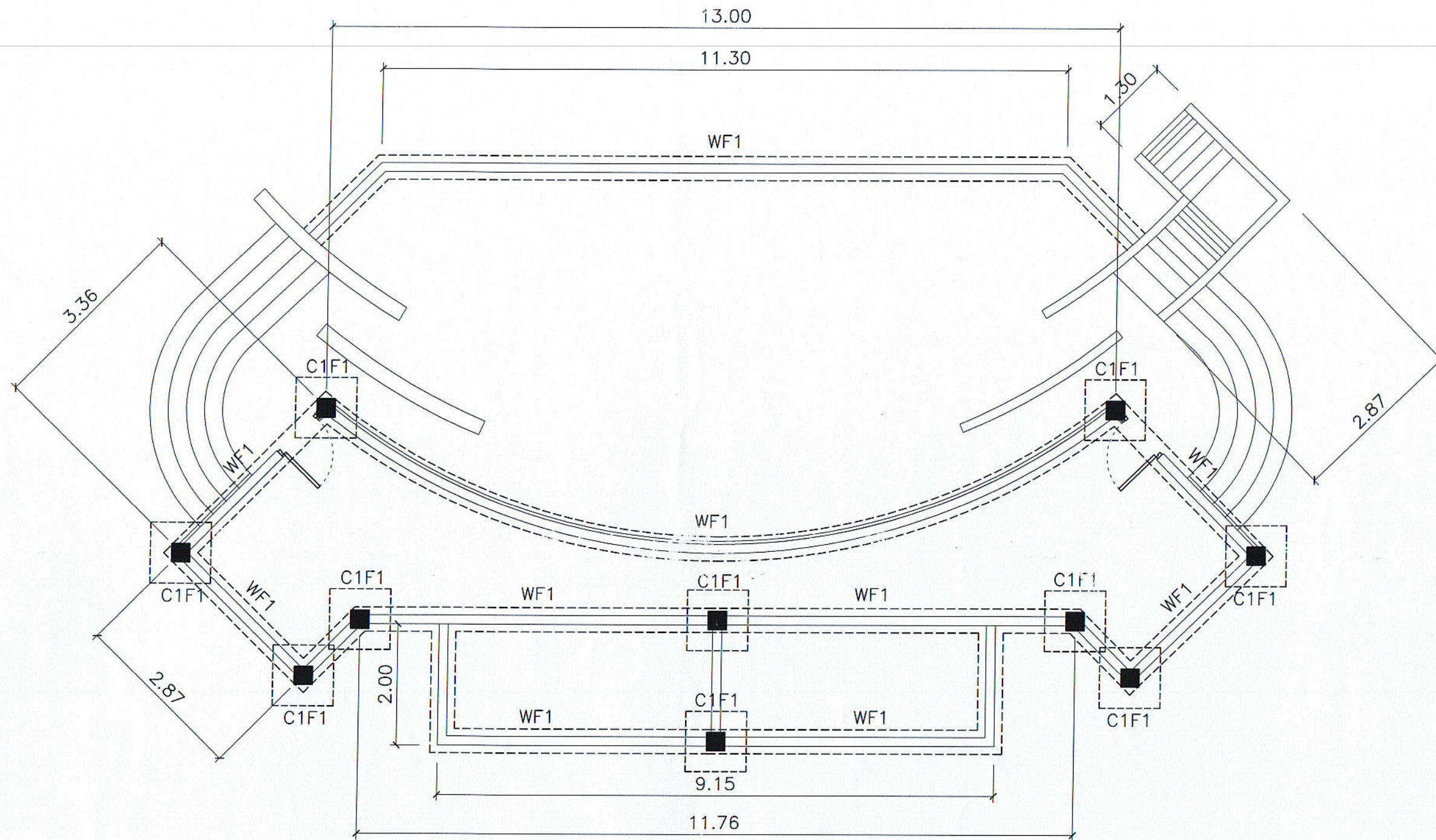


SCHEDULE OF DOORS

SCALE

1 :30 MTS

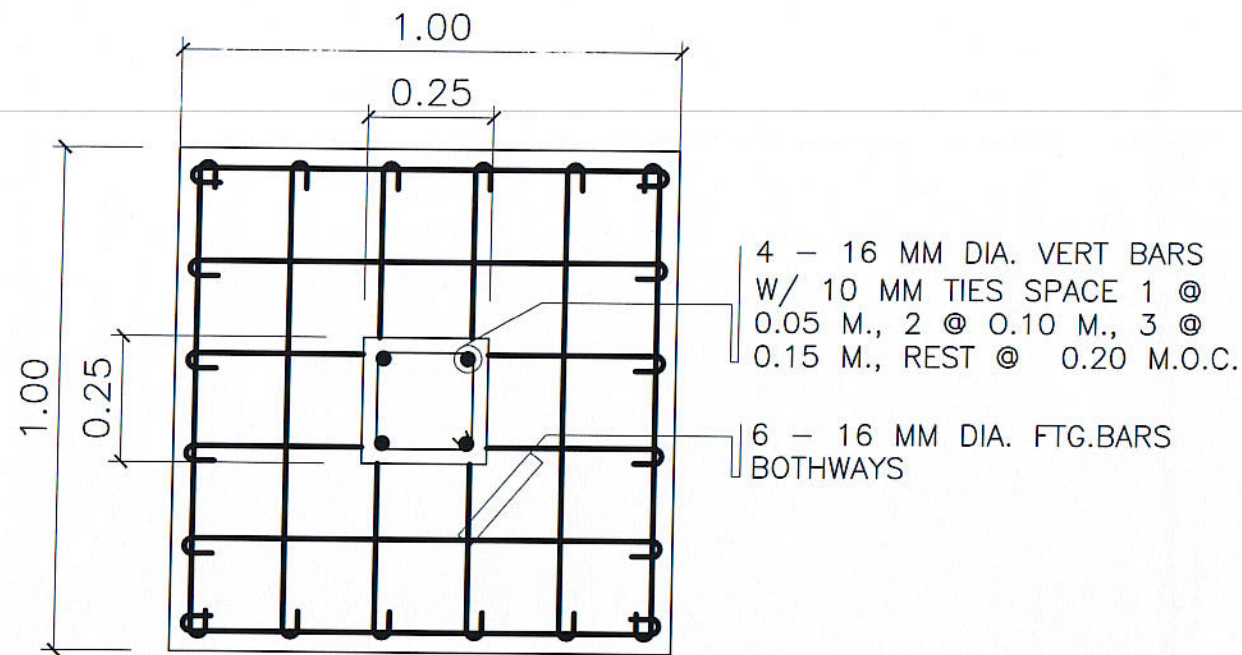
CADD BY : <i>J. D. ESCANO</i> PPU		ENDORSED BY: <i>O. B. DELOS REYES</i> O. B. DELOS REYES DIRECTOR PLANNING OFFICE		REC. APPROVAL: <i>C. A. POLINGA</i> C. A. POLINGA VPASS CVSU	APPROVED BY: <i>H. D. ROBLES</i> H. D. ROBLES PRES CVSU	PROJECT TITLE/ LOCATION: PROPOSED STAGE FOR CVSU CARMONA CAMPUS CAVITE STATE UNIVERSITY CARMONA CAMPUS	IMPLEMENTING AGENCY CAVITE STATE UNIVERSITY	SHT NO: A - 4
END USER: <i>C. M. SIGNO</i> C. M. SIGNO DEAN CARMONA CAMPUS			M. M. ESCOBAR VPPD CVSU					



FOUNDATION PLAN

SCALE 1 : 75 MTS

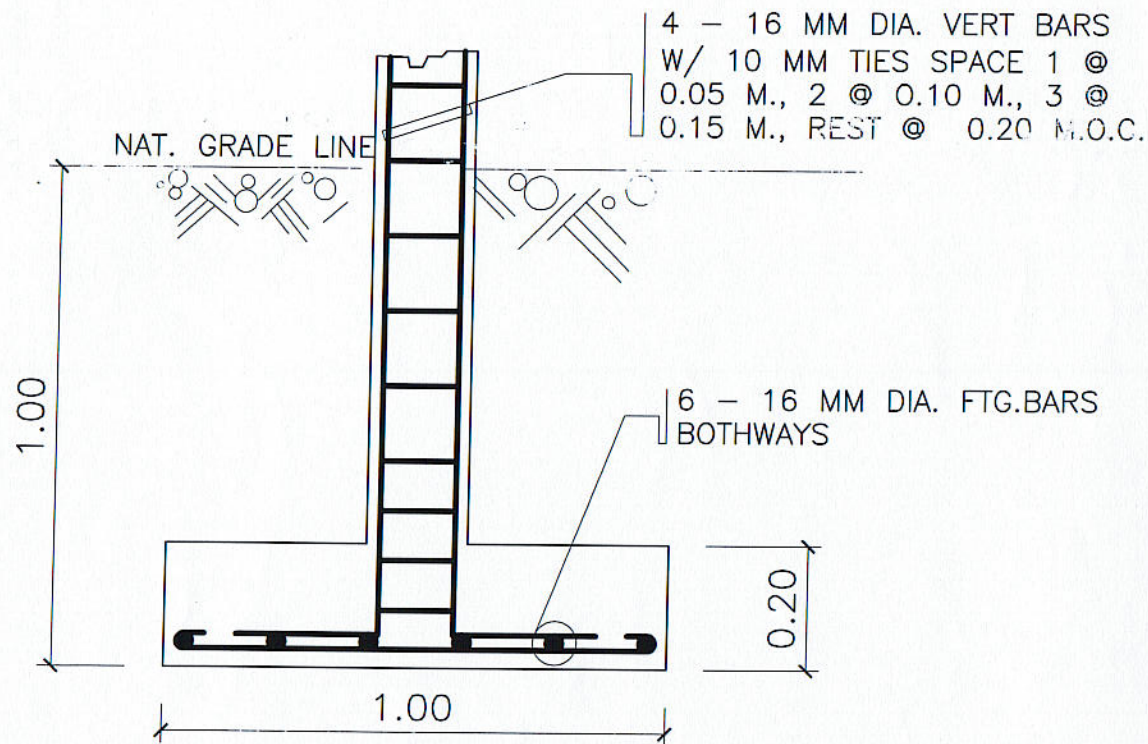
CADD BY : J. D. ESCANO PPU		CIVIL ENGINEER : L. E. ROCELA OVPPD		END USER: C. M. SIGNO DEAN CARMONA CAMPUS		ENDORSED BY: O. B. DELOS REYES DIRECTOR PLANNING OFFICE		REC. APPROVAL: M. M. ESCOBAR VPPD CVSU		APPROVED BY: C. A. POLINGA VPASS CVSU		APPROVED BY: H. D. ROBLES PRES CVSU		PROJECT TITLE/ LOCATION: PROPOSED STAGE FOR CVSU CARMONA CAMPUS CAVITE STATE UNIVERSITY		IMPLEMENTING AGENCY CAVITE STATE UNIVERSITY		SHT NO: S - 1	
----------------------------------	--	---	--	--	--	--	--	---	--	--	--	--	--	--	--	--	--	------------------	--



4 - 16 MM DIA. VERT BARS
W/ 10 MM TIES SPACE 1 @
0.05 M., 2 @ 0.10 M., 3 @
0.15 M., REST @ 0.20 M.O.C.

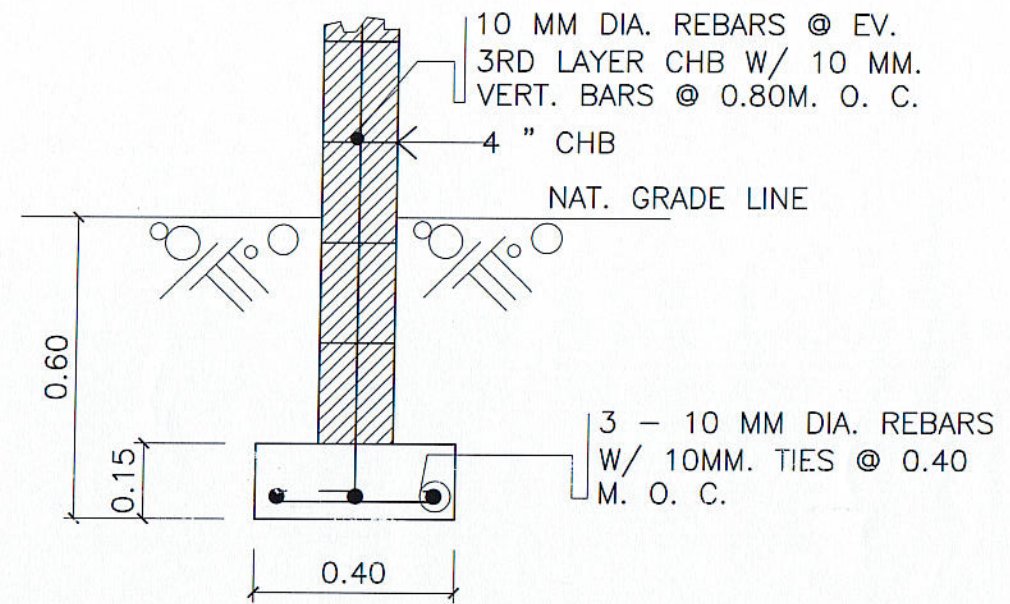
6 - 16 MM DIA. FTG.BARS
BOTHWAYS

P L A N

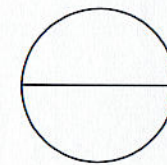


4 - 16 MM DIA. VERT BARS
W/ 10 MM TIES SPACE 1 @
0.05 M., 2 @ 0.10 M., 3 @
0.15 M., REST @ 0.20 M.O.C.

6 - 16 MM DIA. FTG.BARS
BOTHWAYS



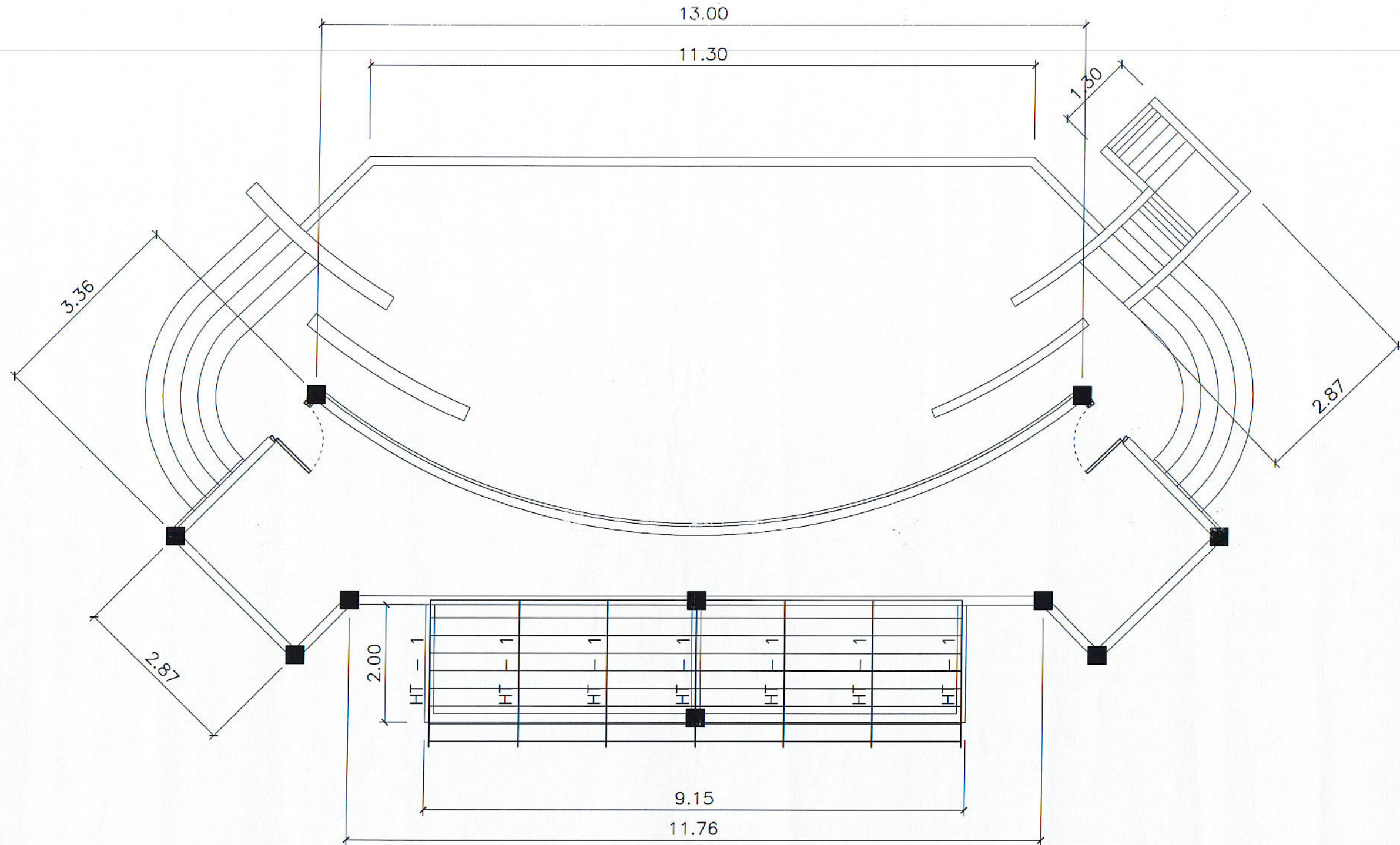
DETAILS OF COLUMN FOOTING
AND WALL FOOTING



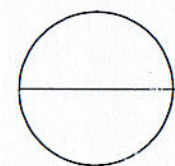
SCALE

1 : 15 MTS

CADD BY : J. D. ESCANO PPU		CIVIL ENGINEER : L. E. ROCEDA OVPPD		END USER: C. M. SIGNO DEAN CARMONA CAMPUS		ENDORSED BY: O. B. DELOS REYES DIRECTOR PLANNING OFFICE		REC. APPROVAL: M. M. ESCOBAR VPPD CVSU		APPROVED BY: C. A. FOLINGA VPASS CVSU		APPROVED BY: H. D. ROBLES PRES CVSU		PROJECT TITLE/ LOCATION: PROPOSED STAGE FOR CVSU CARMONA CAMPUS CAVITE STATE UNIVERSITY CARMONA CAMPUS		IMPLEMENTING AGENCY CAVITE STATE UNIVERSITY		SHT NO: S - 2	
----------------------------------	--	---	--	--	--	--	--	---	--	--	--	--	--	--	--	--	--	------------------	--



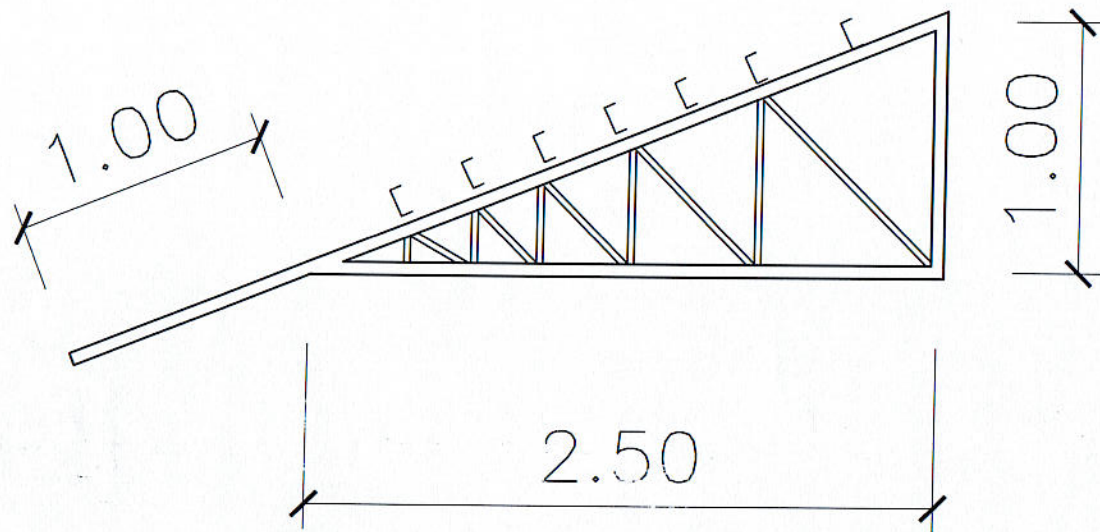
ROOF FRAMING PLAN



SCALE

1 : 75 MTS

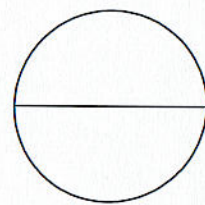
CADD BY : J. D. ESCANO PPU		CIVIL ENGINEER : L. E. ROSCELA PPU		REC. APPROVAL: C. ALPOLINGA VPASS		APPROVED BY: H. D. ROBLES PRES		PROJECT TITLE/ LOCATION: PROPOSED STAGE FOR CVSU CARMONA CAMPUS		IMPLEMENTING AGENCY CAVITE STATE UNIVERSITY		SHT NO: S - 3
END USER: C. M. SIGNO DEAN		ENDORSED BY: O. B. DELOS REYES DIRECTOR		M. M. ESCOBAR VPPD		C. ALPOLINGA CVSU		CAVITE STATE UNIVERSITY CARMONA CAMPUS				



NOTE:

USE THE FOLLOWING:

- 2 - 2" x 2" x 1/4" ANGULAR BAR FOR TOP CHORDS
- 2 - 2" x 2" x 1/4" ANGULAR BAR FOR BOTTOM CHORDS
- 2 - 2" x 2" x 1/4" ANGULAR BAR FOR KING POSTS
- 2 - 1 1/2" x 1 1/2" x 1/4" ANGULAR BAR FOR WEB MEMBERS
- 2" x 4" x 1.5mm CEE PURLINS

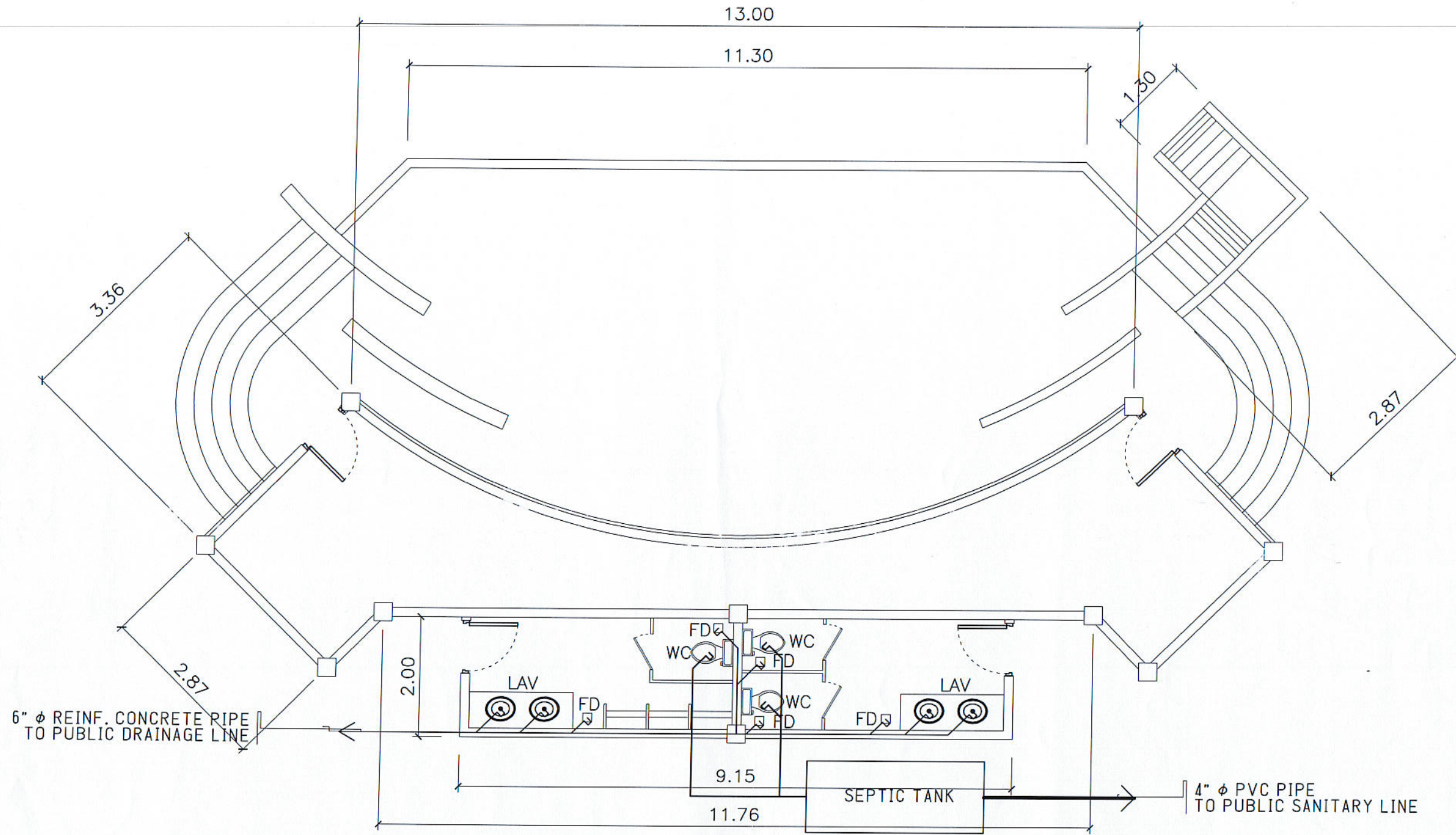


DETAILS OF TRUSSES

SCALE

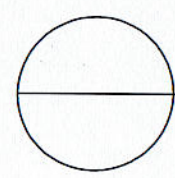
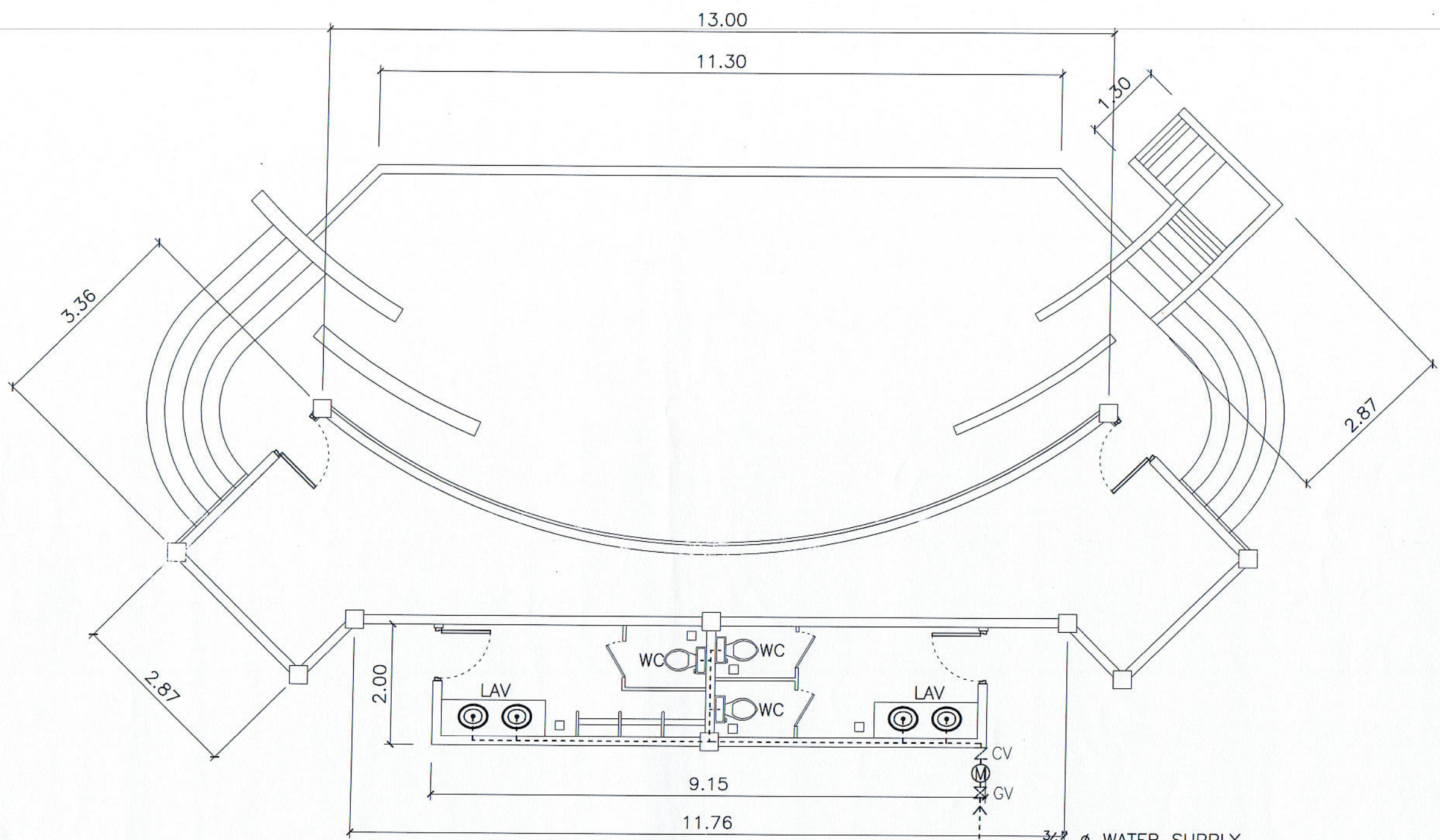
1 : 30 MTS

CADD BY : J. D. ESCANO PPU		CIVIL ENGINEER : L. E. ROCELA PPU		END USER: C. M. SIGNO DEAN		ENDORSED BY: O. B. DELOS REYES DIRECTOR		REC. APPROVAL: M. M. ESCOBAR VPPD		APPROVED BY: C. A. POLINGA VPASS		PROJECT TITLE/ LOCATION: PROPOSED STAGE FOR CVSU CARMONA CAMPUS CAVITE STATE UNIVERSITY		IMPLEMENTING AGENCY CAVITE STATE UNIVERSITY		SHT NO: S - 4	
----------------------------------	--	---	--	----------------------------------	--	---	--	---	--	--	--	--	--	--	--	------------------	--



DRAIN AND SEWER LAYOUT
 SCALE 1 : 75 MTS

CADD BY :	MASTER PLUMBER :									
J. D. ESCANO PPU	S. B. BAYOT JR. PPU									
END USER:	ENDORSED BY:		REC. APPROVAL:	APPROVED BY:	PROJECT TITLE/ LOCATION:		IMPLEMENTING AGENCY	SHT NO:		
C. M. SIGNO DEAN CARMONA CAMPUS	O. B. DELOS REYES DIRECTOR PLANNING OFFICE		M. M. ESCOBAR VPPD CVSU	J. C. POLINGA VPASS CVSU	H. D. ROBLES PRES CVSU		PROPOSED STAGE FOR CVSU CARMONA CAMPUS CAVITE STATE UNIVERSITY	CAVITE STATE UNIVERSITY	P - 1	



COLD WATER SUPPLY LAYOUT

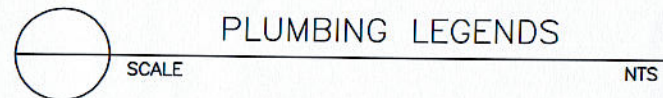
SCALE 1 : 75 MTS

3/4" ϕ WATER SUPPLY PIPE FROM LOCAL WATER PROVIDER

CADD BY : J. D. ESCANO PPU		MASTER PLUMBER : S. B. BAYOT JR. OVPPD		END USER: C. M. SIGNO DEAN CARMONA CAMPUS		ENDORSED BY: O. B. DELOS REYES DIRECTOR PLANNING OFFICE		REC. APPROVAL: M. M. ESCOBAR VPPD CVSU		APPROVED BY: C. A. POLINGA MPASS CVSU		H. D. ROBLES PRES CVSU		PROJECT TITLE/ LOCATION: PROPOSED STAGE FOR CVSU CARMONA CAMPUS CAVITE STATE UNIVERSITY CARMONA CAMPUS		IMPLEMENTING AGENCY CAVITE STATE UNIVERSITY		SHT NO: P - 2	
----------------------------------	--	--	--	--	--	--	--	---	--	--	--	------------------------------	--	--	--	--	--	------------------	--

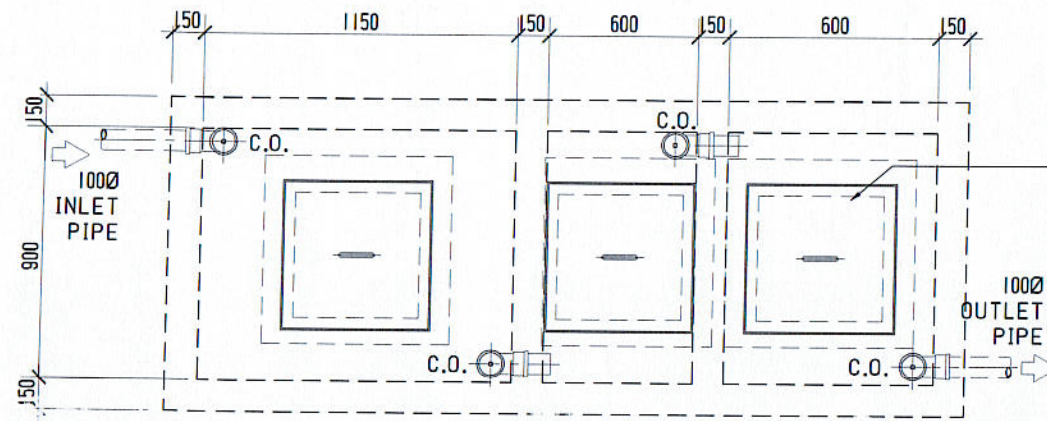
- 4" ϕ PVC PIPE WASTE LINE
- 2" ϕ PVC PIPE DRAINAGE LINE
- - - - - 1/2" ϕ PVC PIPE COLD WATER LINE
- - - - - 6" ϕ CONCRETE PIPE DRAINAGE LINE

- WC WATER CLOSET
- LAV LAVATORY
- HB HOSE BIBB
- CB CATCH BASIN
- CO CLEAN OUT
- FD FLOOR DRAIN
- GV GATE VALVE
- CV CHECK VALVE
- M WATER METER

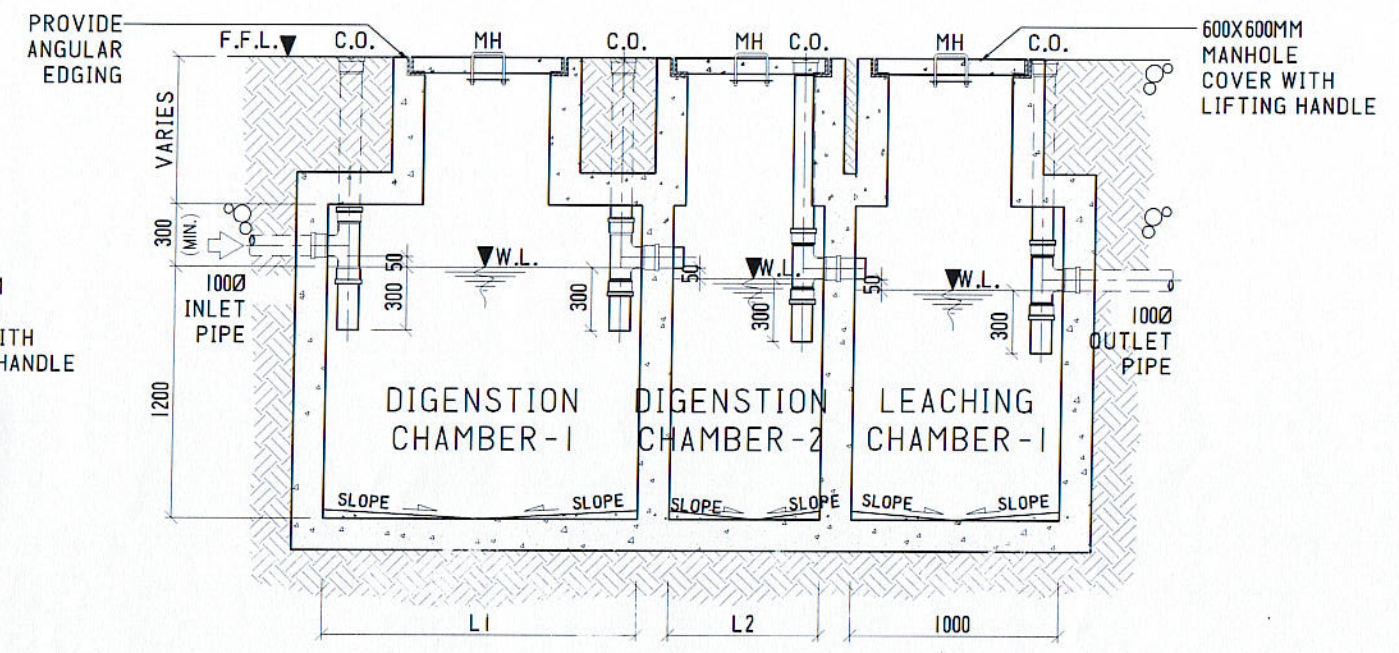


1. ALL PLUMBING WORKS INCLUDED HEREIN SHALL BE EXECUTED IN ACCORDANCE TO THE PROVISION OF THE PHILIPPINE PLUMBING CODE, THE NATIONAL BUILDING CODE AND THE RULES AND REGULATIONS OF THE LOCAL MUNICIPALITY.
2. COORDINATE THE DRAWINGS WITH OTHER RELATED DRAWINGS AND SPECIFICATIONS. THE ENGINEER AND/OR THE ARCHITECT SHALL BE NOTIFIED IMMEDIATELY OF ANY DISCREPANCY FOUND HEREIN.
3. ALL PIPES SHALL BE INSTALLED AS INDICATED, ANY RELOCATION REQUIRED FOR PROPER EXECUTION OF THE PLUMBING WORK SHALL BE WITH PRIOR APPROVAL OF THE ENGINEER AND/OR THE ARCHITECT.
4. PROPOSED SANITARY UTILITIES SHALL CONFORM TO THE ACTUAL LOCATION, DEPTH AND INVERT ELEVATIONS OF ALL EXISTING PIPES AND STRUCTURES AS VERIFIED BY THE CONTRACTOR.
5. ALL SLOPES FOR HORIZONTAL DRAINAGE SHALL MAINTAIN ONE PERCENT (0.01) AND ONE-HALF PERCENT (0.005) MINIMUM UNLESS OTHERWISE SPECIFIED.
6. WATER SUPPLY PIPE TO FIXTURE SHALL BE SIZED IN ACCORDANCE WITH THE MANUFACTURER'S RECOMMENDATIONS.
7. ALL BRANCHES OF FIXTURE OR GROUP OF FIXTURES SHALL BE PROVIDED WITH AIR CHAMBER MADE OF CAPPED VERTICAL EXTENSION PIPE.
8. ALL WATER LINES SHALL BE HYDROSTATICALLY TESTED @ 100 PSI FOR A PERIOD OF TWO(2) HOURS BEFORE BURIED OR COVERED. POLYPROPYLENE PIPE (P.P.R.)
9. THE CONTRACTOR SHALL VERIFY ALL EXISTING UTILITIES @ SITE AND COORDINATE THE WORK WITH THE SEWER AND STORM DRAINAGE LINE EFFLUENT DISPOSAL POINT AND WATERLINE SERVICE CONNECTING/TAPPING POINT.
10. ALL PIPE SIZES AND OTHER DIMENSIONS ARE IN MILLIMETER (MM) UNLESS OTHERWISE SPECIFIED AND ARE INDICATIVE OF INSIDE DIAMETER.

CADD BY : J. D. ESCANO PPU OVPPD		MASTER PLUMBER : S. B. BAYOT JR. PPU OVPPD		END USER: C. M. SIGNO DEAN CARMONA CAMPUS		ENDORSED BY: O. B. DELOS REYES DIRECTOR PLANNING OFFICE		REC. APPROVAL: M. M. ESCOBAR VPPD CVSU		APPROVED BY: C. A. POLINGA VPASS CVSU		H. D. ROBLES PRES CVSU		PROJECT TITLE/ LOCATION: PROPOSED STAGE FOR CVSU CARMONA CAMPUS CAVITE STATE UNIVERSITY CARMONA CAMPUS		IMPLEMENTING AGENCY CAVITE STATE UNIVERSITY		SHT NO: P - 3	
--	--	--	--	---	--	---	--	--	--	---	--	---------------------------	--	---	--	--	--	------------------	--



PLAN



SECTION

DETAILS OF SEPTIC TANK
 SCALE _____ NTS

CADD BY : J. D. ESCANO PPU		MASTER PLUMBER : S. B. BAYOT JR. OVPPD		END USER: C. M. SIGNO DEAN CARMONA CAMPUS		ENDORSED BY: O. B. DELOS REYES DIRECTOR PLANNING OFFICE		REC. APPROVAL: M. M. LSCOBAR VPPD CVSU		APPROVED BY: C. A. POLINGA VPASS CVSU		APPROVED BY: H. D. ROBLES PRES CVSU		PROJECT TITLE/ LOCATION: PROPOSED STAGE FOR CVSU CARMONA CAMPUS CAVITE STATE UNIVERSITY CARMONA CAMPUS		IMPLEMENTING AGENCY CAVITE STATE UNIVERSITY		SHT NO: P - 4	
----------------------------------	--	--	--	--	--	--	--	---	--	--	--	--	--	--	--	--	--	------------------	--