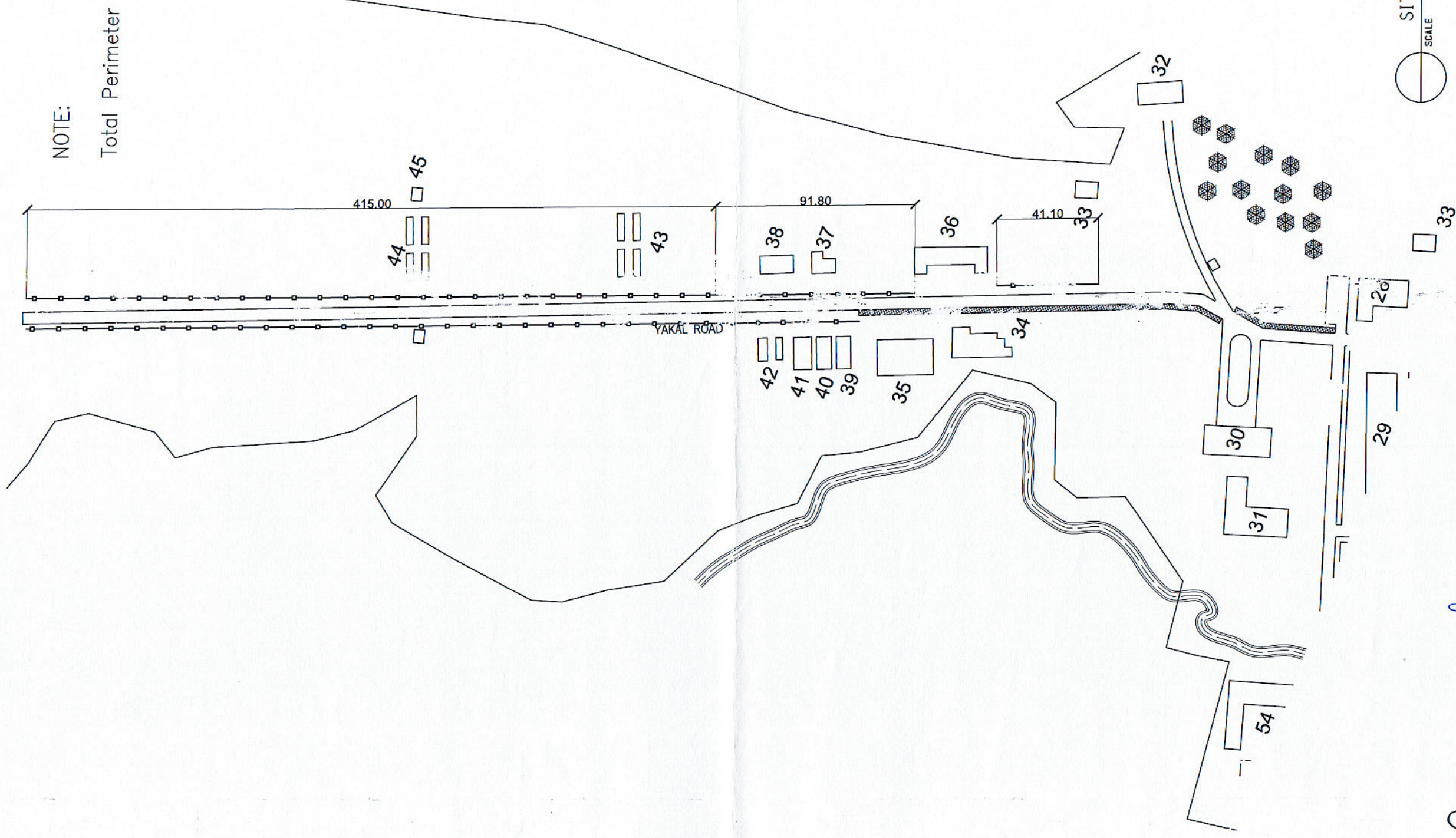


NOTE:

Total Perimeter Fence - 965 10 mts.



SCALE 1:2500 MTS.  
SITE DEVELOPMENT PLAN

CADD B  
J. B. ESCANO  
PPU  
OVPPD

END USER:  
A. POLINGA  
CVSU

ENDORSED BY:  
O. B. DELOS REYES  
DIRECTOR - PLANNING OFFICE

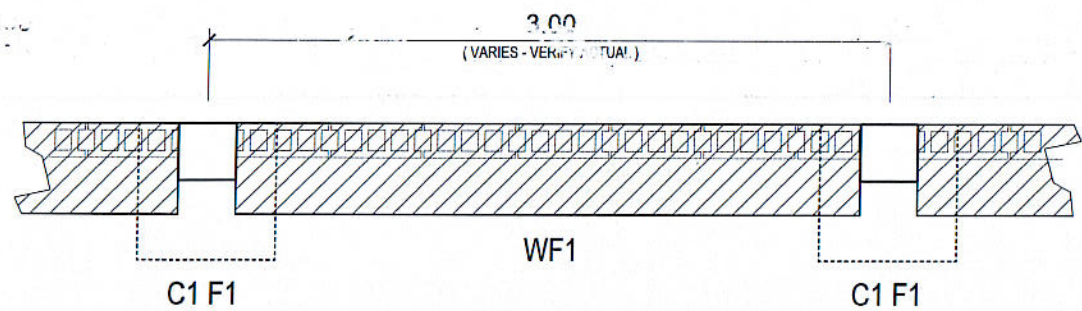
REC. APPROVAL:  
M. M. ESCOBAR  
VPPD  
CVSU

APPROVED BY:  
C. J. POLINGA  
VP-ASB  
CVSU

APPROVED BY:  
H. D. ROBLES  
PRES  
CVSU

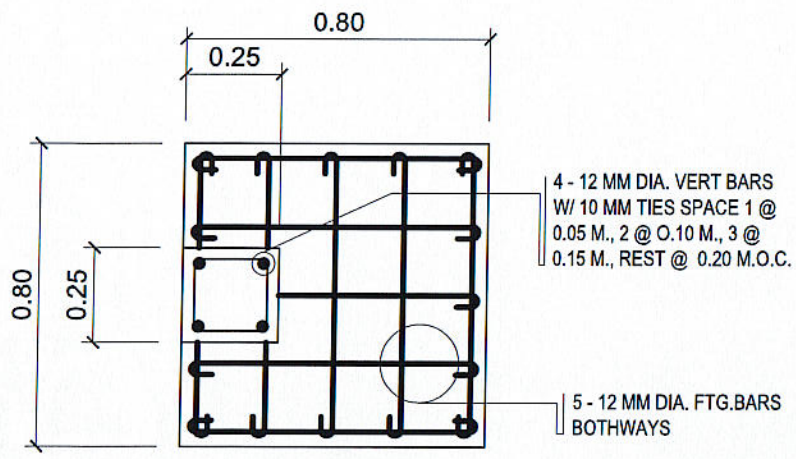
PROJECT TITLE/LOCATION:  
PROPOSED PERIMETER FENCE  
FOR ANIMAL PRODUCTION FARM  
CAVITE STATE UNIVERSITY  
MAIN CAMPUS

ISSUING AGENCY:  
CAVITE STATE UNIVERSITY  
SHT NO.:  
A - 1

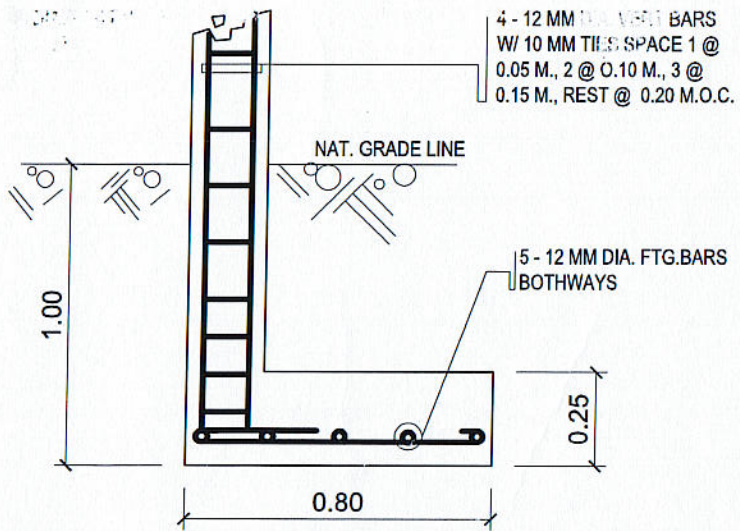


PLAN OF WALL FOOTING

NOT TO SCALE

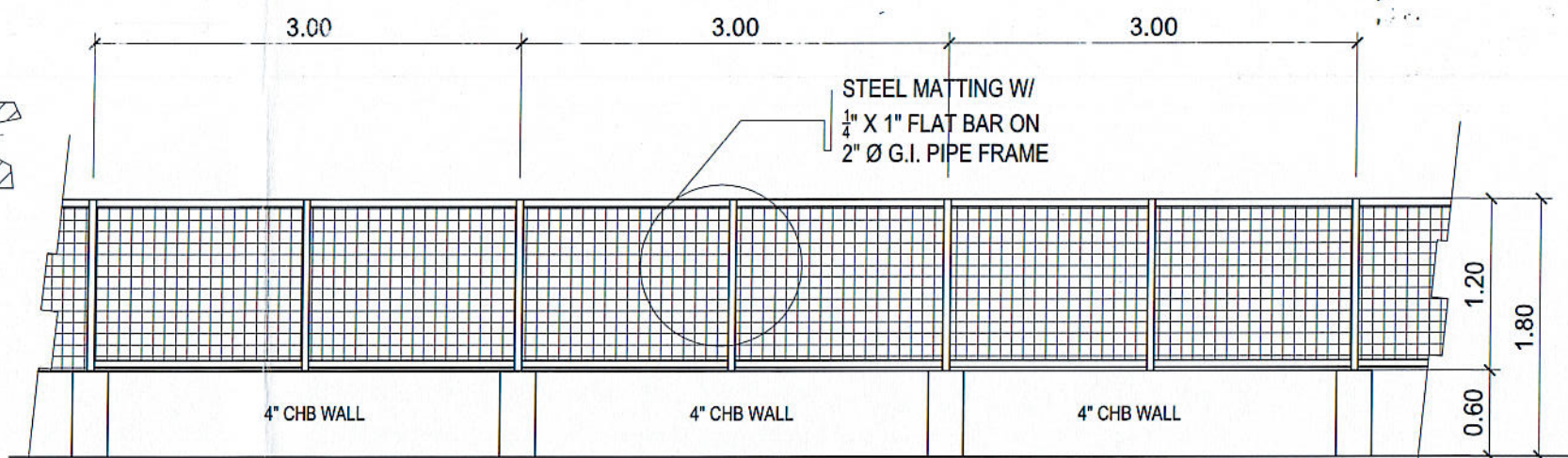


PLAN



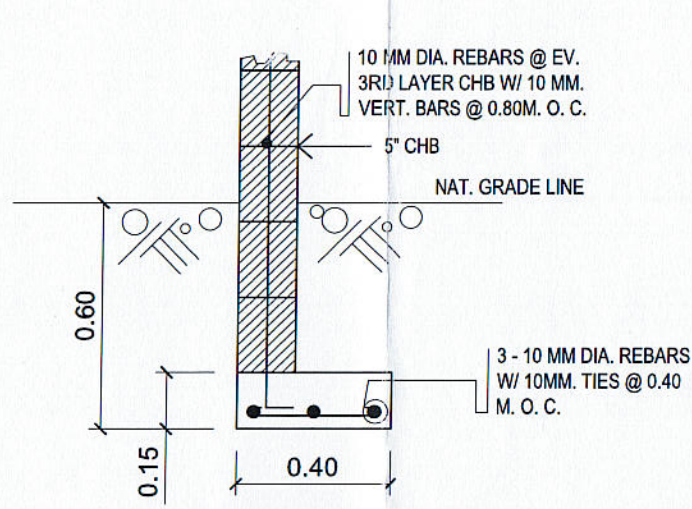
SECTION DET. SECTION OF C1 - F1

SCALE 1:20 MTS.



SIDE & BACK FENCE  
ELEV. OF CHB FENCE W/ CYCLONE WIRE & G.I. PIPE POST

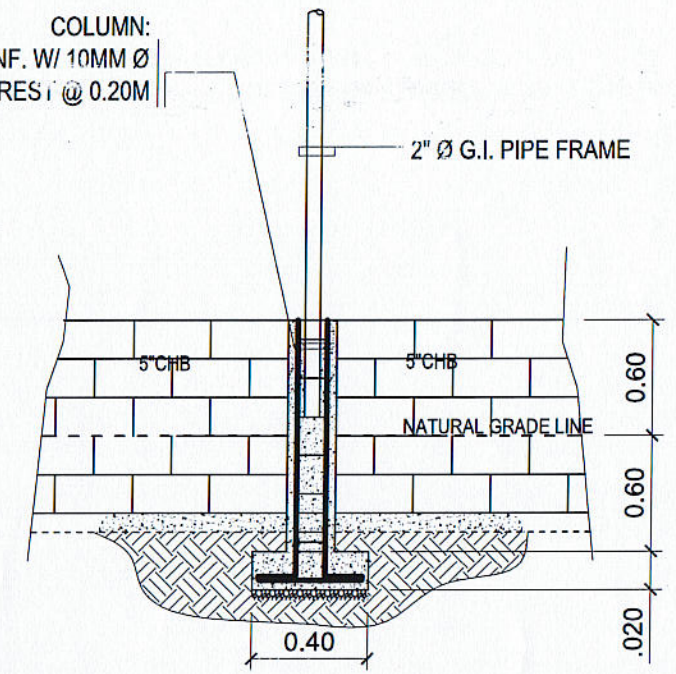
SCALE 1:50 MTS.



SECTION OF WF 1

DET. SECTION WF 1

SCALE 1:20 MTS.



DET. ELEV./ SEC. OF CHB FENCE

SCALE N.T.S.

DRAWN BY  E. N. RODEROS JR. PPU	PROJECT ENGINEER  L. E. ROCELA PPU	END-USER  CAMILO A. POLINGA CAVSU	ENDORSED BY  ORLANDO B. DE LOS REYES DIRECTOR PLANNING OFFICE	CHECKED BY  MARILYN M. ESCOBAR CAVSU	APPROVED BY  CAMILO A. POLINGA CAVSU	APPROVED BY  HERNANDO D. ROBLES PRESIDENT CAVSU	PROJECT TITLE/LOCATION PROPOSED PERIMETER FENCE CAVITE STATE UNIVERSITY MAIN CAMPUS	IMPLEMENTING AGENCY CAVITE STATE UNIVERSITY	SHEET NO. S / 1
--	---	--	--	---	---	--	---	--	--------------------