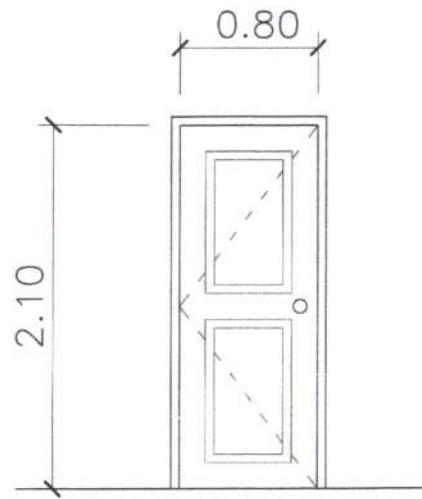
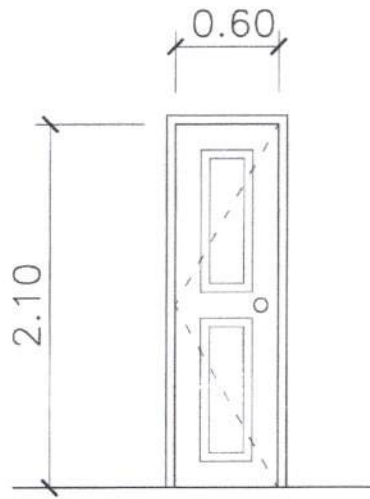



LOWER LEVEL FLOOR PLAN
 SCALE 1 : 150 MTS

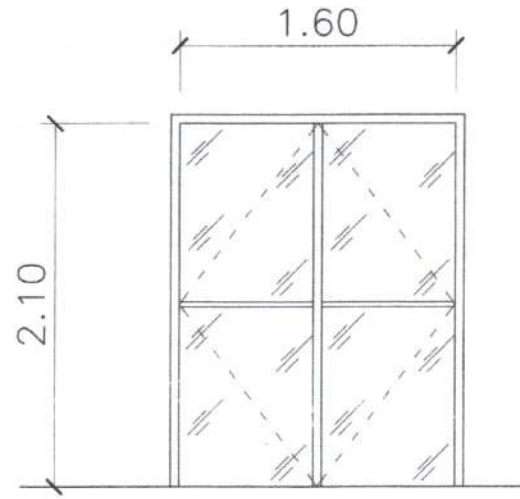
PREPARED BY:	END USER:	ENDORSED BY:	REC. APPROVAL:	APPROVED BY:	PROJECT TITLE/ LOCATION:	IMPLEMENTING AGENCY:	SHT NO.:
J. D. ESCANO PPU OVPPD	A. L. R. MOJICA DIRECTOR SPORTS	O. E. DELOS REYES DIRECTOR PLANNING OFFICE	M. M. ESCOBAR VPPD CVSU	C. A. PULINGA VPASSU CVSU	H. E. ROBLES PRES CVSU	REPAIR AND IMPROVEMENT OF LOWER LEVEL OF GRANDSTAND CAVITE STATE UNIVERSITY MAIN CAMPUS	CAVITE STATE UNIVERSITY A-11



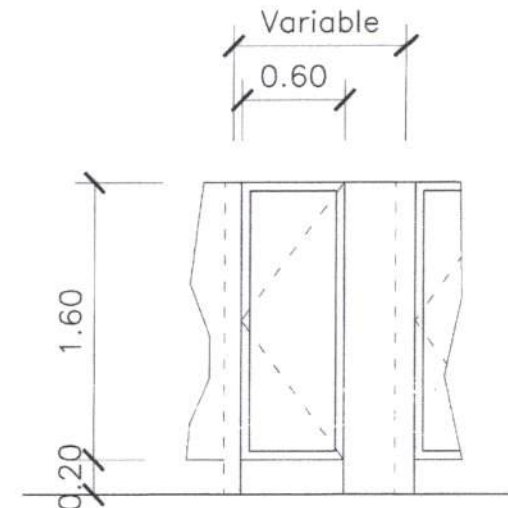
D
1 0.80M X 2.10M STEEL PANEL DOOR
COMPLETE W/ ALL ACCESSORIES
10 SETS



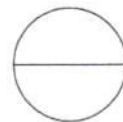
D
2 0.60M X 2.10M STEEL PANEL
DOOR COMPLETE W/ ALL
ACCESSORIES
6 SETS



D
3 1.60M X 2.10M DOUBLE SWING STEEL
PANEL DOOR COMPLETE W/ ALL
ACCESSORIES AND 1/4" THK. CLEAR GLASS
2 SETS



D
4 0.60M X 1.60M STAINLESS DOOR
PANEL COMPLETE W/ ALL
ACCESSORIES
12 SETS

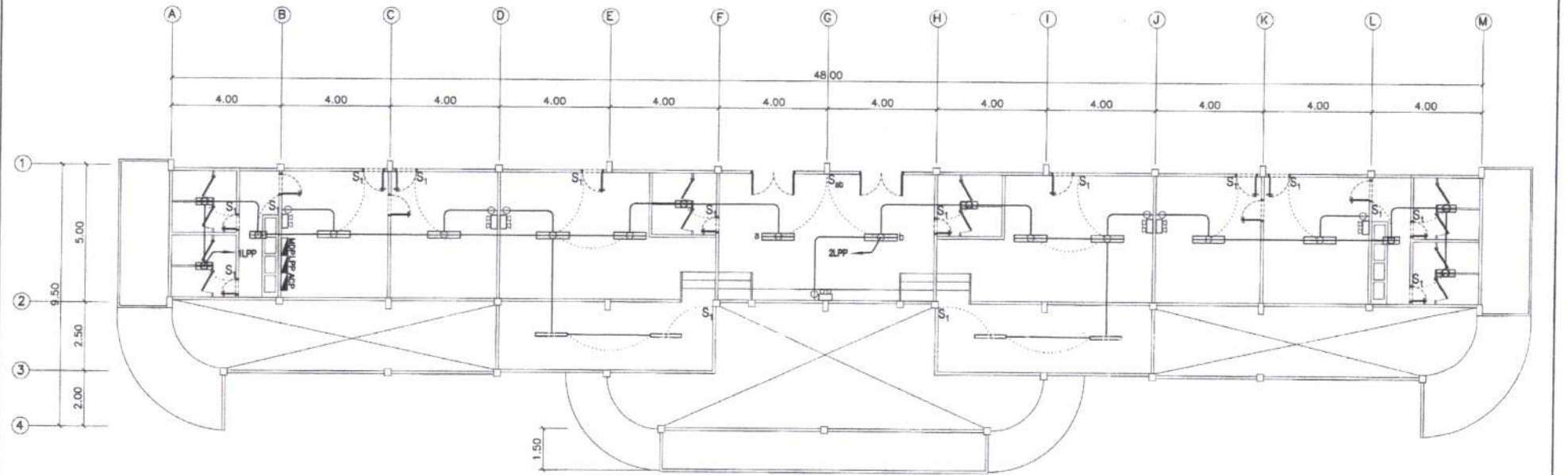


SCHEDULE OF DOORS

SCALE

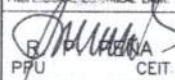
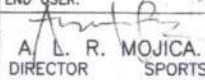
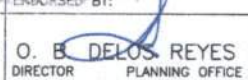



1 : 30 MTS

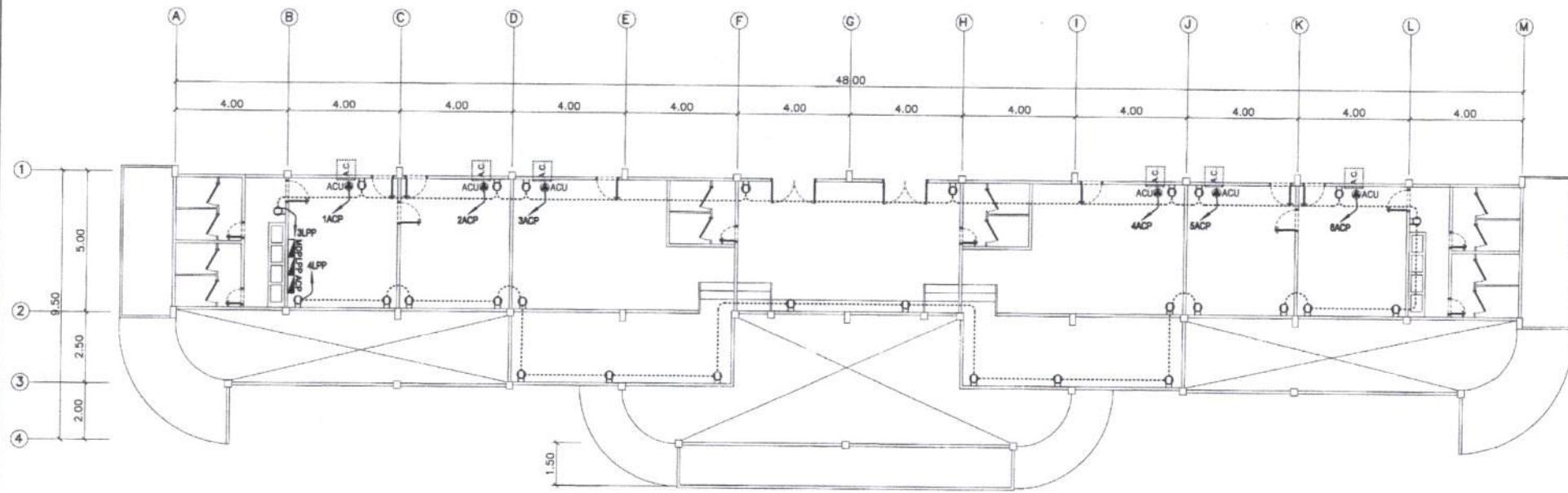
PREPARED BY:	END USER:	ENDORSED BY:	REC. APPROVAL:	APPROVED BY:	PROJECT TITLE/ LOCATION:	IMPLEMENTING AGENCY:	SHT NO:
J. D. ESCAÑO PPU	A. L. R. MOJICA DIRECTOR SPORTS	O. B. DELOS REYES DIRECTOR PLANNING OFFICE	M. M. ESCOBAR VPPD CVSU	C. A. POLINGA VPASS CVSU	H. D. ROBLES PRES CVSU	REPAIR AND IMPROVEMENT OF LOWER LEVEL OF GRANDSTAND CAVITE STATE UNIVERSITY MAIN CAMPUS	CAVITE STATE UNIVERSITY A - 2




LOWER GROUND LIGHTING LAYOUT
 SCALE 1 : 150 MTS

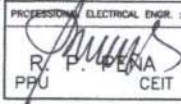
PREPARED BY:
 R. J. R. SANCHEZ
 PPU CVPPD

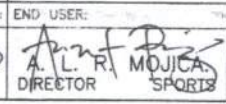
PROFESSIONAL ELECTRICAL ENGINEER:  R. J. R. SANCHEZ PPU CVPPD	END USER:  A. L. R. MOJICA DIRECTOR SPORTS	ENDORSED BY:  O. B. DE LOS REYES DIRECTOR PLANNING OFFICE	ENDORSED BY:  J. M. M. ESCOBAR VPPD CVSU	REC. APPROVAL:  C. A. POLINGA VPASS CVSU	APPROVED BY:  H. D. ROBLES PRES CVSU	PROJECT TITLE/ LOCATION: REPAIR AND IMPROVEMENT OF LOWER LEVEL OF GRANDSTAND CAVITE STATE UNIVERSITY MAIN CAMPUS	IMPLEMENTING AGENCY: CAVITE STATE UNIVERSITY	SHEET NO. 1 E - 1
---	--	---	--	---	--	---	---	----------------------




LOWER GROUND C.O. & A/C LAYOUT
 SCALE 1 : 150 MTS

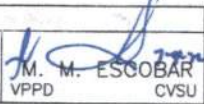
PREPARED BY:
 R. J. R. SANCHEZ
 PPU VPPD

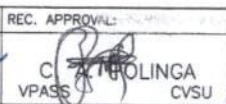
PROFESSIONAL ELECTRICAL ENGR.:

 R. P. PEÑA
 PPU CEIT

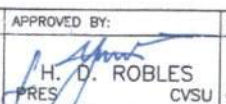
END USER:

 A. L. R. MOJICA
 DIRECTOR SPORTS

ENDORSED BY:

 O. B. DELOS REYES
 DIRECTOR PLANNING OFFICE


 M. M. ESCOBAR
 VPPD CVSU

REC. APPROVAL:

 C. TROLINGA
 VPASS CVSU

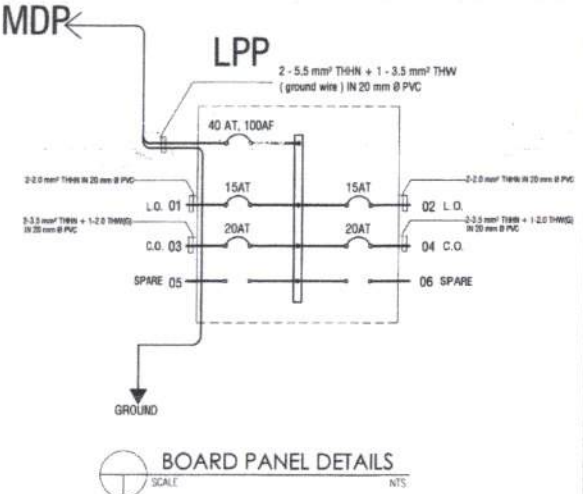
APPROVED BY:

 H. D. ROBLES
 PRES CVSU

PROJECT TITLE/ LOCATION:
 REPAIR AND IMPROVEMENT OF
 LOWER LEVEL OF GRANDSTAND
 CAVITE STATE UNIVERSITY MAIN CAMPUS

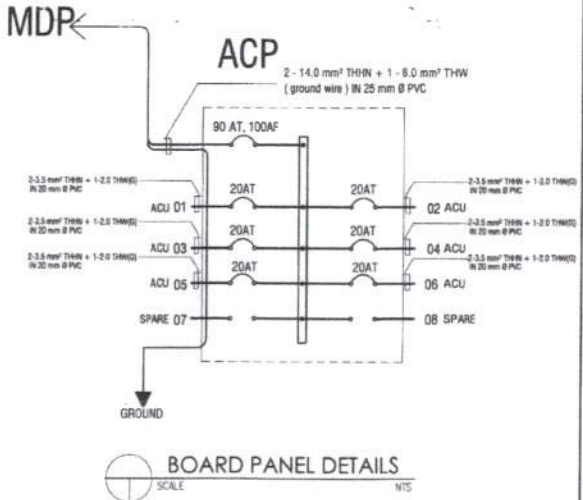
IMPLEMENTING AGENCY:
 CAVITE STATE UNIVERSITY
 SHT NO: E - 2

SCHEDULE OF LOAD

PANEL : LPP		CABLE: 2 - 5.5 SQMM THHN + 1 - 3.5 SQMM THW			MAIN: 40 AT, 100 AF, 2P, 230V, 25 KAIC, MCCB					
PHASE: 1		CONDUIT: PVC, 20 MM DIA.			ENCLOSURE : NEMA 1					
VOLTS: 230		LOCATION: KITCHEN/DINING ROOM, LOWER GROUND FLOOR			MOUNTING: SURFACE					
CKT NO.	CIRCUIT DESCRIPTION	NUMBER OF OUTLET	LOAD IN RATING			CIRCUIT PROTECTION	Size of Conductor		Size Of Conduit In MM ø	Color Code
			Volt- Amp	VOLT	AMPERES		THHN	THW		
1	LIGHTING OUTLET (11 FL + 3 EL.)	14	1400	230	6.09	15 AT, 2P, 230V, 10 KAIC, MCCB	2 - 2.0		PVC, 20	1R,1B
2	LIGHTING OUTLET (11 FL + 4 EL.)	15	1520	230	6.52	15 AT, 2P, 230V, 10 KAIC, MCCB	2 - 2.0		PVC, 20	1R,1G
3	CONVENIENCE OUTLET	13	2340	230	10.17	20 AT, 2P, 230V, 10 KAIC, MCCB	2 - 3.5 + 1 - 2.0 G		PVC, 20	1R,1B,G
4	CONVENIENCE OUTLET	15	2700	230	11.74	20 AT, 2P, 230V, 10 KAIC, MCCB	2 - 3.5 + 1 - 2.0 G		PVC, 20	1R,1B,G
TOTAL			7940	230	34.52	40 AT, 100 AF, 2P, 230V, 25 KAIC, MCCB	2 - 5.5 + 1 - 3.5 G		PVC, 20	1R,1B,G
<p>MAIN FEEDER and CURRENT PROTECTION COMPUTATION:</p> <p>NOTE: $I_{FL} = \frac{(34.52 \times DF)}{}$ = 27.616 Amperes</p> <p>$I_{CB} = \frac{(34.52 \times DF)}{}$ = 27.616 Amperes</p> <p>G - Means Ground Wire 1R- Color RED 1B- Color BLACK 1G- Color GREEN</p> <p>use: 2 - 5.5 SQMM THHN + 1 - 3.5 SQMM THW IN 20 MM DIA. PVC use: 40 AT, 100 AF, 2P, 230V, 25 KAIC, MCCB</p> <p><i>This Electrical Design is good only for the above connected loads. Any additional electrical load connection in the future is not allowed, Except redesign of electrical load system will be done.</i></p>										



PANEL : ACP		CABLE: 2 - 14.0 SQMM THHN + 1 - 8.0 SQMM THW			MAIN: 90 AT, 100 AF, 2P, 230V, 25 KAIC, MCCB					
PHASE: 1		CONDUIT: PVC, 25 MM DIA.			ENCLOSURE : NEMA 1					
VOLTS: 230		LOCATION: KITCHEN/DINING ROOM, LOWER GROUND FLOOR			MOUNTING: SURFACE					
CKT NO.	CIRCUIT DESCRIPTION	Number of outlet	LOAD IN RATING			CIRCUIT PROTECTION	Size of Conductor		Size Of Conduit In MM ø	Color Code
			Volt- Amp	VOLT	AMPERES		THHN	THW		
1	Airconditioning Unit - 1 hp	1	746	230	8.00	20AT, 2P, 230V, 10 KAIC, MCCB	2 - 3.5 + 1 - 2.0 G		PVC, 20	1R,1B,G
2	Airconditioning Unit - 1 hp	1	746	230	8.00	20AT, 2P, 230V, 10 KAIC, MCCB	2 - 3.5 + 1 - 2.0 G		PVC, 20	1R,1B,G
3	Airconditioning Unit - 1.5 hp	1	1119	230	10.00	20AT, 2P, 230V, 10 KAIC, MCCB	2 - 3.5 + 1 - 2.0 G		PVC, 20	1R,1B,G
4	Airconditioning Unit - 1.5 hp	1	1119	230	10.00	20AT, 2P, 230V, 10 KAIC, MCCB	2 - 3.5 + 1 - 2.0 G		PVC, 20	1R,1B,G
5	Airconditioning Unit - 1 hp	1	746	230	8.00	20AT, 2P, 230V, 10 KAIC, MCCB	2 - 3.5 + 1 - 2.0 G		PVC, 20	1R,1B,G
6	Airconditioning Unit - 1 hp	1	746	230	8.00	20AT, 2P, 230V, 10 KAIC, MCCB	2 - 3.5 + 1 - 2.0 G		PVC, 20	1R,1B,G
TOTAL			5222	230	52.00	90 AT, 100 AF, 2P, 230V, 25 KAIC, MCCB	2 - 14.0 + 1 - 8.0 G		PVC, 25	1R,1B,G
<p>MAIN FEEDER and CURRENT PROTECTION COMPUTATION:</p> <p>NOTE: $I_{FL} = \frac{52 \times (25\% + 1m)}{}$ = 54.5 Amperes</p> <p>$I_{CB} = \frac{52 \times (250\% + 1m)}{}$ = 77 Amperes</p> <p>G - Means Ground Wire 1R- Color RED 1B- Color BLACK 1G- Color GREEN</p> <p>use: 2 - 14.0 SQMM THHN + 1 - 8.0 SQMM THW IN 25 MM DIA. PVC use: 90 AT, 100 AF, 2P, 230V, 25 KAIC, MCCB</p> <p><i>This Electrical Design is good only for the above connected loads. Any additional electrical load connection in the future is not allowed, Except redesign of electrical load system will be done.</i></p>										



PREPARED BY:
R. J. R. SANCHEZ
 PPU OVPPD

PROFESSIONAL ELECTRICAL ENGR: R. P. PREMA PPU CEIT	END USER: A. L. R. MOJICA DIRECTOR SPORTS	ENDORSED BY: O. B. DELOS REYES DIRECTOR PLANNING OFFICE	APPROVED BY: M. M. ESCOBAR VPPD CVSU	REC. APPROVAL: C. A. POLINGA VPASS CVSU	APPROVED BY: H. D. ROBLES PRES CVSU	PROJECT TITLE/ LOCATION: REPAIR AND IMPROVEMENT OF LOWER LEVEL OF GRANDSTAND CAVITE STATE UNIVERSITY MAIN CAMPUS	IMPLEMENTING AGENCY: CAVITE STATE UNIVERSITY	SHT NO: E - 3
---	--	--	---	--	--	--	---	------------------

PANEL: MDP		CABLE: 2 - 22.0 SQMM THHN + 1 - 8.0 SQMM THW			MAIN: 100 AT, 200 AF, 2P, 230V, 25 KAIC, MCCB					
PHASE: 1		CONDUIT: RSC, 25 MM DIA.			ENCLOSURE: NEMA 1					
VOLTS: 230		LOCATION: KITCHEN/DINING ROOM, LOWER GROUND FLOOR			MOUNTING: SURFACE					
CKT NO.	PANEL CODE	CIRCUIT DESCRIPTION	LOAD IN RATING			CIRCUIT PROTECTION	Size of Conductor		Size Of Conduit In MM ϕ	Color Code
			Volt- Amp	VOLT	AMPERES		THHN	THW		
1	LPP	LIGHTING AND POWER PANEL	7940	230	34.52	40 AT, 100 AF, 2P, 230V, 25 KAIC, MCCB	2 - 5.5	+ 1 - 3.5 G	PVC, 20	1R, 1B, G
2	ACP	A/C UNIT PANEL	5222	230	52.00	90 AT, 100 AF, 2P, 230V, 25 KAIC, MCCB	2 - 14.0	+ 1 - 8.0 G	PVC, 25	1R, 1B, G
TOTAL			13162	230	86.52	100 AT, 200 AF, 2P, 230V, 25 KAIC MCCB	2 - 22.0	+ 1 - 8.0 G	RSC, 25	1R, 1B, G

MAIN FEEDER and CURRENT PROTECTION COMPUTATION

NOTE

$I_{FL} = (.8652 \times DF) = 69.216$ Amperes

$I_{CB} = (.8652 \times DF) = 69.216$ Amperes

G - Means Ground Wire

1R- Color RED

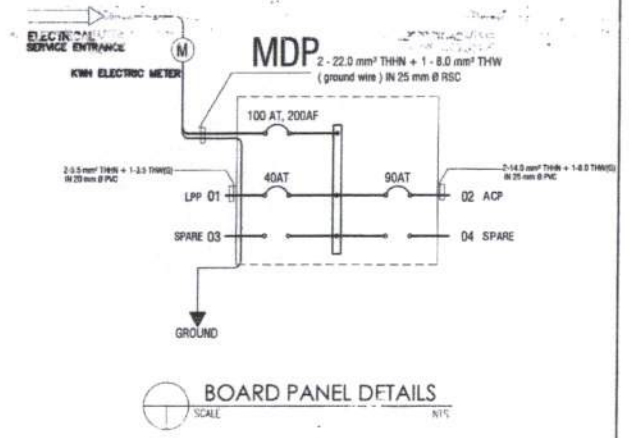
1B- Color BLACK

1G- Color GREEN

use: 2 - 22.0 SQMM THHN + 1 - 8.0 SQMM THW IN 25 MM DIA. RSC

use: 100 AT, 200 AF, 2P, 230V, 25 KAIC, MCCB

This Electrical Design is good only for the above connected loads. Any additional electrical load connection in the future is not allowed, Except redesign of electrical load system will be done.



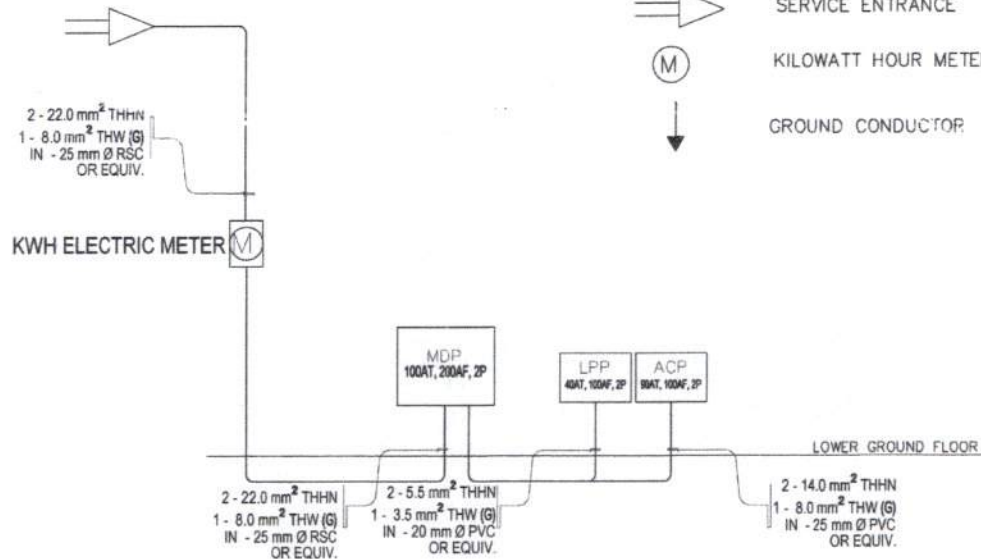
PREPARED BY: R. J. R. SANCHEZ PPU OVPPD	END USER: A. L. R. MOJICA DIRECTOR SPORTS	ENGINEER: O. E. DELOS REYES DIRECTOR PLANNING OFFICE	APPROVED BY: M. M. ESCOBAR VPPD CVSU	APPROVED BY: C. A. POLINGA VPASS CVSU	APPROVED BY: H. D. ROBLES PRES CVSU	PROJECT TITLE/ LOCATION: REPAIR AND IMPROVEMENT OF LOWER LEVEL OF GRANDSTAND CAVITE STATE UNIVERSITY MAIN CAMPUS	IMPLEMENTING AGENCY: CAVITE STATE UNIVERSITY
---	---	--	--	---	---	--	---

NOTES & SPECIFICATIONS :

- ALL ELECTRICAL WORKS TO BE UNDERTAKEN SHALL BE IN ACCORDANCE WITH THE LATEST EDITION OF THE PHILIPPINE ELECTRICAL CODE PART 1 AND 2 AND THE RULES AND REGULATIONS OF LOCAL ENFORCING UTILITY POWER AND TELEPHONE COMPANY.
- ALL MATERIALS AND EQUIPMENT TO BE USED SHALL BE NEW AND APPROVED TYPE FOR BOTH LOCATION AND PURPOSES.
- THERE SHALL BE ONLY ONE SERVICE DROP IN A BUILDING 230 VOLTS, 2 WIRE (LINE) PLUS 1 WIRE (GROUND), SINGLE PHASE, 60 CYCLE.
- THE ELECTRICAL WORKS SHALL BE UNDER THE IMMEDIATE SUPERVISION OF A DULY LICENSED ELECTRICAL ENGINEER OR MASTER ELECTRICIAN AUTHORIZED FOR EACH GRADE.
- THE MINIMUM SIZE OF WIRE SHALL BE NUMBER 2.0mm² COPPER, THHN TYPE UNLESS OTHERWISE NOTED.
- WIRING METHOD SHALL BE PVC FOR ALL BRANCH CIRCUITS AND RSC FOR SERVICE ENTRANCE.
- PROPER GROUNDING OR ELECTRICAL EQUIPMENT SHALL BE IN ACCORDANCE WITH THE PHILIPPINE ELECTRICAL CODE.
- FIELD VERIFICATION SHALL BE DONE BY THE CONTRACTOR ANY DISCREPANCIES OR CHANGES SHALL BE PROMPTLY NOTIFIED TO THE OWNER'S REPRESENTATIVE OR DESIGNER.
- TYPE OF LIGHTING FIXTURE SHALL BE SUBMITTED TO THE ENGINEER OR ARCHITECT FOR APPROVAL.
- MOUNTING HEIGHT
 - SWITCHES-1400 MM.
 - CONVENIENCE OUTLET-300 MM.
 - EMERGENCY LIGHT-500 MM. BELOW CEILING LINE.
 - METER CENTER-SUBMIT SHOP DRAWING FOR APPROVAL.
- REQUEST FOR TEMPORARY POWER INTERRUPTION SHOULD BE COORDINATED TO PHYSICAL PLANNING UNIT SUPERVISORS.

LEGENDS AND SYMBOLS:

	2-20W FLOURESCENT LIGHT		TWO GANG CONVENIENCE OUTLET
	2-40W FLOURESCENT LIGHT		THREE PIN ACU OUTLET
	EMERGENCY LIGHT		ACU WINDOW TYPE
	ONE GANG SWITCH		2.0 mm ² THHN
	TWO GANG SWITCH		3.5 mm ² THHN
	THREE GANG SWITCH		CIRCUIT HOMERUN
	THREE WAY SWITCH		CIRCUIT NUMBER
			PANEL BOARD
			SERVICE ENTRANCE
			KILOWATT HOUR METER
			GROUND CONDUCTOR



SINGLE LINE DIAGRAM

PREPARED BY: R. J. R. SANCHEZ DPU OVPPD	END USER: R. B. PERERA PPU CEIT	ENDORSED BY: A. L. R. MOJICA DIRECTOR SPILLS	REC. APPROVAL: O. B. DELOS REYES DIRECTOR PLANNING OFFICE	APPROVED BY: M. H. ESCOBAR VPPD CVSU	PROJECT TITLE/LOCATION: REPAIR AND IMPROVEMENT OF LOWER LEVEL OF GRANDSTAND CAVITE STATE UNIVERSITY MAIN CAMPUS	IMPLEMENTING AGENCY/DEPARTMENT: CAVITE STATE UNIVERSITY	SHEET NO.: E - 5
---	---------------------------------------	--	---	--	---	--	---------------------