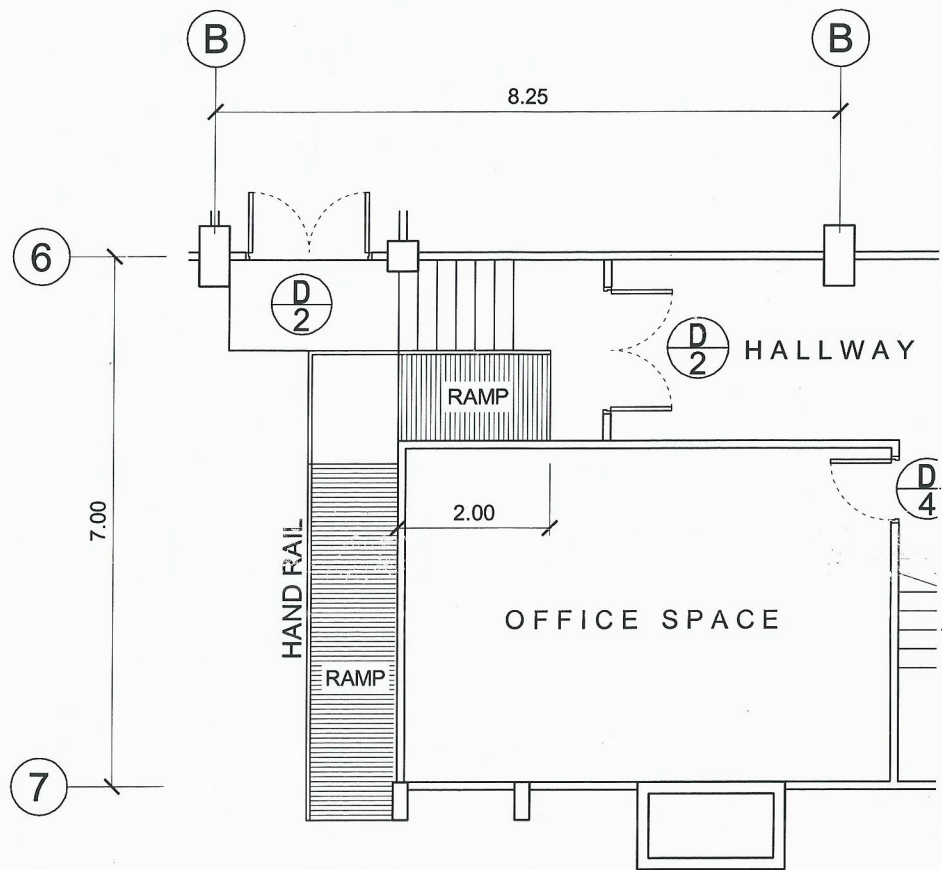


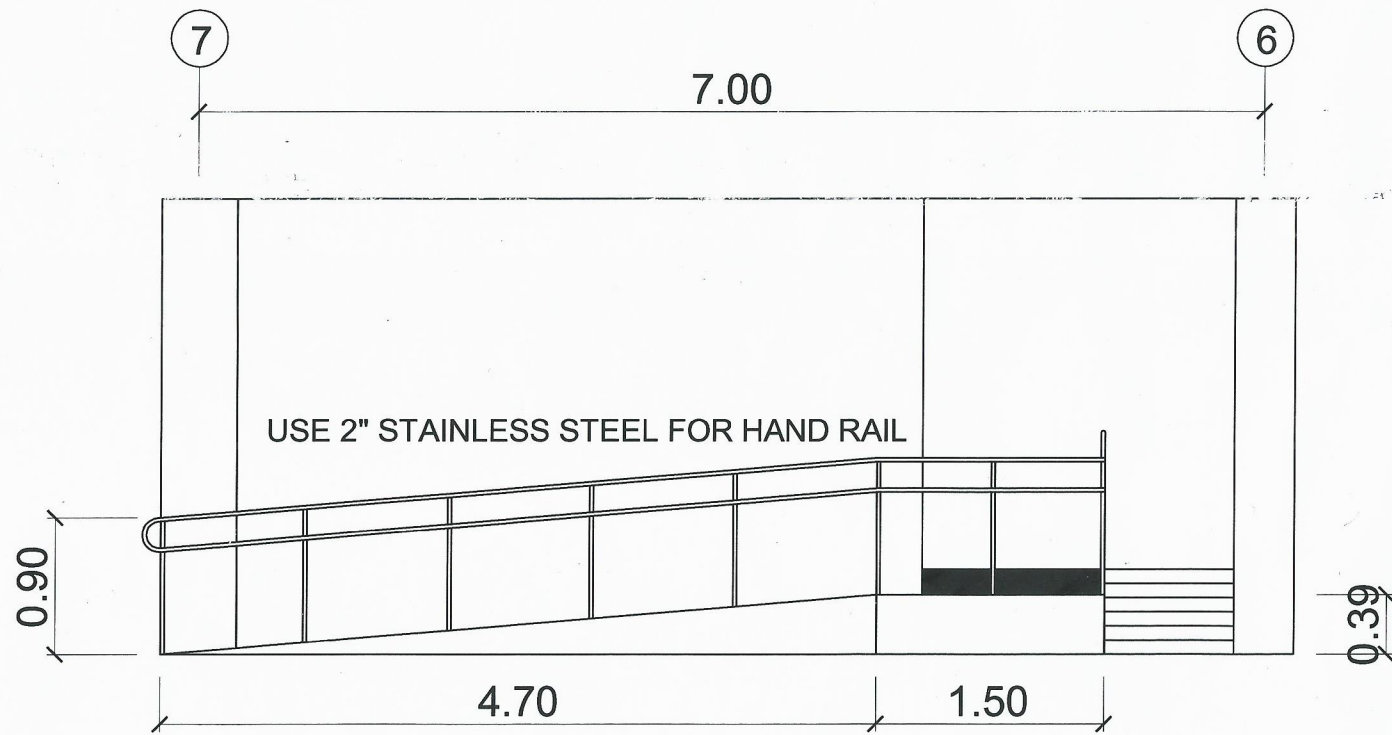
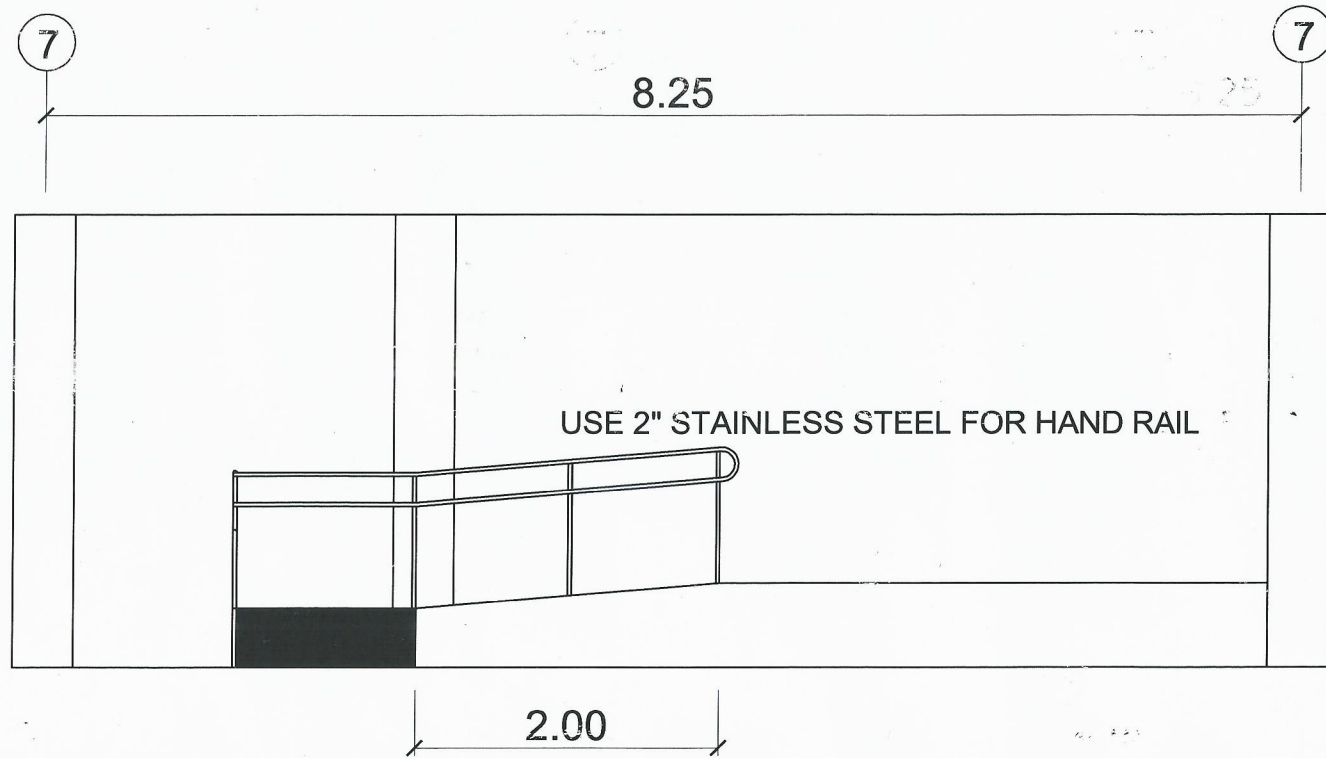
**LOWER FLOOR PLAN (With RAMP)**  
 SCALE 1 : 250 MTS.

Repair & Improvement of Gymnasium

Bid Bulletin No. 1 - 2nd Posting



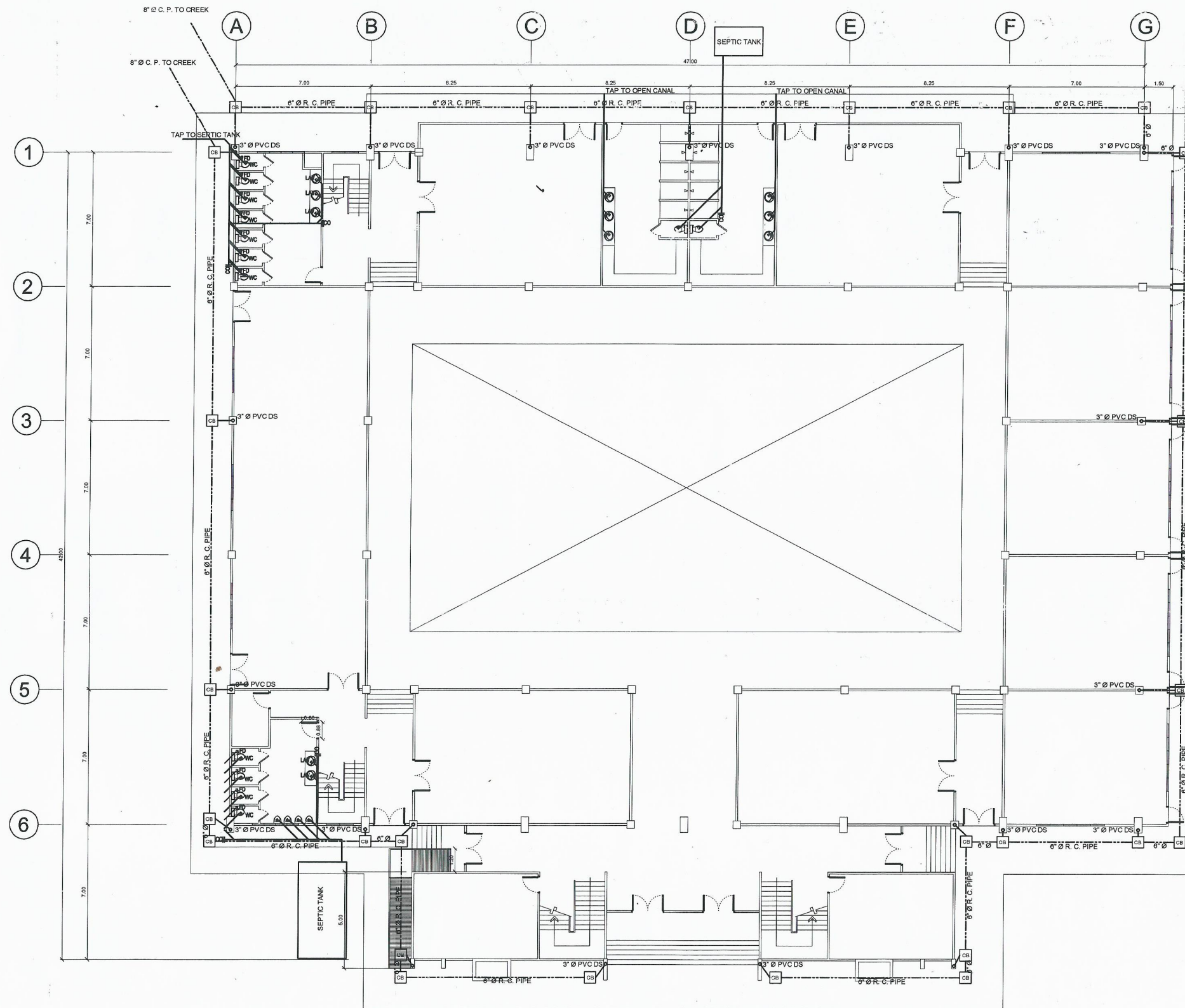
RAMP PLAN  
SCALE 1:100 MTS.



RAMP SECTION  
SCALE 1:50 MTS.

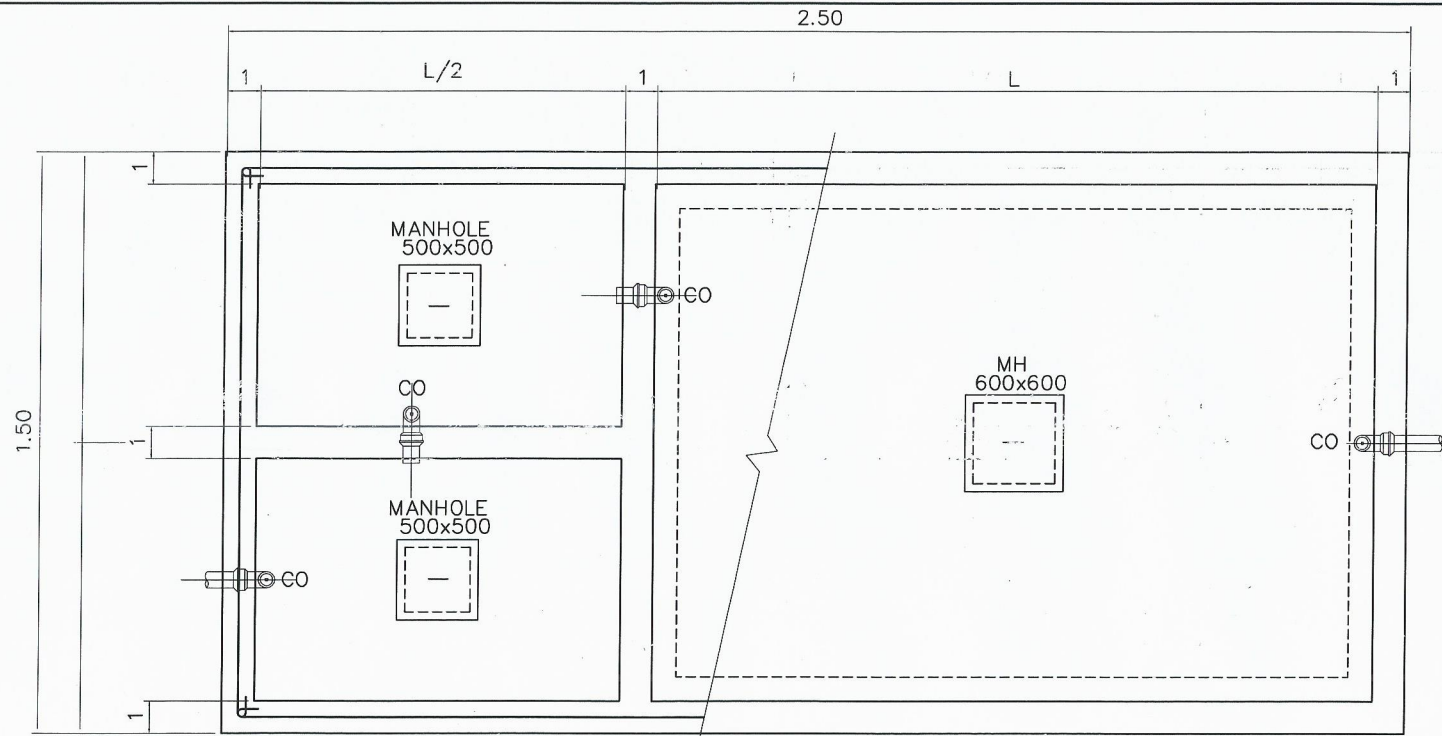
Repair & Improvement of Gymnasium

Bid Bulletin No 1 - 2nd Posting



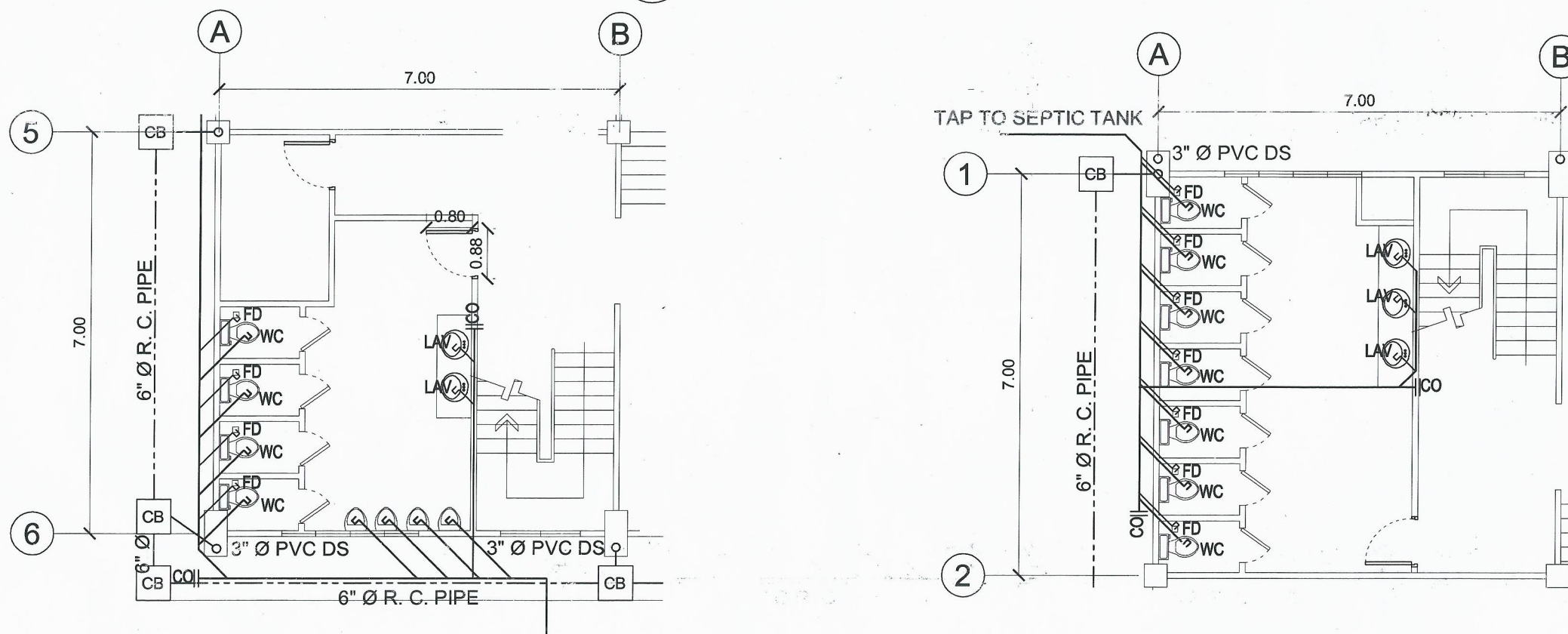
**LOWER FLOOR PLUMBING PLAN**  
 SCALE 1 : 250 MTS.

Repair & Improvement of Gymnasium  
 Bid Bulletin No1 - 2nd Posting



PLAN  
SEPTIC TANK LAYOUT

SCALE NTS



LOWER FLOOR PLUMBING PLAN (DETAILED)

SCALE 1 : 100 MTS.

Repair & Improvement of Gymnasium  
Bid Bulletin No. 1 - 2nd Posting