

Sample photos

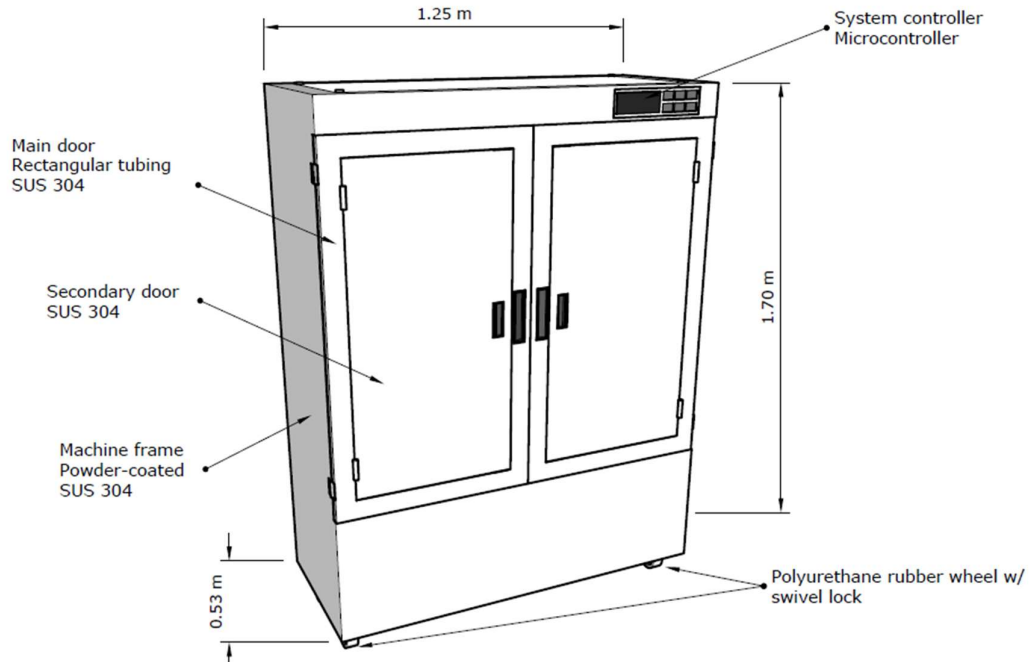


Figure 1. Isometric view of the exterior parts of the equipment

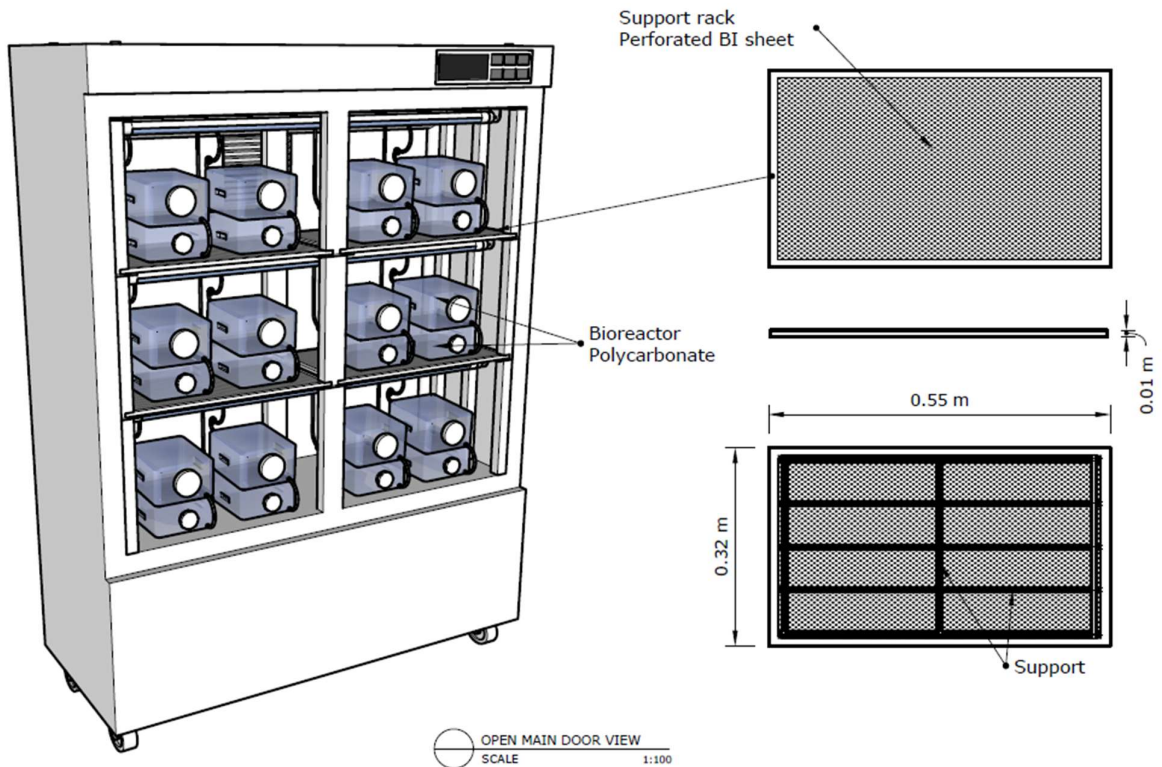


Figure 2. Isometric view of the interior parts of the equipment

Note: Detailed design/ layout of the equipment will be provided upon request of the prospective bidders. Moreover, prospective bidders must submit a signed and notarized Confidentiality/ Non-Disclosure Agreement (Annex 1) as a requirement for the bid documents to be submitted in accordance with the Intellectual Property Code of the Philippines.