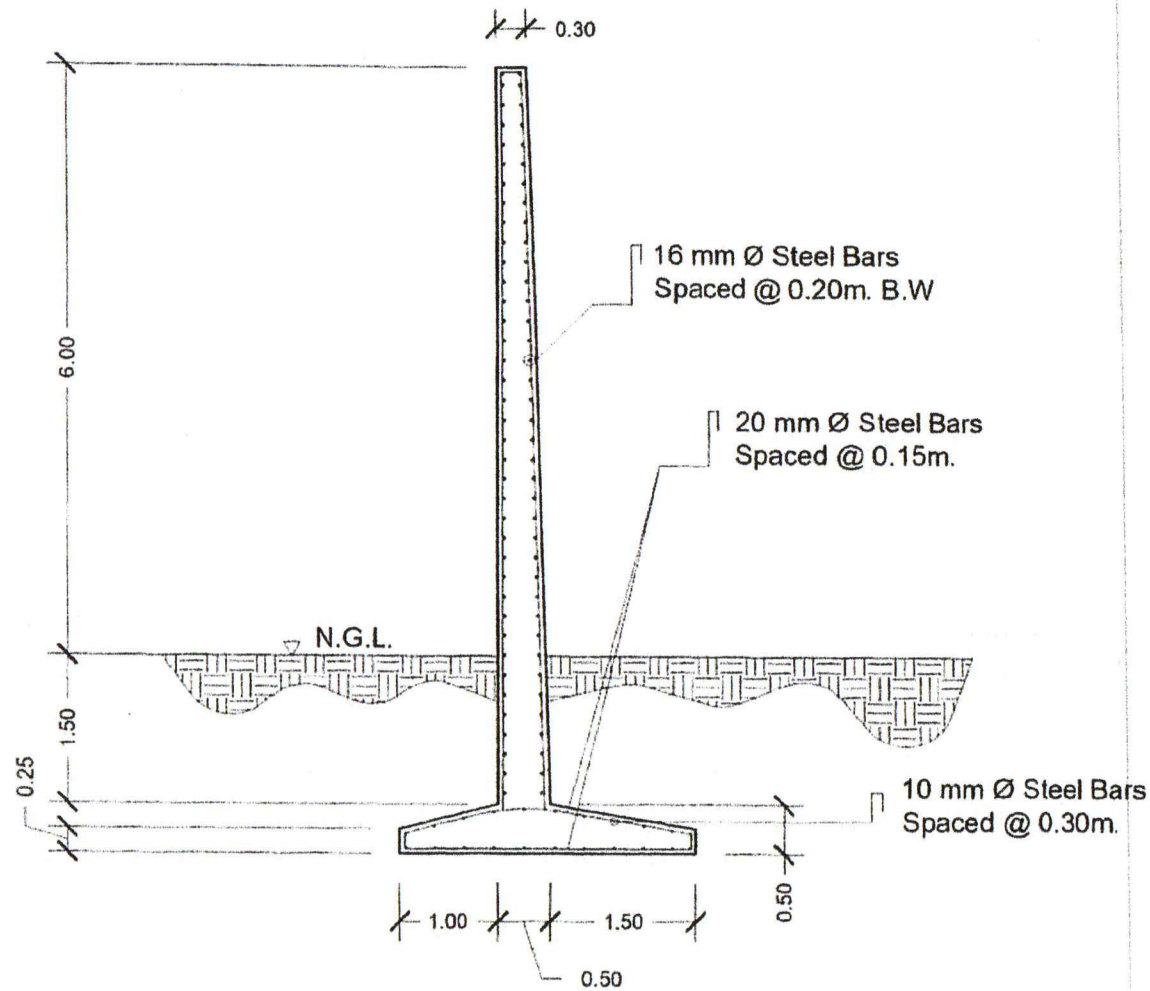


SITE DEVELOPMENT PLAN

<small>PREPARED BY:</small> S. B. BAYOT JR. <small>PROJ.</small>	<small>DESIGNED BY:</small> <i>[Signature]</i> E. N. RODEROS JR. <small>PROJ.</small>	<small>ENDORSED BY:</small> <i>[Signature]</i> O. B. DE LOS REYES <small>SUBJECT</small>	<small>REVIEWED BY:</small> <i>[Signature]</i> A. POLIINGA <small>STATE</small>	<small>APPROVED BY:</small> <i>[Signature]</i> D. ROBLES <small>PRES.</small>	<small>PROJECT TITLE/LOCATION:</small> CONSTRUCTION OF RETAINING WALL COLLEGE OF VETERINARY MEDICINE CAVITE MAIN CAMPUS	<small>IMPLEMENTING AGENCY:</small> CAVITE STATE UNIVERSITY	<small>SHEET NO.:</small> 1
--	--	---	--	--	---	--	--------------------------------



RETAINING WALL DETAILS



SCALE

1 : 50 MTS

DESIGNED BY S. P. BAYOT JR.	CHECKED BY E. N. RODRIGUEZ JR.	APPROVED BY MA. C. DE LA CRUZ	DATE O. B. DELOS REYES	DATE C. A. POLINGA	DATE D. ROBLES	PROJECT TITLE CONSTRUCTION OF RETAINING WALL	UNIVERSITY CAVITE STATE UNIVERSITY	PAGE NO. 1
--------------------------------	-----------------------------------	----------------------------------	---------------------------	-----------------------	-------------------	---	---------------------------------------	---------------