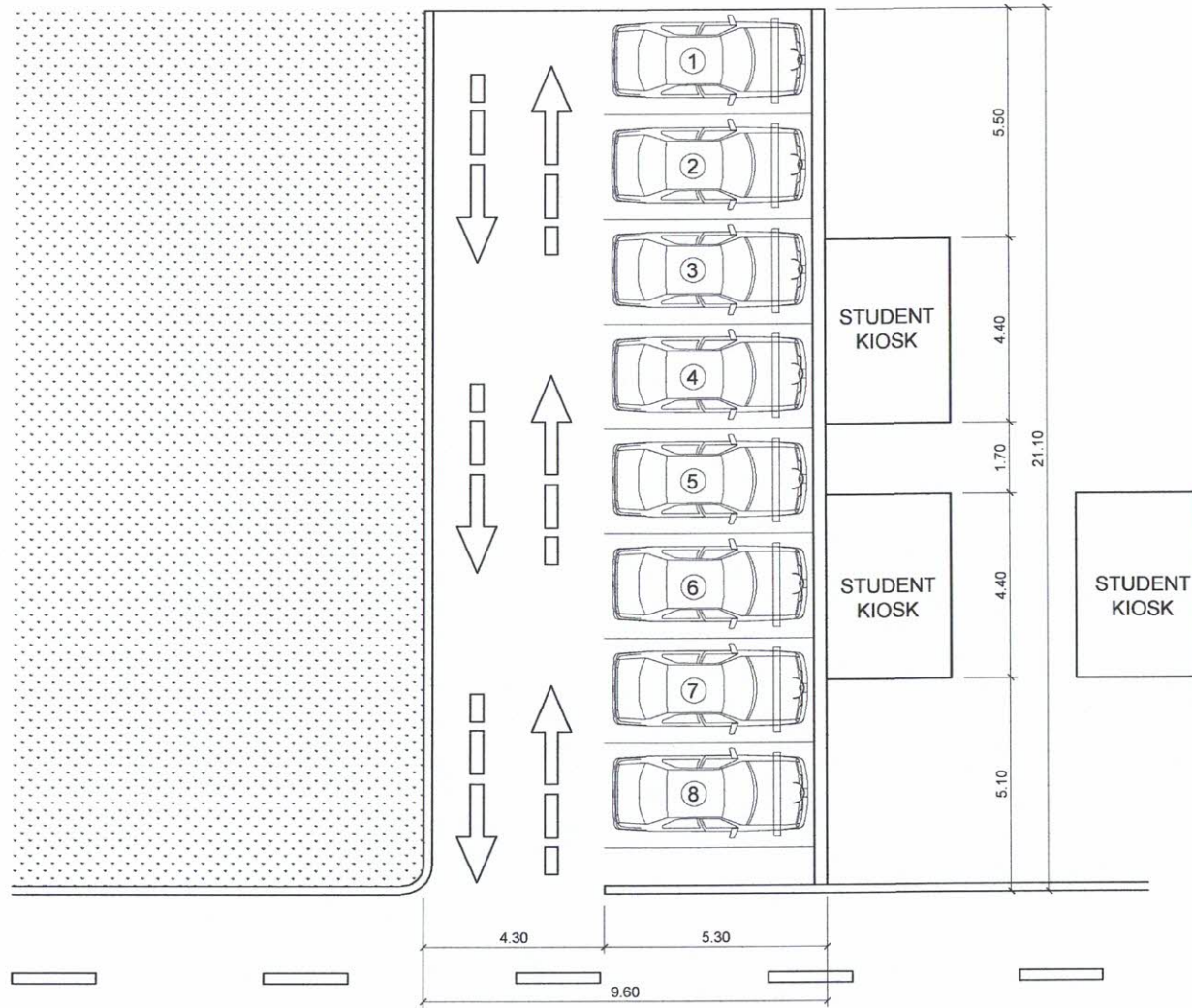


1
A/1
PROPOSED FLOOR PLAN
 SCALE 1 : 150 MTS.

	PREPARED BY: J. D. ESCANO <small>PPU OVP/PPD</small>	END USER: O. B. DELOS REYES <small>DIRECTOR PLANNING OFFICE</small>	REVIEWED BY: E. N. RODEROS <small>PPU OVP/PPD</small>	ENDORSED BY: O. B. DELOS REYES <small>DIRECTOR PLANNING OFFICE</small>	ENDORSED BY: M. J. D. TEPORA <small>VPPD CVSU</small>	REC. APPROVAL: C. A. POLINGA <small>V/ASS CVSU</small>	APPROVED BY: M. D. ROBLES <small>PRES CVSU</small>	PROJECT TITLE/ LOCATION: REPAIR AND IMPROVEMENT OF PLANNING AND INSTITUTIONAL DEVELOPMENT OFFICE CAVITE STATE UNIVERSITY MAIN CAMPUS	IMPLEMENTING AGENCY: CAVITE STATE UNIVERSITY	SHT NO: A - 1
--	---	--	--	---	--	---	---	--	--	-------------------------



1
A2

SITE DEVELOPMENT PLAN (PROPOSED PARKING)

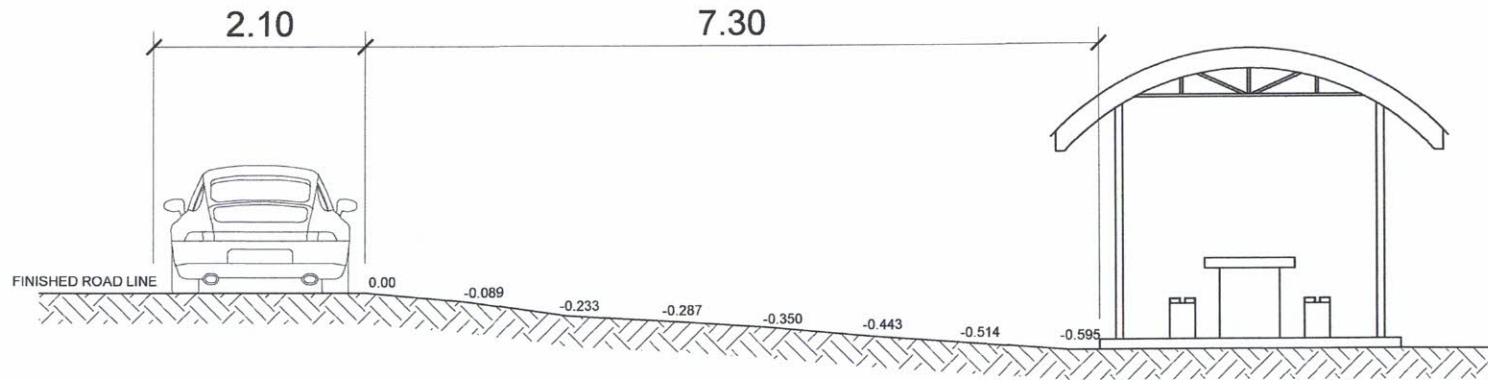
SCALE

1 : 175 MTS.

	PREPARED BY:	END USER:	REVIEWED BY:	ENDORSED BY:	REC. APPROVAL:	APPROVED BY:	PROJECT TITLE/ LOCATION:	IMPLEMENTING AGENCY:	SHT NO.:
	 J. B. ESCANO PPU OVP/ PD	 O. B. DELOS REYES DIRECTOR PLANNING OFFICE	 E. N. RODEROS PPD OVP/ PD	 O. B. DELOS REYES DIRECTOR PLANNING OFFICE	 M. J. D. TEPORA VPPD CVSU	 O. A. POLINGA VPASS CVSU	 H. D. ROBLES PRES CVSU	REPAIR AND IMPROVEMENT OF PLANNING AND INSTITUTIONAL DEVELOPMENT OFFICE CAVITE STATE UNIVERSITY MAIN CAMPUS	CAVITE STATE UNIVERSITY

NOTE:

- All measurement is in meters (m).
- Difference in elevation is 0.585 mtrs.

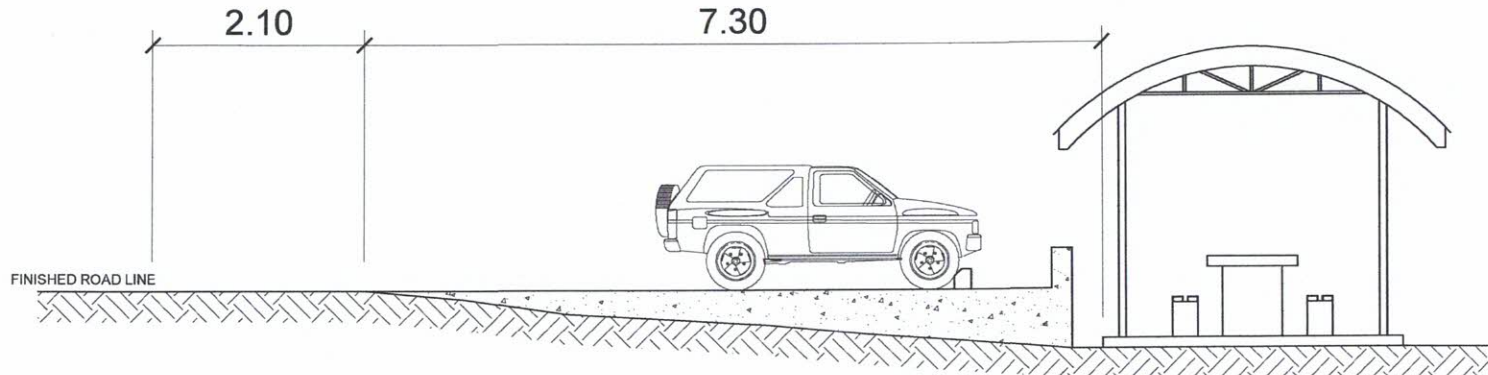


1
A/3

CROSS SECTION DETAILS (AS-BUILT)

SCALE

1 : 75 MTS.



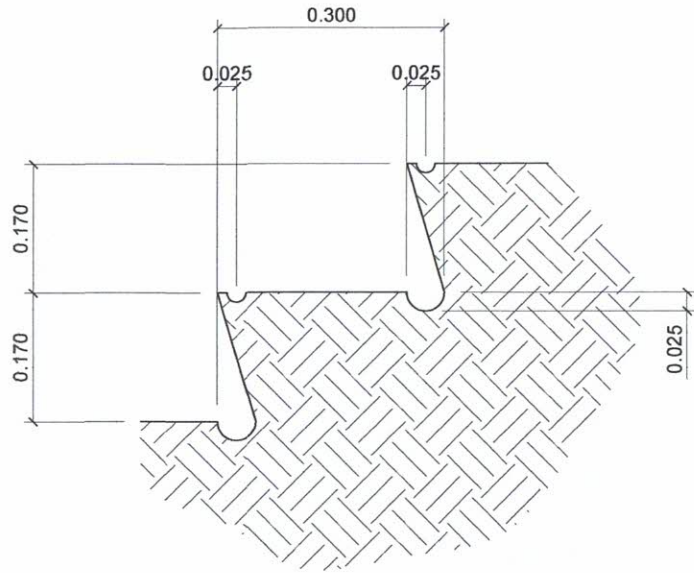
2
A/3

CROSS SECTION DETAILS (PROPOSED PARKING)

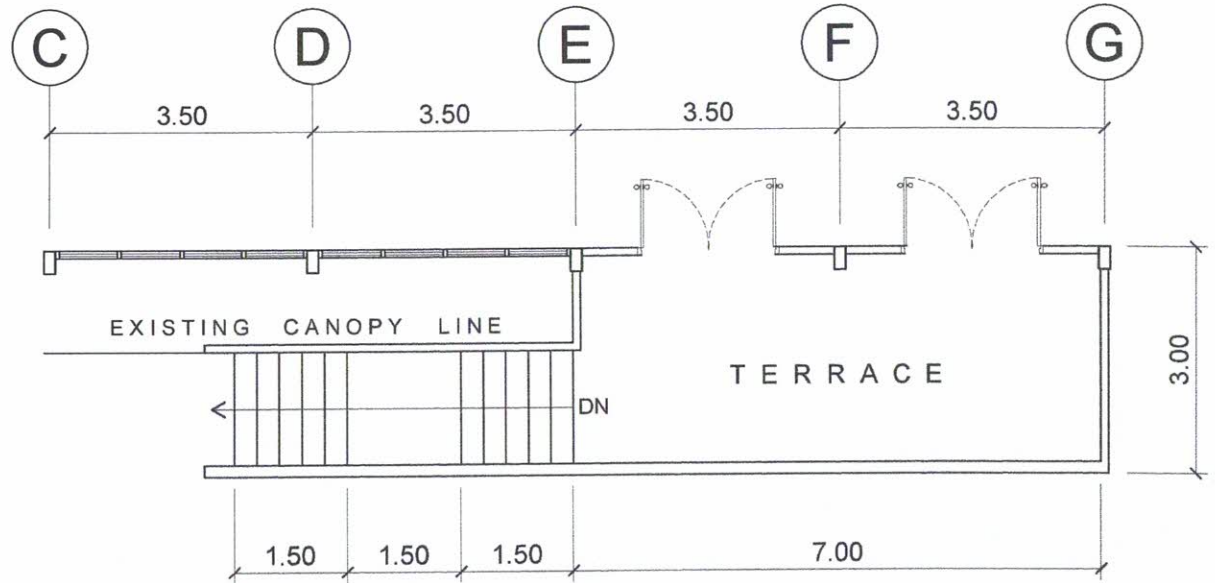
SCALE

1 : 75 MTS.

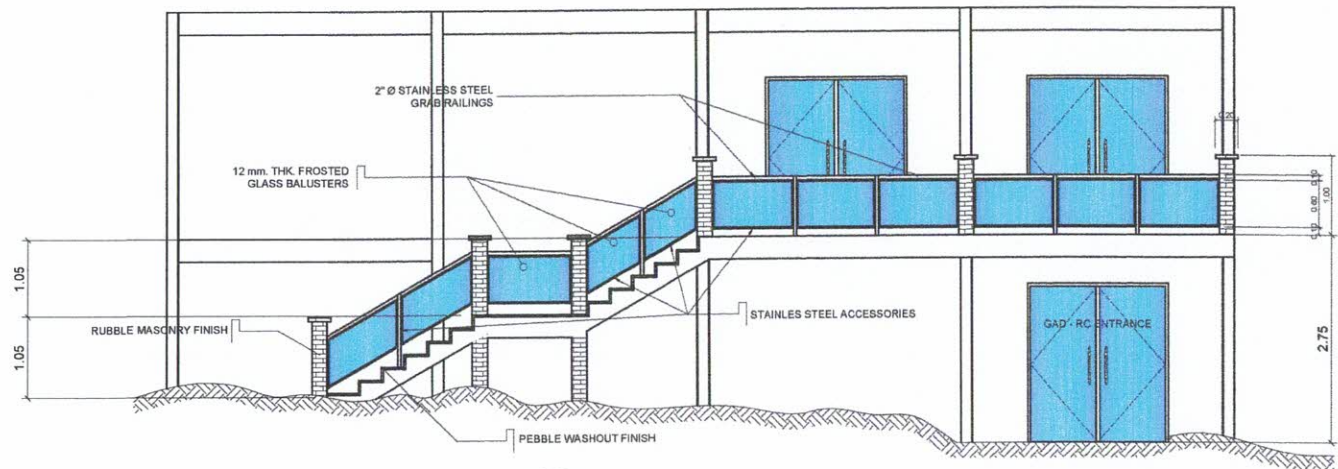
	PREPARED BY:	END USER:	REVIEWED BY:	ENDORSED BY:	REC. APPROVAL:	APPROVED BY:	PROJECT TITLE/ LOCATION:	IMPLEMENTING AGENCY:	SHT NO.:
	J. D. ESCANO PPU	O. B. DELOS REYES DIRECTOR PLANNING OFFICE	E. N. RODEROS PPU	O. B. DELOS REYES DIRECTOR PLANNING OFFICE	M. J. D. TEPORA VPPD	C. AVPOLINGA VPASS	H. D. ROBLES PRES CVSU	REPAIR AND IMPROVEMENT OF PLANNING AND INSTITUTIONAL DEVELOPMENT OFFICE CAVITE STATE UNIVERSITY MAIN CAMPUS	CAVITE STATE UNIVERSITY



3
A/4 SCALE 1 : 10 MTS.
SPOT DETAILS OF STAIRCASE

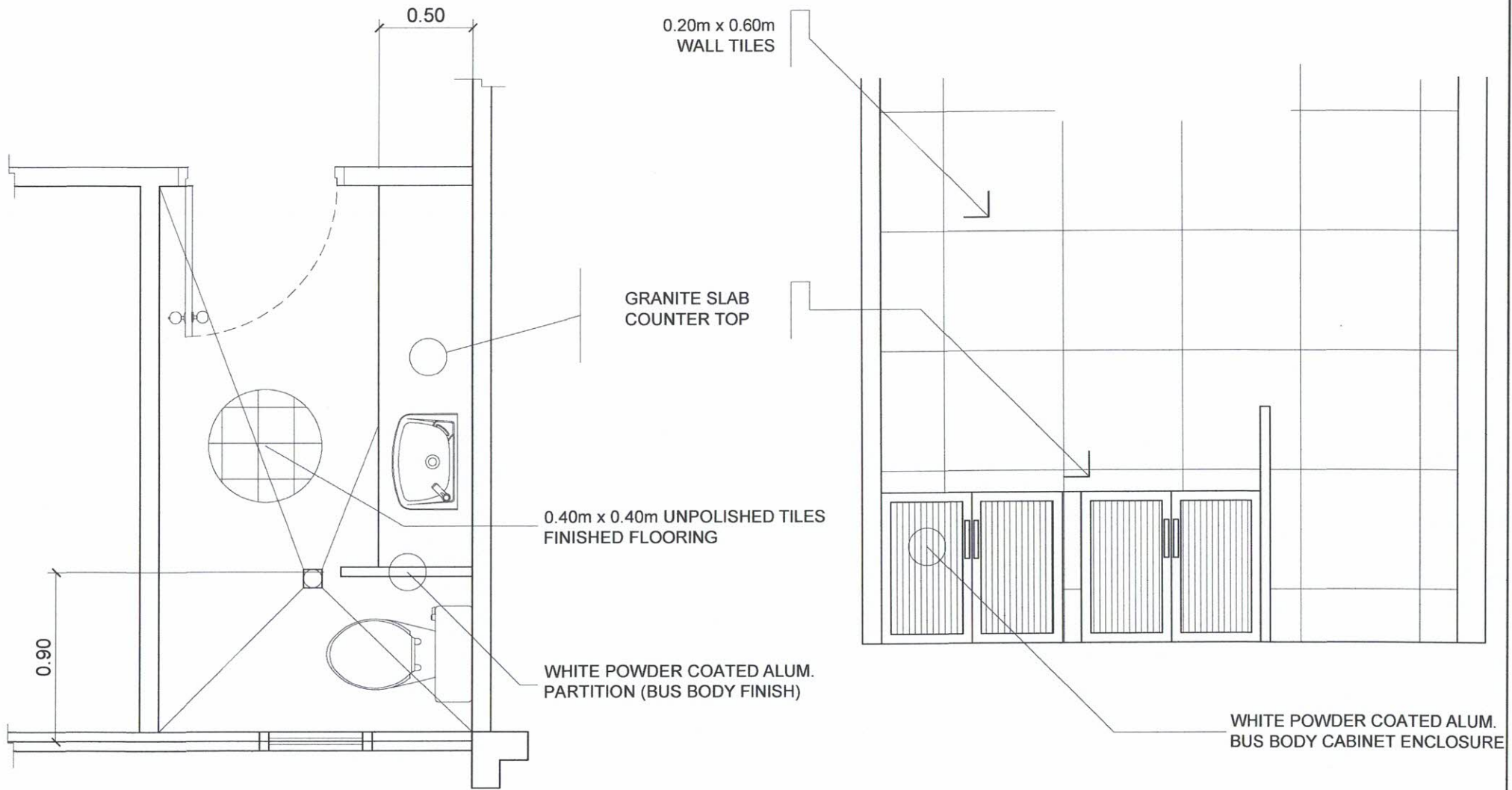


1
A/4 SCALE 1 : 100 MTS.
PLAN OF STAIRCASE



2
A/4 SCALE 1 : 100 MTS.
DETAILS AND ELEVATION OF STAIRCASE

	PREPARED BY:	END USER:	REVIEWED BY:	ENDORSED BY:	REC. APPROVAL:	APPROVED BY:	PROJECT TITLE/ LOCATION:	IMPLEMENTING AGENCY:	SHT NO.:
	J. B. ESCANO PPU OVP/PPD	O. B. DELOS REYES DIRECTOR PLANNING OFFICE	E. N. RODEROS PPU OVP/PPD	O. B. DELOS REYES DIRECTOR PLANNING OFFICE	M. J. D. TEPORA VPPD CVSU	C. A. POLINGA VP/ASST CVSU	M. D. ROBLES PRES CVSU	REPAIR AND IMPROVEMENT OF PLANNING AND INSTITUTIONAL DEVELOPMENT OFFICE CAVITE STATE UNIVERSITY MAIN CAMPUS	CAVITE STATE UNIVERSITY

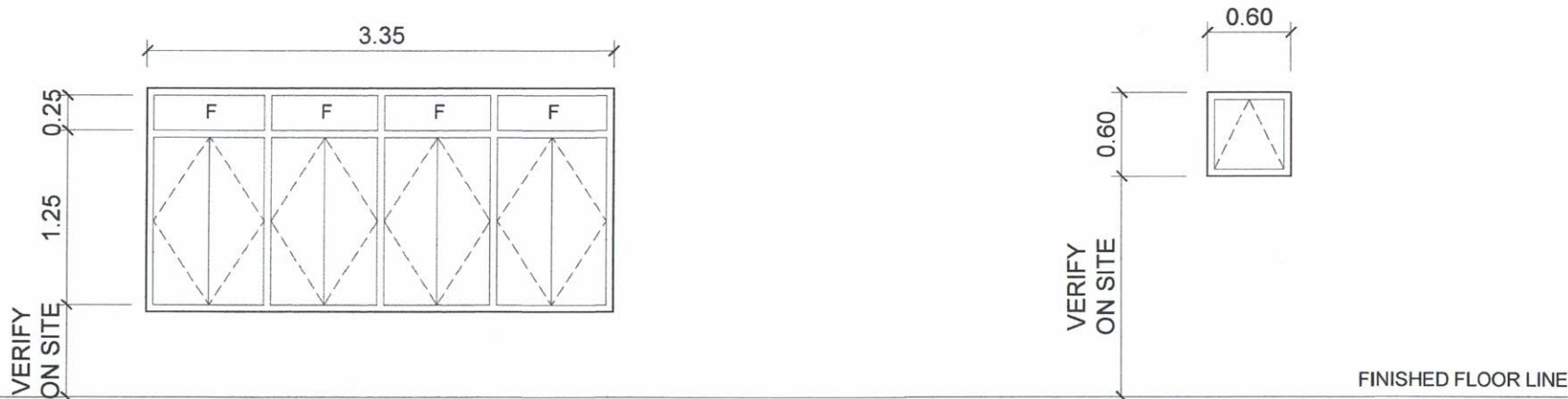


1
A/5

PLAN AND SECTION OF CR

SCALE 1 : 30 MTS.

	PREPARED BY:	END USER:	REVIEWED BY:	ENDORSED BY:	REC. APPROVAL:	APPROVED BY:	PROJECT TITLE/ LOCATION:	IMPLEMENTING AGENCY:	SHT NO.:
	 J. D. ESCANO PPU OVPPD	 O. B. DELOS REYES DIRECTOR PLANNING OFFICE	 E. N. RODEROS PPU OVPPD	 O. B. DELOS REYES DIRECTOR PLANNING OFFICE	 M. J. D. TEPORA VPPD CVSU	 C. A. POLINGA VPASS CVSU	 M. D. ROBLES PRES CVSU	REPAIR AND IMPROVEMENT OF PLANNING AND INSTITUTIONAL DEVELOPMENT OFFICE CAVITE STATE UNIVERSITY MAIN CAMPUS	CAVITE STATE UNIVERSITY

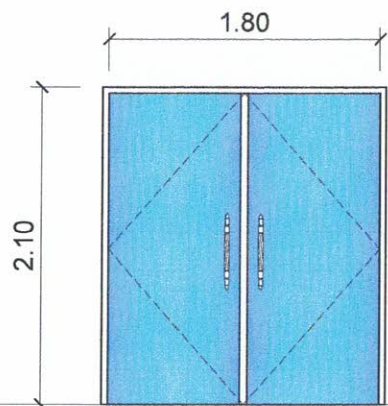


W
1

3.35m x 1.50m ALUMINUM CASEMENT SWING WINDOW
W/ FIXED GLASS COMPLETE W/ ALL ACCESSORIES W/
1/4" THK. CLEAR GLASS
13 SETS

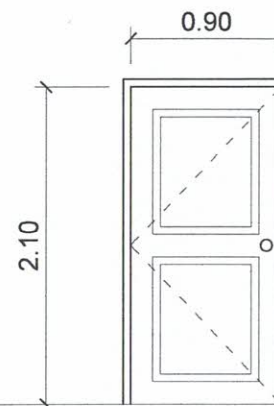
W
2

0.60m x 0.60m AWNING WINDOW ON ALUMINUM
CASEMENT W/ 1/4" THK. CLEAR GLASS COMPLETE W/
ACCESSORIES
2 SETS



D
1

1.80m x 2.10m DOUBLE SWING GLASS DOOR W/ 1/4"
THK. CLEAR GLASS ON A POWDER COATED
ALUMINUM FRAME COMPLETE WITH ACCESSORIES
4 SETS



D
2

0.90m x 2.10m STEEL PANEL DOOR
COMPLETE WITH ALL ACCESSORIES
5 SETS

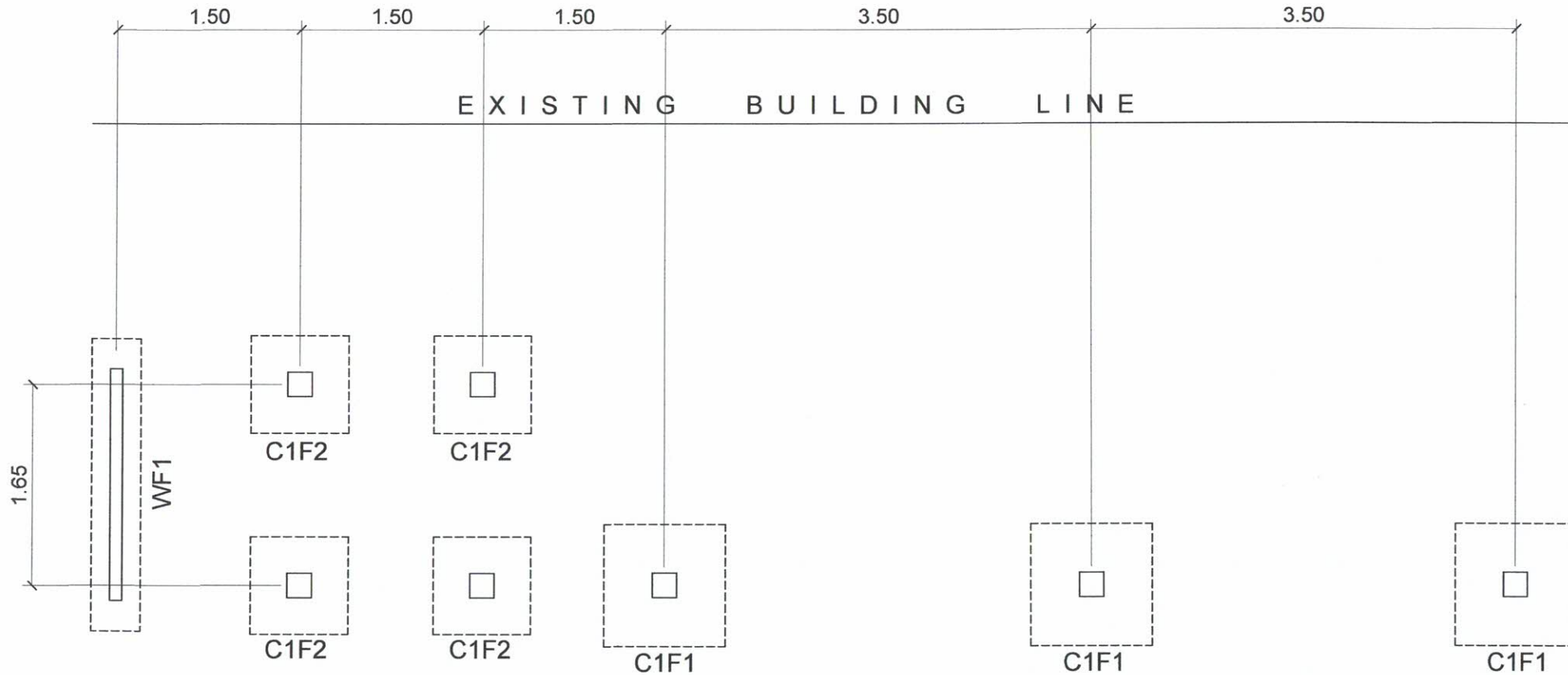
1
A6

SCHEDULE OF DOORS AND WINDOWS

SCALE

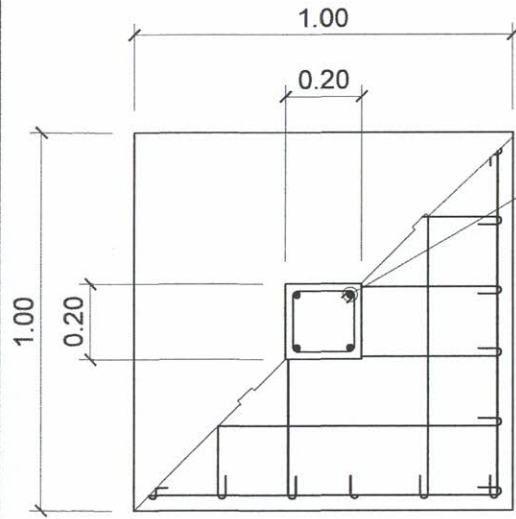
1 : 50 MTS.

PREPARED BY:	END USER:	REVIEWED BY:	ENDORSED BY:	REC. APPROVAL:	APPROVED BY:	PROJECT TITLE/ LOCATION:	IMPLEMENTING AGENCY:	SHT NO.:
J. D. ESCANO PPU OVP/PPD	O. B. DELOS REYES DIRECTOR PLANNING OFFICE	E. N. RODEROS PPU OVP/PPD	O. B. DELOS REYES DIRECTOR PLANNING OFFICE	M. J. D. TEPORA VPPD CVSU	G. A. POLINGA VP/ASST CVSU	H. D. ROBLES PRES CVSU	REPAIR AND IMPROVEMENT OF PLANNING AND INSTITUTIONAL DEVELOPMENT OFFICE CAVITE STATE UNIVERSITY MAIN CAMPUS	CAVITE STATE UNIVERSITY A - 6



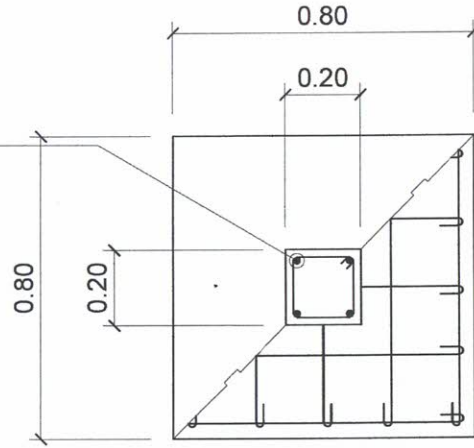
1 FOUNDATION PLAN
S1 SCALE 1 : 50 MTS.

	PREPARED BY: J. D. ESCANO PPU OVPD	END USER: O. B. DELOS REYES DIRECTOR PLANNING OFFICE	REVIEWED BY: L. E. ROCELA PPU OVPD	ENDORSED BY: O. B. DELOS REYES DIRECTOR PLANNING OFFICE	M. L. D. TEPORA VPPD CVSU	REC. APPROVAL: C. A. POLINGA VPASS CVSU	APPROVED BY: N. D. ROBLES PRES CVSU	PROJECT TITLE/ LOCATION: REPAIR AND IMPROVEMENT OF PLANNING AND INSTITUTIONAL DEVELOPMENT OFFICE CAVITE STATE UNIVERSITY MAIN CAMPUS	IMPLEMENTING AGENCY: CAVITE STATE UNIVERSITY	SHT NO.: S - 1
--	--	--	--	---	------------------------------	---	---	---	--	-------------------



6 - 16mm Ø DEF. STEEL BARS
SPACED @ 0.18 M.O.C. BOTHWAYS

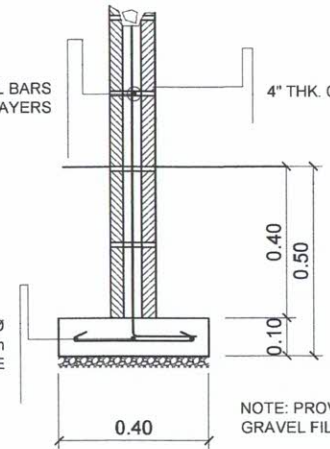
4 - 20 mm Ø VERT. BARS W/
10 mm Ø TIES 1 @ 0.05m, 2
@ 0.10m, 3 @ 0.15m, REST @
0.20m



5 - 16mm Ø DEF. STEEL BARS
SPACED @ 0.175 M.O.C. BOTHWAYS

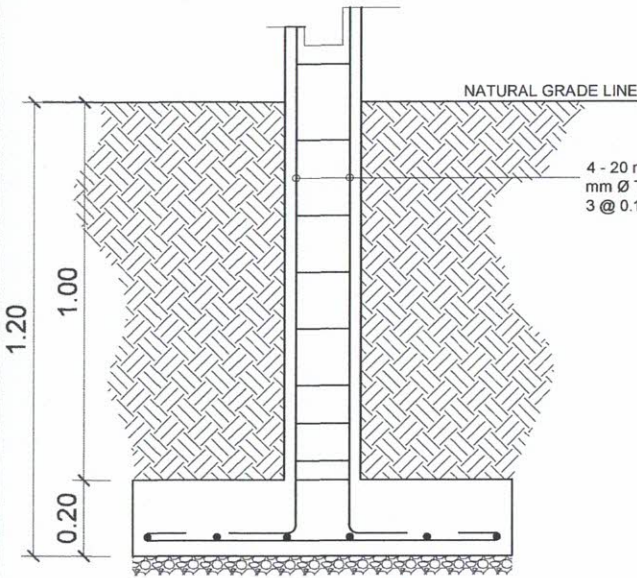
10mm Ø HORIZONTAL BARS
@ EVERY 3 LAYERS

4" THK. CHB



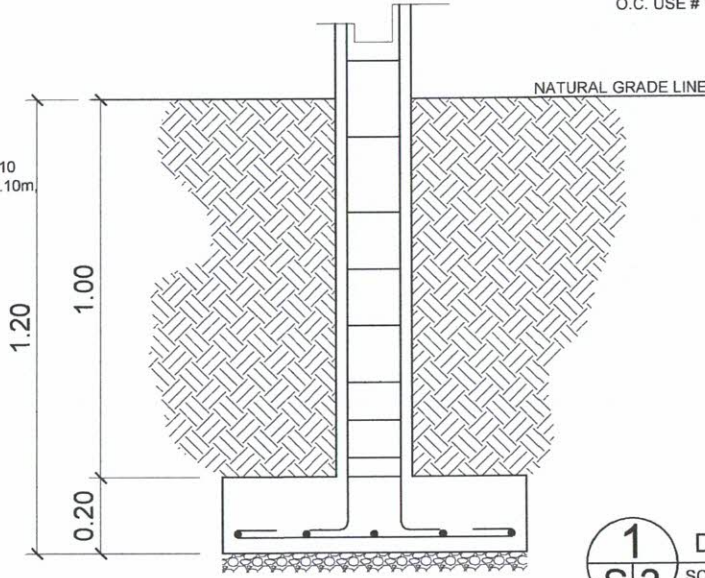
NOTE: PROVIDE 50mm THK.
GRAVEL FILLING

3 - 10mm Ø HORIZ. BARS W/ 10mmØ
TRANSVERSE BARS @ EVERY .3m
O.C. USE # 16 G.I. TIE WIRE



C1F1 DETAILS

4 - 20 mm Ø VERT. BARS W/ 10
mm Ø TIES 1 @ 0.05m, 2 @ 0.10m,
3 @ 0.15m, REST @ 0.20m

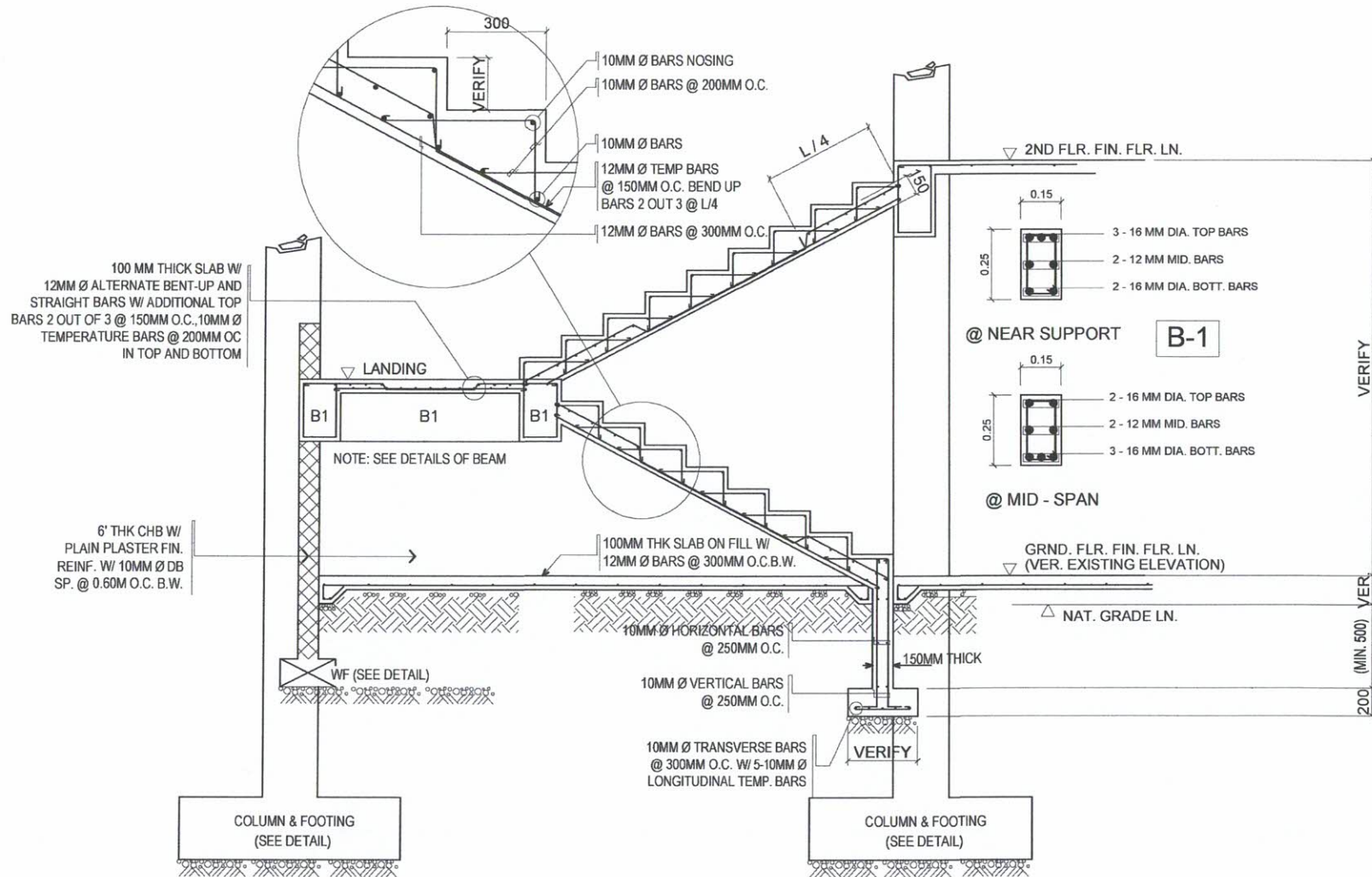


C1F2 DETAILS

WALL FOOTING DETAILS

1
S2 DETAILS OF COLUMN AND WALL FOOTING
SCALE 1 : 20 MTS.

	PREPARED BY:	END USER:	REVIEWED BY:	ENDORSED BY:	REC. APPROVAL:	APPROVED BY:	PROJECT TITLE/ LOCATION:	IMPLEMENTING AGENCY:	SHT NO.:
	J. D. ESCANO PPU OVPD	O. B. DELOS REYES DIRECTOR PLANNING OFFICE	L. E. ROCELA PPU OVPD	O. B. DELOS REYES DIRECTOR PLANNING OFFICE	M. J. D. TEPORA VPPD CVSU	C. A. POLINGA VRASS CVSU	H. D. ROBLES PRES CVSU	REPAIR AND IMPROVEMENT OF PLANNING AND INSTITUTIONAL DEVELOPMENT OFFICE CAVITE STATE UNIVERSITY MAIN CAMPUS	CAVITE STATE UNIVERSITY



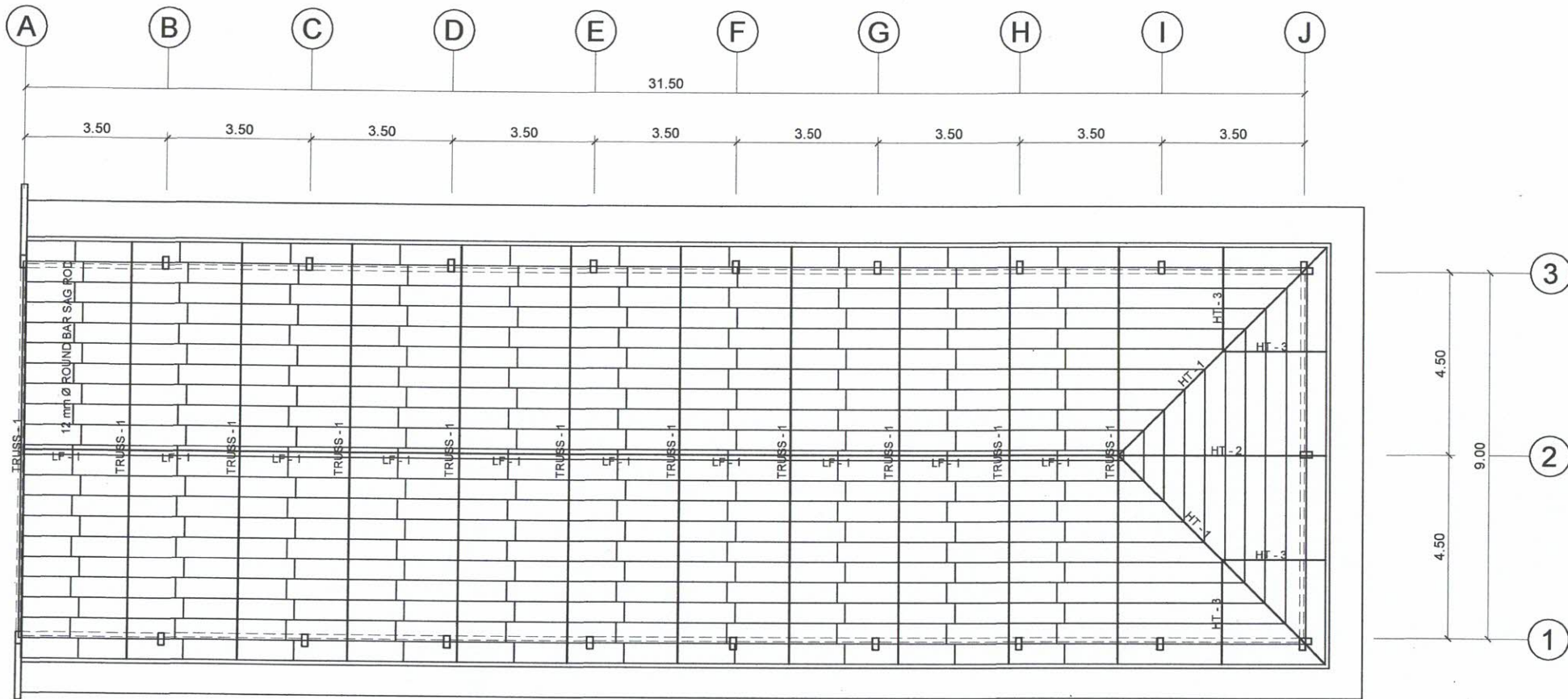
1
S3

STRUCTURAL DETAILS OF STAIRCASE

SCALE

1 : 20 MTS.

PREPARED BY:	END USER:	REVIEWED BY:	ENDORSED BY:	REC. APPROVAL:	APPROVED BY:	PROJECT TITLE/ LOCATION:	IMPLEMENTING AGENCY:	SHT NO.:
J. D. ESCANO PPU OVPPD	O. B. DELOS REYES DIRECTOR PLANNING OFFICE	L. E. ROCELA PPU OVPPD	O. B. DELOS REYES DIRECTOR PLANNING OFFICE	M. J. D. TEPORA VPPD CVSU	C. R. POLINGA VPASS CVSU	H. D. ROBLES PRES CVSU	REPAIR AND IMPROVEMENT OF PLANNING AND INSTITUTIONAL DEVELOPMENT OFFICE CAVITE STATE UNIVERSITY MAIN CAMPUS	CAVITE STATE UNIVERSITY S - 3



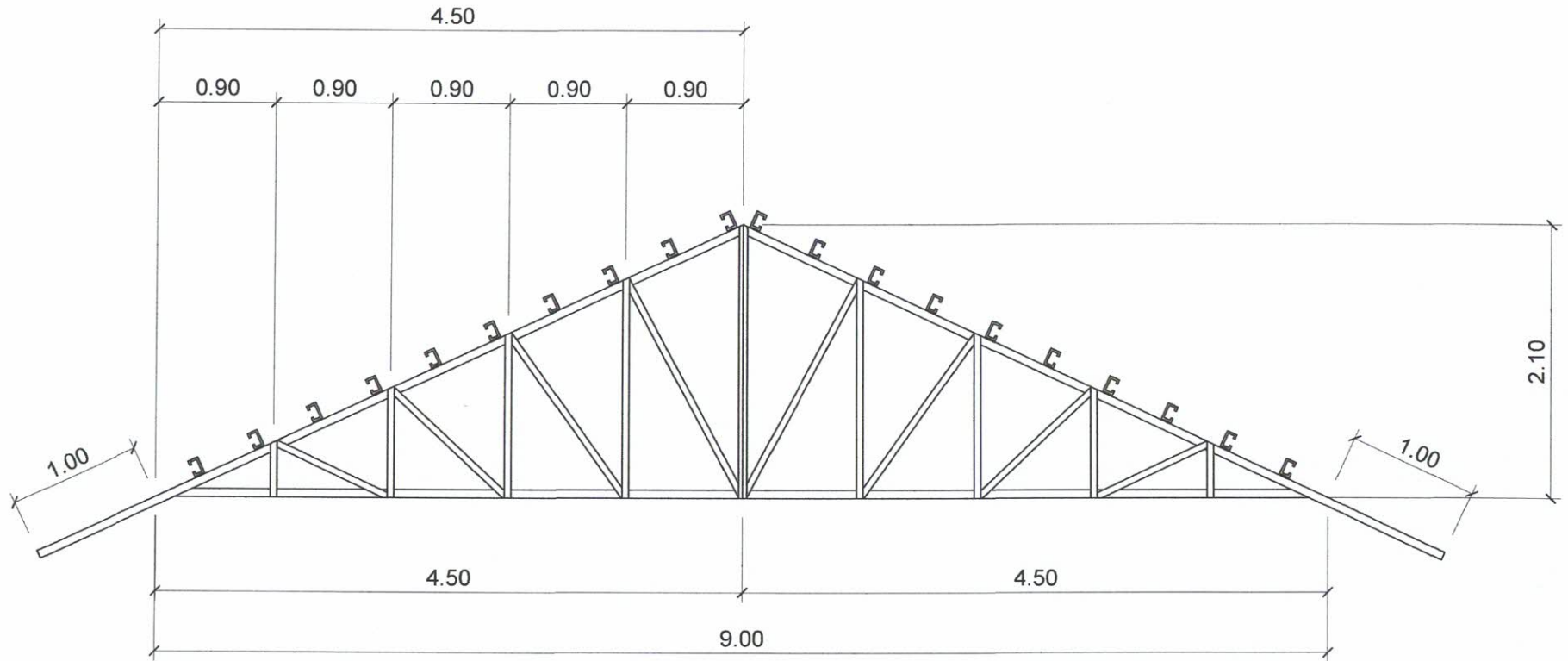
1
S4

ROOF FRAMING PLAN

SCALE

1 : 150 MTS.

PREPARED BY:	END USER:	REVIEWED BY:	ENDORSED BY:	REC. APPROVAL:	APPROVED BY:	PROJECT TITLE/ LOCATION:	IMPLEMENTING AGENCY:	SHT NO.:
J. L. ESCANO PPU	O. B. DELOS REYES DIRECTOR PLANNING OFFICE	L. E. ROCELA PPU	O. B. DELOS REYES DIRECTOR PLANNING OFFICE	M. J. D. TEPORA VPPD CVSU	G. A. POLINGA VP/ASST CVSU	H. D. ROBLES PRES CVSU	REPAIR AND IMPROVEMENT OF PLANNING AND INSTITUTIONAL DEVELOPMENT OFFICE CAVITE STATE UNIVERSITY MAIN CAMPUS	CAVITE STATE UNIVERSITY S - 4



NOTE:

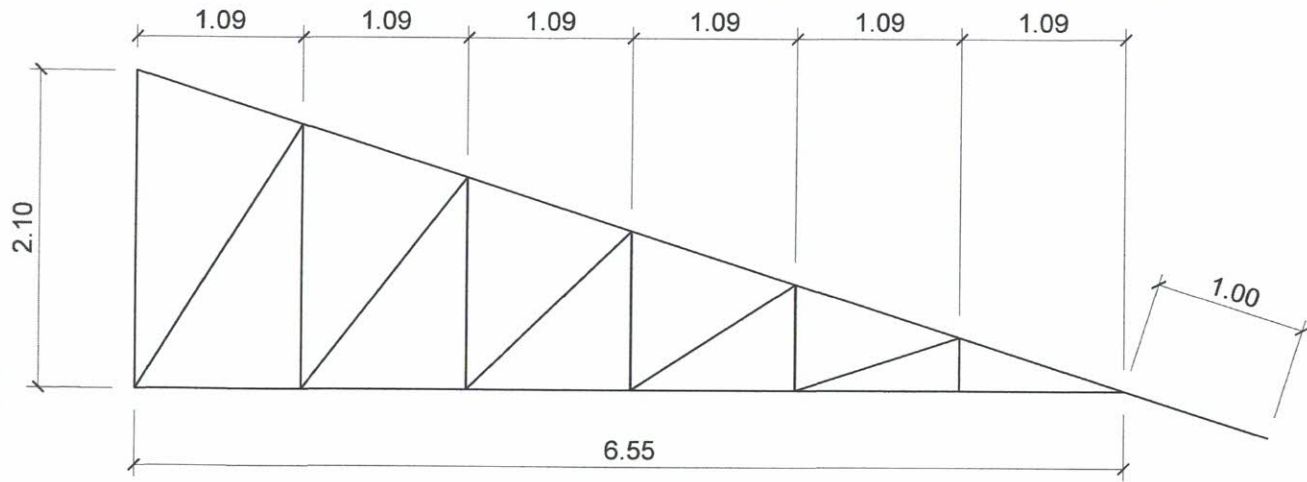
- 2 - 1/2" x 2 - 1/2" ANGLE BAR FOR TOP CHORD
- 2 - 1/2" x 2 - 1/2" ANGLE BAR FOR BOTTOM CHORD
- 2 - 1/2" x 2 - 1/2" ANGLE BAR FOR KING POST
- 2 - 2" x 2" ANGLE BAR FOR WEB MEMBERS
- 2" x 4" x 1.5mm THK. CEE PURLINS
- USE GA 24 PRE PAINTED ROOFING SHEETS
- USE GA 24 PRE FABRICATED RIDGE ROLL
- 12 mm Ø ROUND BAR SAG ROD IN BET. TRUSSES
- 10 mm THK. GUSSET PLATE WELDED BET. JOINT CONNECTIONS
- 12 mm THK. BASE PLATE WELDED ON EXISTING METAL ANCHOR BOLTS/BARS



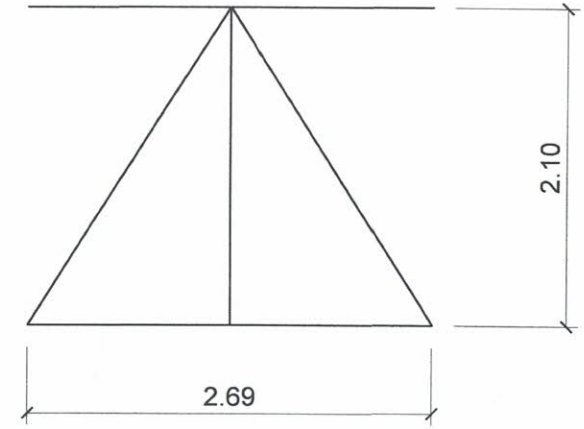
DETAILS OF TRUSS - 1

1 : 50 MTS.

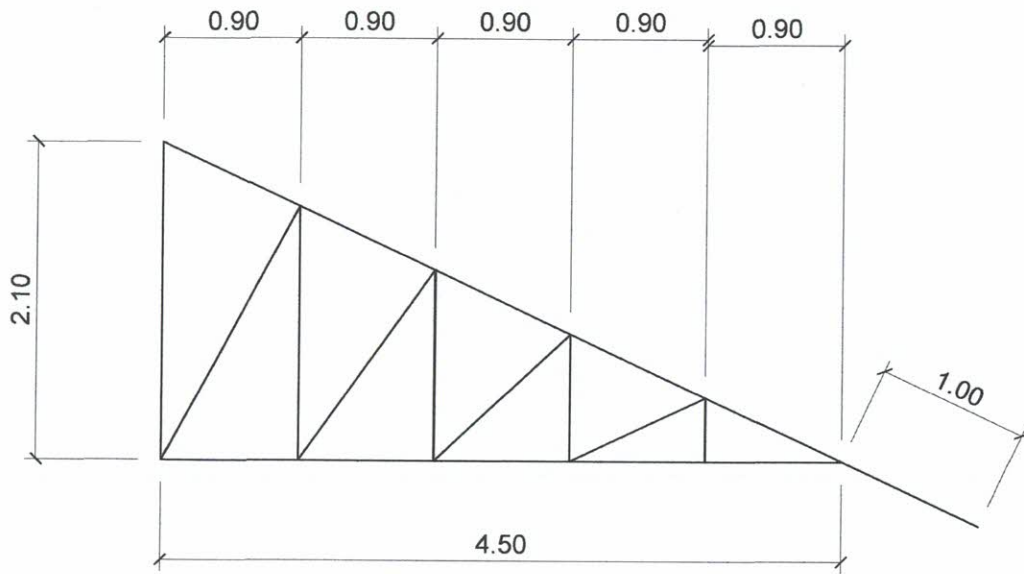
PREPARED BY:	END USER:	REVIEWED BY:	ENDORSED BY:	REC. APPROVAL:	APPROVED BY:	PROJECT TITLE/ LOCATION:	IMPLEMENTING AGENCY:	SHT NO.:
 J. D. ESCANO PPU OVP/PPD	O. B. DELOS REYES DIRECTOR PLANNING OFFICE	L. E. ROCELA PPU OVP/PPD	O. B. DELOS REYES DIRECTOR PLANNING OFFICE	M. J. D. TEPORA VPPD CVSU	C. A. PULINGA VP/AS CVSU	H. D. ROBLES P/RES CVSU	REPAIR AND IMPROVEMENT OF PLANNING AND INSTITUTIONAL DEVELOPMENT OFFICE CAVITE STATE UNIVERSITY MAIN CAMPUS	CAVITE STATE UNIVERSITY S - 5



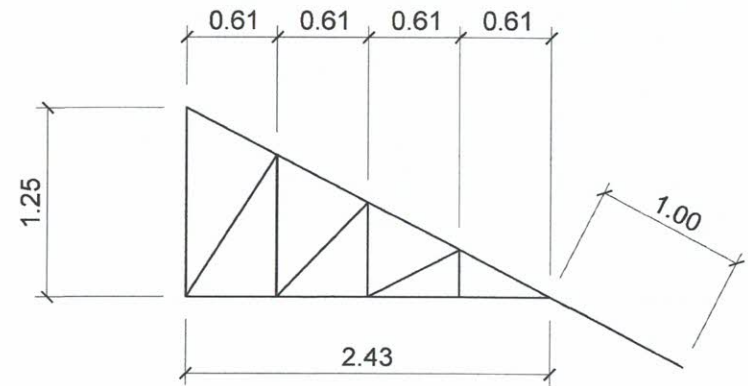
HT - 1 (2 SETS)



LF - 1 (10 SETS)



HT - 2 (1 SET)



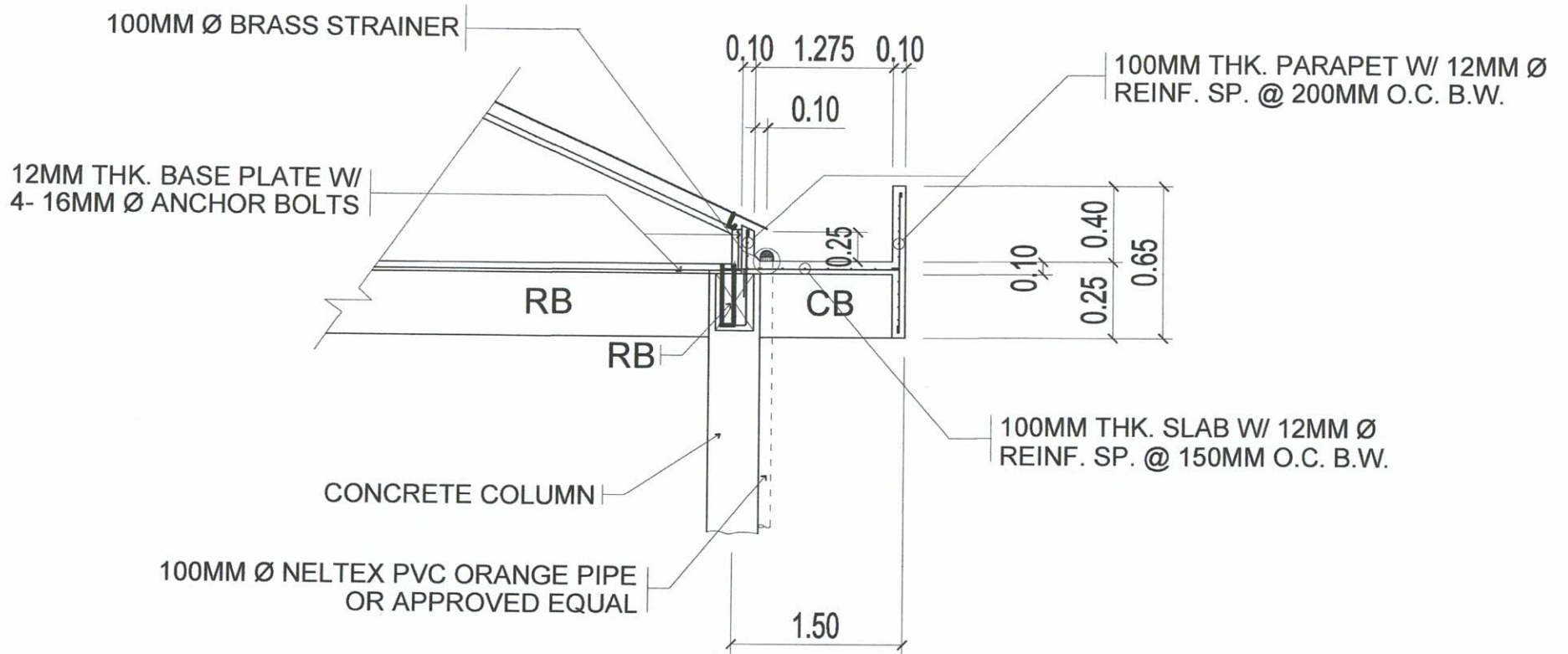
HT - 3 (4 SETS)

1
S6

DETAILS OF TRUSSES

SCALE 1 : 50 MTS.

PREPARED BY:	END USER:	REVIEWED BY:	ENDORSED BY:	REC. APPROVAL:	APPROVED BY:	PROJECT TITLE/ LOCATION:	IMPLEMENTING AGENCY:	SHT NO.:
J. D. ESCANO PPU OVP/HD	O. B. DELOS REYES DIRECTOR PLANNING OFFICE	L. E. ROCELA PPU OVP/HD	O. B. DELOS REYES DIRECTOR PLANNING OFFICE	M. J. B. TEPORA VPPD CVSU	C. A. POLINGA VPASS CVSU	H. D. ROBLES PRES CVSU	REPAIR AND IMPROVEMENT OF PLANNING AND INSTITUTIONAL DEVELOPMENT OFFICE CAVITE STATE UNIVERSITY MAIN CAMPUS	CAVITE STATE UNIVERSITY S - 6




1
S7

STRUCTURAL DETAILS OF CONCRETE GUTTER

SCALE

N. T. S.

PREPARED BY:	END USER:	REVIEWED BY:	ENDORSED BY:	REC. APPROVAL:	APPROVED BY:	PROJECT TITLE/ LOCATION:	IMPLEMENTING AGENCY:	SHT NO:
 J. D. ESCANO PPU OVPPD	O. B. DELOS REYES DIRECTOR PLANNING OFFICE	L. E. ROCELA PPU OVPPD	O. B. DELOS REYES DIRECTOR PLANNING OFFICE	M. J. D. TEPORA VPPD CVSU	C. A. POLINGA VPASS CVSU	H. D. ROBLES PRES CVSU	REPAIR AND IMPROVEMENT OF PLANNING AND INSTITUTIONAL DEVELOPMENT OFFICE CAVITE STATE UNIVERSITY MAIN CAMPUS	CAVITE STATE UNIVERSITY S - 7

GENERAL NOTES AND SPECIFICATIONS:

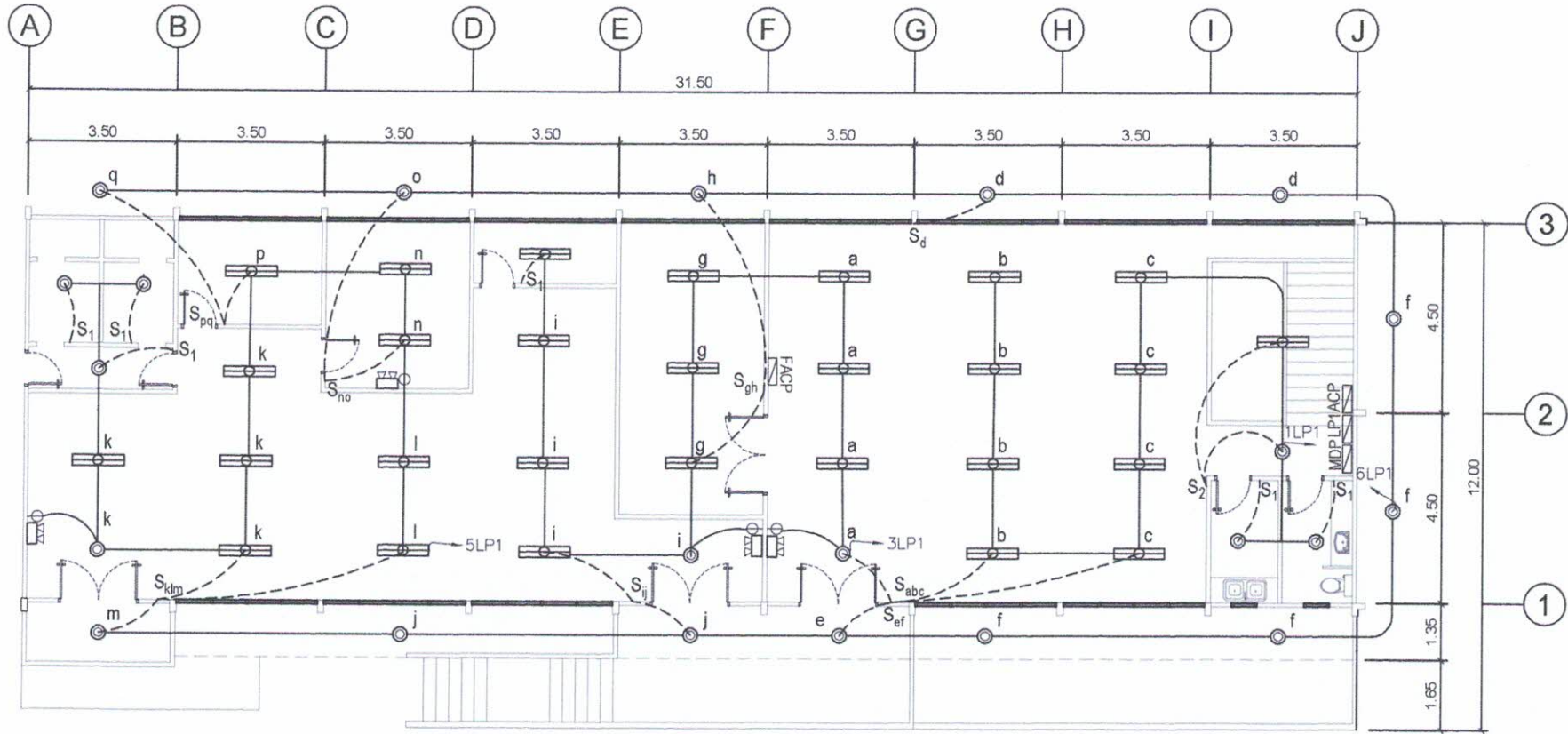
1. ALL WORK HEREIN SHALL BE DONE IN ACCORDANCE WITH THE PLANS AND SPECIFICATIONS.
2. ELECTRICAL WORKS SHALL BE IN ACCORDANCE WITH THE LATEST EDITION OF THE PHILIPPINE ELECTRICAL CODE, MUNICIPAL/CITY LAWS AND ORDINANCES AND THE REGULATIONS FO THE LOCAL POWER AND TELEPHONE COMPANY.
3. THE JOB SHALL BE EXECUTED IN THE MOST THOROUGH PROMPT AND WORKMANLIKE MANNER EMPLOYING STANDARD TOOLS, EQUIPMENT, METHODS AND GOOD ENGINEERING PRACTICE. THE JOB SHALL BE DONE IN ALL ASPECTS AS REQUIRED PER PLANS AND SPECIFICATIONS AND READY FOR OPERATION.
4. THE DRAWINGS AND SPECIFICATIONS ARE INTENDED TO PERSENT A GENERAL LAYOUT AND BROAD OUTLINE/DESCRIPTION OF THE PROJECT, BUT DO NOT NECESSARILY INDICATE OR DESCRIBE ACTUAL LOCATIONS, LEVELS AND DISTANCES OF THE EQUIPMENT. THE CONTRACTOR IS HEREBY REQUIRED TO MAKE SUCH ADJUSTMENTS AT THE JOBSITE THAT ARE GOVERNED BY ACTUAL FIELD CONDITION.
5. SERVICE VOLTAGE TO THE BUILDING FROM THE POWER SOURCE SHALL BE 230V.
6. SERVICE ENTRANCE WIRING SHALL BE RIGID STEEL CONDUIT (RSC).
7. FEEDER WIRING SHALL BE ELECTRICAL METALLIC TUBING (EMT).
8. BRANCH CIRCUIT WIRING ELECTRICAL METALLIC TUBING (EMT).
9. BRANCH CIRCUIT WIRING EMBEDDED IN CONCRETE SHALL BE IN PVC PIPE WITH ADEQUATE GROUND WIRE FOR EQUIPMENT GROUNDING.
10. LIGHT SWITCHES SHALL BE 15A, 230VAC.
11. ALL MATERIALS SHALL BE BRAND NEW AND OF APPROVED TYPE FOR LOCATION AND PURPOSE INTENDED.
12. DEVICES, FIXTURES LOCATED OUTDOOR SHALL BE WEATHERPROOF TYPE.
13. MOUNTING HEIGHTS ARE:

A. LIGHT SWITCHES	1.40M ABOVE FLOOR FINISH
B. CONVENIENCE OUTLETS	0.30M ABOVE FLOOR FINISH
C. COUNTER TOP C.O.	0.30M TO .50M ABOVE THE COUNTER
D. TELEPHONE OUTLETS	0.30M ABOVE FLOOR FINISH
E. PANEL BOARD	1.50M ABOVE FLOOR FINISH
F. EMERGENCY LIGHT	0.30M BELOW CEILING LINE
14. ANY DISCREPANCY BETWEEN THE PLANS AND SPECIFICATIONS SHALL BE BROUGHT TO THE ATTENTION OF THE ENGINEER FOR CLARIFICATION OR DECISION.
15. THE ENTIRE WORK SHALL BE DONE UNDER THE DIRECT SUPERVISION OF DULY REGISTERED ELECTRICAL ENGINEER.
16. REFER TO SHEETS E-2 TO E-4 FOR EXACT NUMBER AND LOCATION OF DEVICES/EQUIPMENT FOR ELECTRICAL SYSTEM. ANY CONFLICT ON QUANTITY AND/OR LAYOUT MUST BE VERIFIED AND CONFIRMED TO DESIGNER/CONSULTANT.
17. REFER TO LOAD SCHEDULE FOR THE RATING OF INDIVIDUAL ENCL, ACB'S IN NEMA-3R.
18. ALL ELECTRICAL CONDUITS AND TELEPHONE SERVICE ENTRANCE THAT INSTALLED BELOW THE GROUND SHALL BE IN CONCRETE ENCASEMENT.
19. ANY DEVICES OR EQUIPMENT NOT REFLECTED OR SHOWN ON PLANS BUT REQUIRED TO COMPLETE THE SYSTEM MUST BE INCLUDED ON SCOPE OF WORK.
20. REQUEST FOR TEMPORARY POWER INTERRUPTION SHOULD BE COORDINATED TO OWNER'S REPRESENTATIVE OR DESIGNER.
21. THE SIZE OF GENERATOR IS 40% OF THE TOTAL VA LOAD. THIS IS INTENDED TO SUPPLY ELECTRIC POWER FOR LIGHTINGS AND OTHER IMPORTANT APPLIANCES DURING THE POWER INTERRUPTION OF MAIN POWER SOURCE.

LEGEND AND SYMBOLS :

	1-12W LED SURFACE MOUNTED PANEL LIGHT ROUND, RECESSED		ACU CONDENSER OUT DOOR UNIT WITH NEMA 3R CIRCUIT BREAKER
	LED SPOT LIGHT, 100W, IP65 (SL)		ACU WALL/FLOOR MOUNTED, SPLIT TYPE, INDOOR UNIT
	1-9W LIGHT TUBE, T5 w/ FIXTURES 2 FT. LENGTH (FL)		2.0 mm ² THHN
	2-9W LIGHT TUBE, T5 w/ FIXTURES 2 FT. LENGTH (FL)		3.5 mm ² THHN
	1-18W LIGHT TUBE, T8 w/ FIXTURES 4 FT. LENGTH (FL)		CIRCUIT HOMERUN
	2-18W LIGHT TUBE, T8 w/ FIXTURES 4 FT. LENGTH (FL)		CIRCUIT NUMBER
	EMERGENCY LIGHT (EL)		PANEL BOARD
	LED EXT/FIRE EXT SIGN (FEL)		SERVICE ENTRANCE
	S ₁ S _A ONE GANG SWITCH		KILOWATT HOUR METER
	S ₂ S _{AB} TWO GANG SWITCH		CONCRETE ENCASEMENT
	S ₃ THREE GANG SWITCH		CABLE CHAMBER
	S _{3W} , S _{a3W} THREE WAY SWITCH		DISTRIBUTION TRANSFORMER
	CF CEILING FAN OUTLET		PRIMARY CONCRETE POLE
	CO TWO GANG CONVENIENCE OUTLET		SERVICE ENTRANCE PEDESTAL WITH DISCONNECTING SWITCH
	ACU THREE PIN ACU OUTLET		TRUSS/DOWN GUY SUPPORT
	ACU WINDOW TYPE		PRIMARY LINE

	PREPARED BY:	END USER:	REVIEWED BY:	ENDORSED BY:	REVIEW APPROVAL:	APPROVED BY:	PROJECT TITLE/ LOCATION:	IMPLEMENTING AGENCY:	SHT NO.:
	R. J. R. SANCHEZ PPU OVPPD	O. B. DELOS REYES DIRECTOR PLANNING OFFICE	R. P. PENIA PPU OVPPD	O. B. DELOS REYES DIRECTOR PLANNING OFFICE	M. J. D. TEPORA VPPD CVSU	C. A. ROLINGA VP/SS CVSU	H. D. ROBLES PRES CVSU	REPAIR AND IMPROVEMENT OF PLANNING AND INSTITUTIONAL DEVELOPMENT OFFICE CAVITE STATE UNIVERSITY MAIN CAMPUS	CAVITE STATE UNIVERSITY



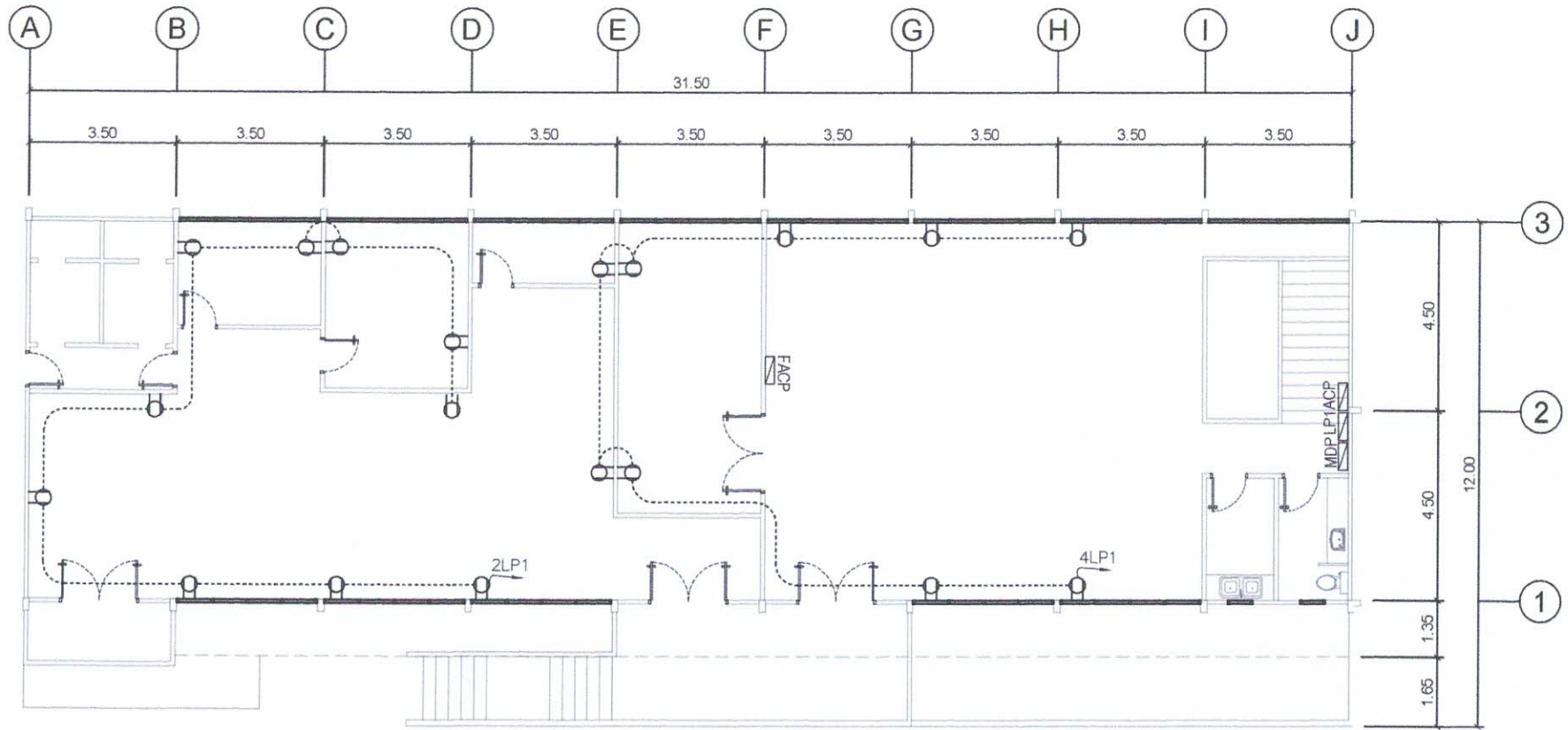
1
E2

LIGHTING PLAN LAYOUT

SCALE

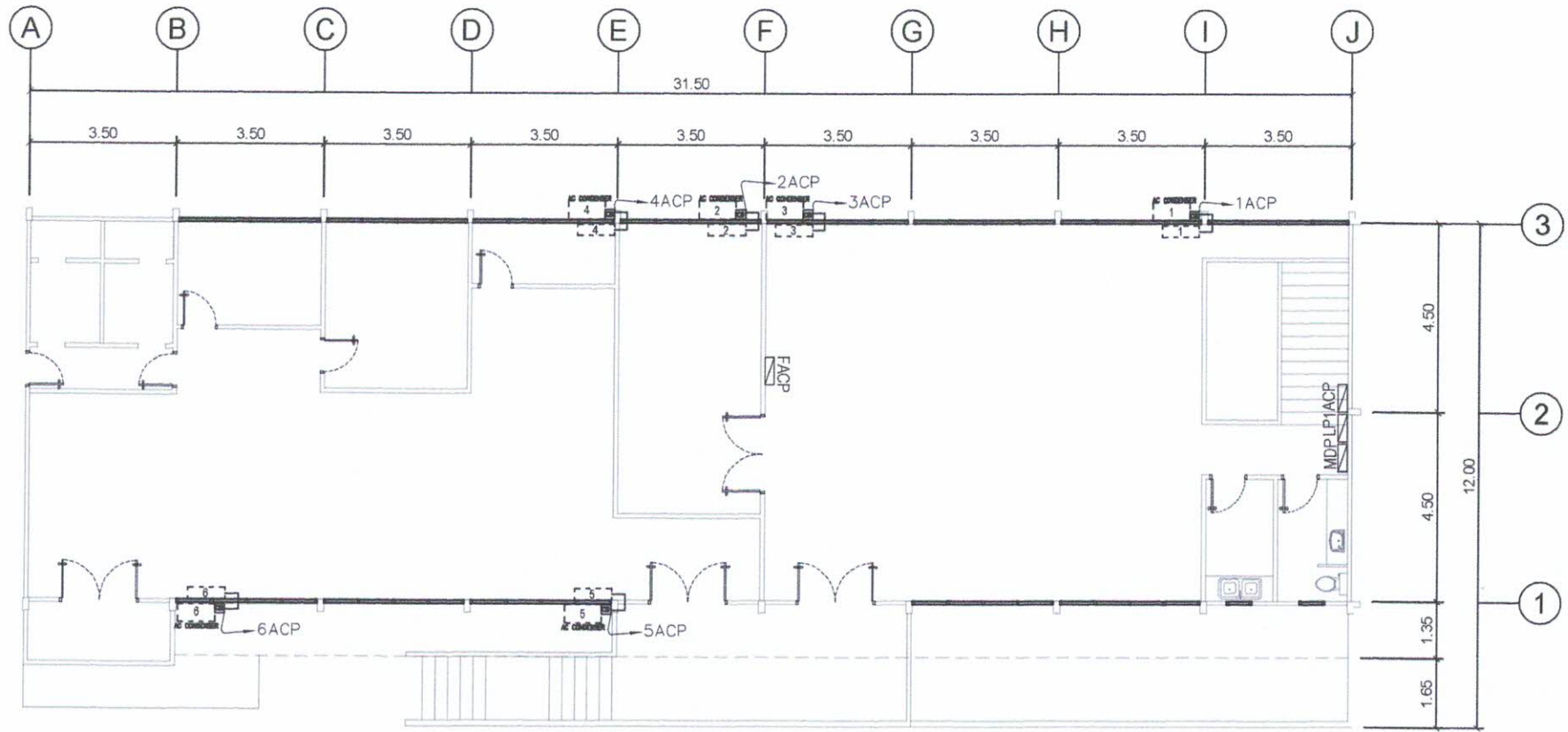
1 : 150 MTS.

PREPARED BY:	END USER:	REVIEWED BY:	ENDORSED BY:	REC. APPROVAL:	APPROVED BY:	PROJECT TITLE/LOCATION:	IMPLEMENTING AGENCY:	SHT NO.:
R. J. R. SANCHEZ PPU OVPVPD	O. B. DELOS REYES DIRECTOR PLANNING OFFICE	R. P. PENA PPU OVPVPD	O. B. DELOS REYES DIRECTOR PLANNING OFFICE	M. J. D. TEJORA VPPD CVSU	C. A. POLINGA VPAPS CVSU	J. D. ROBLES PRES CVSU	REPAIR AND IMPROVEMENT OF PLANNING AND INSTITUTIONAL DEVELOPMENT OFFICE CAVITE STATE UNIVERSITY MAIN CAMPUS	CAVITE STATE UNIVERSITY E - 2



1 CONVENIENCE OUTLET LAYOUT
E3 SCALE 1 : 150 MTS.

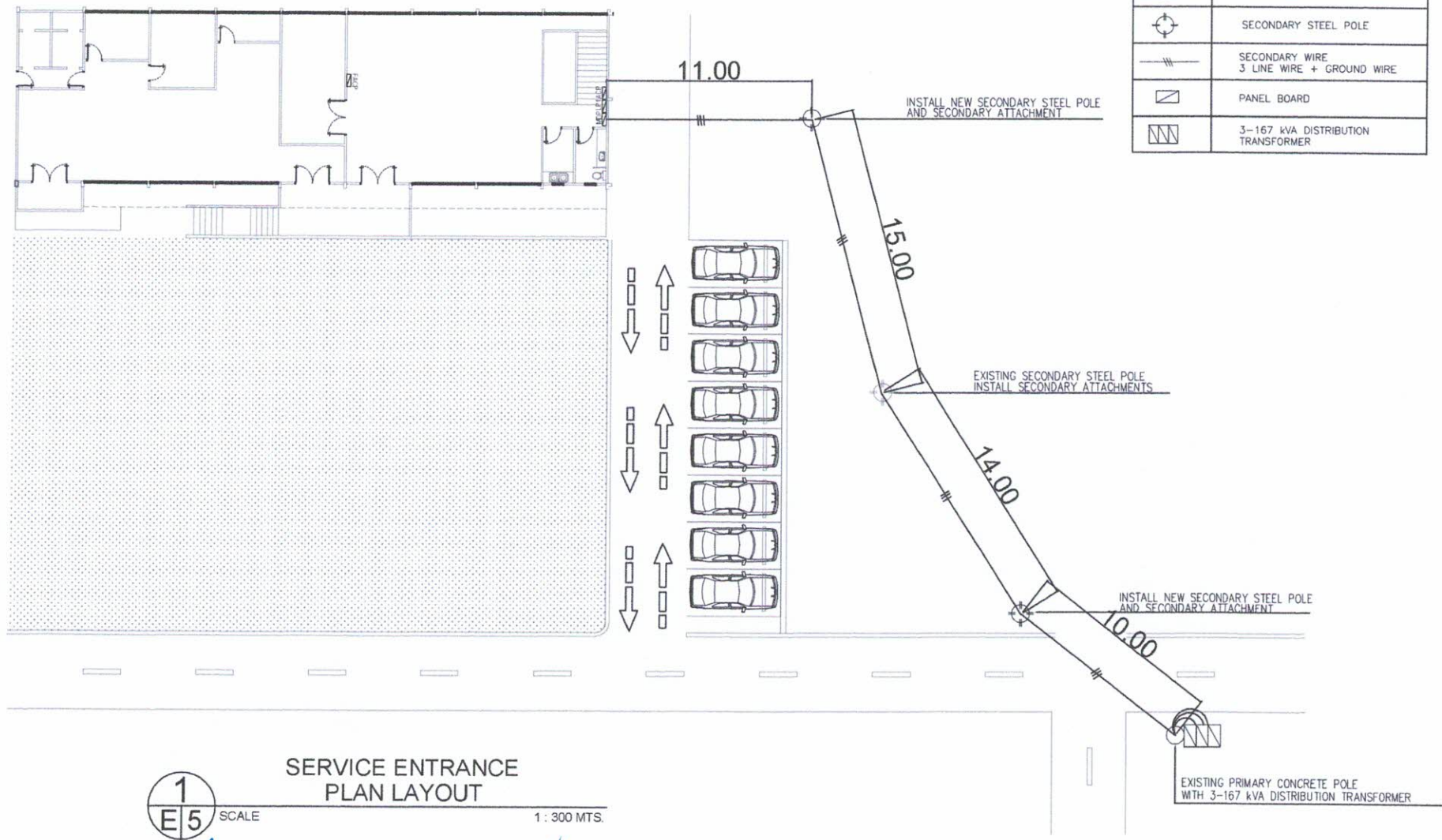
	PREPARED BY:	END USER:	REVIEWED BY:	ENDORSED BY:	REC. APPROVAL:	APPROVED BY:	PROJECT TITLE/ LOCATION:	IMPLEMENTING AGENCY:	SHT NO.:
	R. J. R. SANCHEZ PPU OVPPD	O. B. DELOS REYES DIRECTOR PLANNING OFFICE	R. P. PENA PPU OVPPD	O. B. DELOS REYES DIRECTOR PLANNING OFFICE	M. J. D. EPORA VPPD CVSU	C. A. POLINGA VP/AS CVSU	H. D. ROBLES PRES CVSU	REPAIR AND IMPROVEMENT OF PLANNING AND INSTITUTIONAL DEVELOPMENT OFFICE CAVITE STATE UNIVERSITY MAIN CAMPUS	CAVITE STATE UNIVERSITY



1
E4
SCALE
A/C UNIT POWER LAYOUT
1 : 150 MTS.

PREPARED BY:	END USER:	REVIEWED BY:	ENDORSED BY:	REC. APPROVAL:	APPROVED BY:	PROJECT TITLE/ LOCATION:	IMPLEMENTING AGENCY:	SHT NO.:
 R. J. R. SANCHEZ <small>PPU OVPD</small>	 Q. B. DELOS REYES <small>DIRECTOR PLANNING OFFICE</small>	 R. J. R. SANCHEZ <small>PPU OVPD</small>	 M. J. D. TEPORA <small>VPPD CVSU</small>	 C. A. POLINGA <small>VPASS CVSU</small>	 H. D. ROBLES <small>PRES CVSU</small>	REPAIR AND IMPROVEMENT OF PLANNING AND INSTITUTIONAL DEVELOPMENT OFFICE <small>CAVITE STATE UNIVERSITY MAIN CAMPUS</small>	CAVITE STATE UNIVERSITY	E - 4

LEGEND AND SYMBOLS :	
	PRIMARY CONCRETE POLE
	SECONDARY STEEL POLE
	SECONDARY WIRE 3 LINE WIRE + GROUND WIRE
	PANEL BOARD
	3-167 kVA DISTRIBUTION TRANSFORMER



1
E5 SCALE 1 : 300 MTS.

**SERVICE ENTRANCE
PLAN LAYOUT**

PREPARED BY:	END USER:	REVIEWED BY:	ENDORSED BY:	REC. APPROVAL:	APPROVED BY:	PROJECT TITLE/ LOCATION:	IMPLEMENTING AGENCY:	SHT NO.:	
R. J. R. SANCHEZ PPL / CVPPD	O. B. DELOS REYES DIRECTOR / PLANNING OFFICE	<i>[Signature]</i> PPL / OVPPD	O. B. DELOS REYES DIRECTOR / PLANNING OFFICE	M. J. D. TEPORA VPPD / CVSU	<i>[Signature]</i> VPRSS / CVSU	H. D. ROBLES CVSU	REPAIR AND IMPROVEMENT OF PLANNING AND INSTITUTIONAL DEVELOPMENT OFFICE CAVITE STATE UNIVERSITY MAIN CAMPUS	CAVITE STATE UNIVERSITY	E - 5

SCHEDULE OF LOADS AND COMPUTATION

PANEL : LP1 (LIGHTING AND POWER PANEL 1) **CABLE: 3 - 5.5 SQMM THHN+ 1 - 2.0 SQMM THW** **MAIN: 40AT, 50AF, 3P, 230V, MCCB**
CONDUIT: PVC, 25 MM DIA. **ENCLOSURE : NEMA 1**
PHASE: 3 **LOCATION: UPPER GROUND FLOOR** **MOUNTING: SURFACE**
VOLTS: 230

Ckt No.	Circuit Description	No of Outlet	LOAD IN RATING			AMPERES			CIRCUIT PROTECTION RATING	Size of Conductor		Size of Conduit in MM ϕ	Color Code
			Volts	Amp	VOLT	AB	CA	BC		SQ MM THHN	SQ MM THW(G)		
1	LIGHTING OUTLET (9 FL + 3 PL)	12	1200	230	5.22			15AT, 2P, 230V, MCCB	2 - 2.0		PVC, 20	1R, 1B	
2	CONVENIENCE OUTLET	10	1800	230	7.83			20AT, 2P, 230V, MCCB	2 - 3.5	G - 2.0	PVC, 20	1R, 1B, G	
3	LIGHTING OUTLET (10 FL + 2 EL + 2 PL)	14	1400	230		6.09		15AT, 2P, 230V, MCCB	2 - 2.0		PVC, 20	1B, 1Y	
4	CONVENIENCE OUTLET	9	1600	230		7.04		20AT, 2P, 230V, MCCB	2 - 3.5	G - 2.0	PVC, 20	1B, 1Y, G	
5	LIGHTING OUTLET (9 FL + 4 PL + 2 EL)	15	1500	230			6.52	15AT, 2P, 230V, MCCB	2 - 2.0		PVC, 20	1Y, 1R	
6	LIGHTING OUTLET (13 FL)	13	1300	230			5.65	15AT, 2P, 230V, MCCB	2 - 2.0		PVC, 20	1Y, 1R	
	SPARE												
	SPARE												
TOTAL			8820	230	13	13	12	40AT, 3P, 230V, MCCB	3 - 5.5 + G - 2.0	PVC, 25	1R, 1B, 1Y, G		

MAIN FEEDER and CURRENT PROTECTION COMPUTATION

NOTE

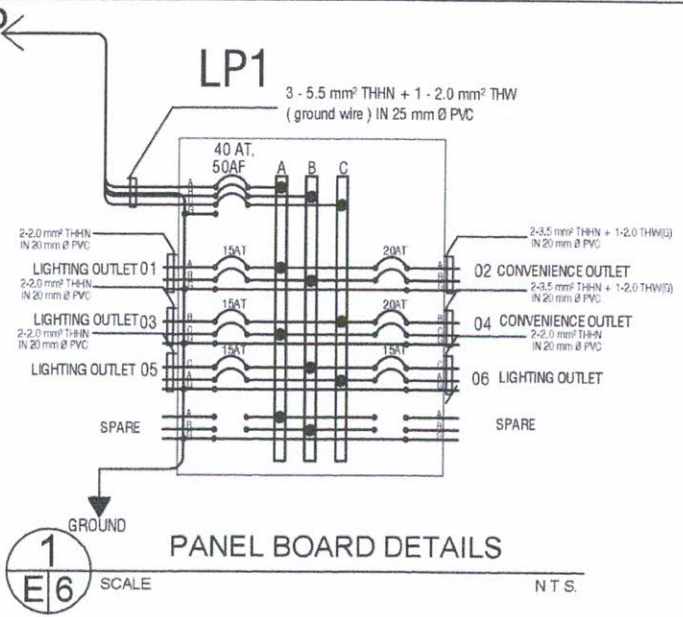
$I_{PL} = \frac{(13 \times 1.732) \text{ CF } \cdot \cdot}{\cdot \cdot} = 18.01 \text{ Amperes}$

$I_{CB} = \frac{(13 \times 1.732) \text{ CF } \cdot \cdot}{\cdot \cdot} = 18.01 \text{ Amperes}$

G - Means Ground Wire
 1R- Color RED
 1B- Color BLACK
 1Y- Color YELLOW
 1G- Color GREEN

use: **3 - 5.5 SQMM THHN+ 1 - 2.0 SQMM THW IN 25 MM DIA. PVC**
 use: **40AT, 50AF, 3P, 230V, MCCB**

This Electrical Design is good only for the above connected loads. Any additional electrical load connection in the future is not allowed, Except redesign of electrical load system will be done.



PANEL : ACP (ACU POWER PANEL) **CABLE: 3 - 38.0 SQMM THHN+ 1 - 14.0 SQMM THW** **MAIN: 125 AT, 200 AF, 3P, 230V, MCCB**
CONDUIT: PVC, 32 MM DIA. **ENCLOSURE : NEMA 1**
PHASE: 3 **LOCATION: UPPER GROUND FLOOR** **MOUNTING: SURFACE**
VOLTS: 230

Ckt No.	Circuit Description	No of Outlet	LOAD IN RATING			AMPERES			CIRCUIT PROTECTION RATING	Size of Conductor		Size of Conduit in MM ϕ	Color Code
			Volts	Amp	VOLT	AB	CA	BC		SQ MM THHN	SQ MM THW(G)		
1	A/C UNIT 3.0 HP	1	3910	230	17.00			40AT, 2P, 230V, MCCB	2 - 5.5 + G 2.0		PVC, 20	1R, 1B, G	
2	A/C UNIT 2.0 HP	1	2760	230	12.00			30AT, 2P, 230V, MCCB	2 - 5.5 + G 2.0		PVC, 20	1R, 1B, G	
3	A/C UNIT 3.0 HP	1	3910	230		17.00		40AT, 2P, 230V, MCCB	2 - 5.5 + G 2.0		PVC, 20	1B, 1Y, G	
4	A/C UNIT 1.5 HP	1	2300	230		10.00		30AT, 2P, 230V, MCCB	2 - 5.5 + G 2.0		PVC, 20	1B, 1Y, G	
5	A/C UNIT 3.0 HP	1	3910	230			17.00	40AT, 2P, 230V, MCCB	2 - 5.5 + G 2.0		PVC, 20	1Y, 1R, G	
6	A/C UNIT 3.0 HP	1	3910	230			17.00	40AT, 2P, 230V, MCCB	2 - 5.5 + G 2.0		PVC, 20	1Y, 1R, G	
	SPARE												
	SPARE												
TOTAL			20700	230	29	27	34	125AT, 3P, 230V, MCCB	3 - 38.0 + G 14.0	PVC, 32	1R, 1B, 1Y, G		

MAIN FEEDER and CURRENT PROTECTION COMPUTATION

NOTE

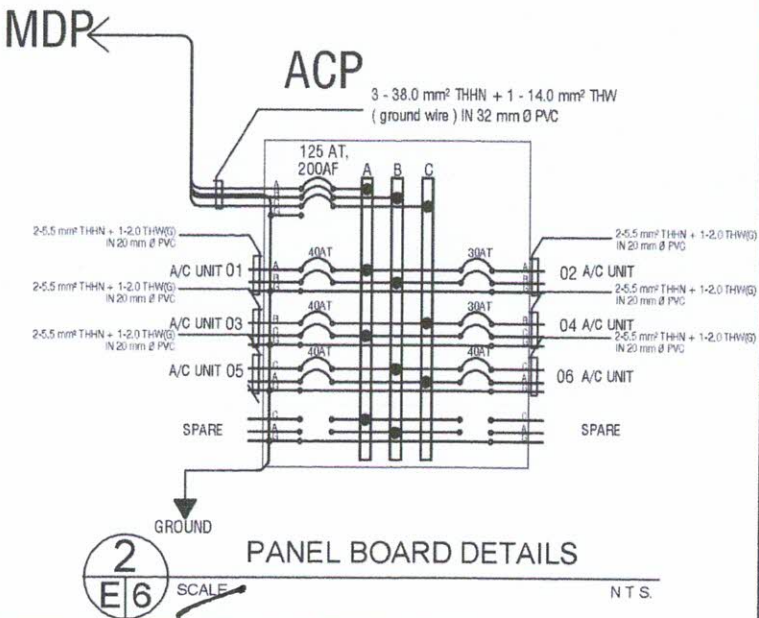
$I_{PL} = \frac{[(34 \times 1.732) \cdot (25\% \times 1m)]}{\cdot \cdot} = 63.14 \text{ Amperes}$

$I_{CB} = \frac{[(34 \times 1.732) \cdot (250\% \times 1m)]}{\cdot \cdot} = 101.39 \text{ Amperes}$

G - Means Ground Wire
 1R- Color RED
 1B- Color BLACK
 1Y- Color YELLOW
 1G- Color GREEN

use: **3 - 38.0 SQMM THHN+ 1 - 14.0 Sq MM THW IN 32 MM DIA. PVC**
 use: **125AT, 200AF, 3P, 230V, MCCB**

This Electrical Design is good only for the above connected loads. Any additional electrical load connection in the future is not allowed, Except redesign of electrical load system will be done.



	PREPARED BY:	END USER:	REVIEWED BY:	ENDORSED BY:	REG. APPROVAL:	APPROVED BY:	PROJECT TITLE/LOCATION:	IMPLEMENTING AGENCY:	SHT NO.:
	R. J. R. SANCHEZ PPU OVP/PPD	O. B. DELOS REYES REGISTRAR PLANNING OFFICE		O. B. DELOS REYES DIRECTOR PLANNING OFFICE	M. J. D. TEPORA VPPD CVSU	C. A. POLINGA VP/AS CVSU	M. D. ROBLES PRES CVSU	REPAIR AND IMPROVEMENT OF PLANNING AND INSTITUTIONAL DEVELOPMENT OFFICE CAVITE STATE UNIVERSITY MAIN CAMPUS	CAVITE STATE UNIVERSITY

PANEL : MDP CABLE: 3 - 50.0 SQMM THHN+ 1 - 14.0SQMM THW MAIN: 150 AT, 200AF, 3P, 230V, MCCB
 CONDUIT: RSC, 40 MM DIA. ENCLOSURE : NEMA 1
 PHASE: 3 LOCATION: UPPER GROUND FLOOR MOUNTING: SURFACE
 VOLTS: 230

CKT NO.	CIRCUIT DESCRIPTION	PANEL	LOAD IN RATING					CIRCUIT PROTECTION	Size of Conductor		Size Of Conduit In MM ø	Color Code
			Volt- Amp	VOLT	AMPERES				SQ. MM THHN	SQ. MM THW(G)		
					AB	CA	BC					
1	LIGHTING AND POWER PANEL 1	LP1	8820	230	13	13	12	40AT, 3P, 230V, MCCB	3 - 5.5	+ G - 2.0	PVC, 25	1R,1B,1Y,G
2	ACU POWER PANEL	ACP	20700	230	29	27	34	125AT, 3P, 230V, MCCB	3 - 38.0	+ G 14.0	PVC, 32	1R,1B,1Y,G
3	FIRE ALARM SYSTEM	FACP	500	230		2		15AT, 2P, 230V, MCCB	2-2.0		PVC, 20	1B,1Y
4	SPARE											
TOTAL			29980	230	42	42	46	150AT, 3P, 230V, MCCB	3 - 50.0	+ G 14.0	RSC, 40	1R,1B,1Y, G

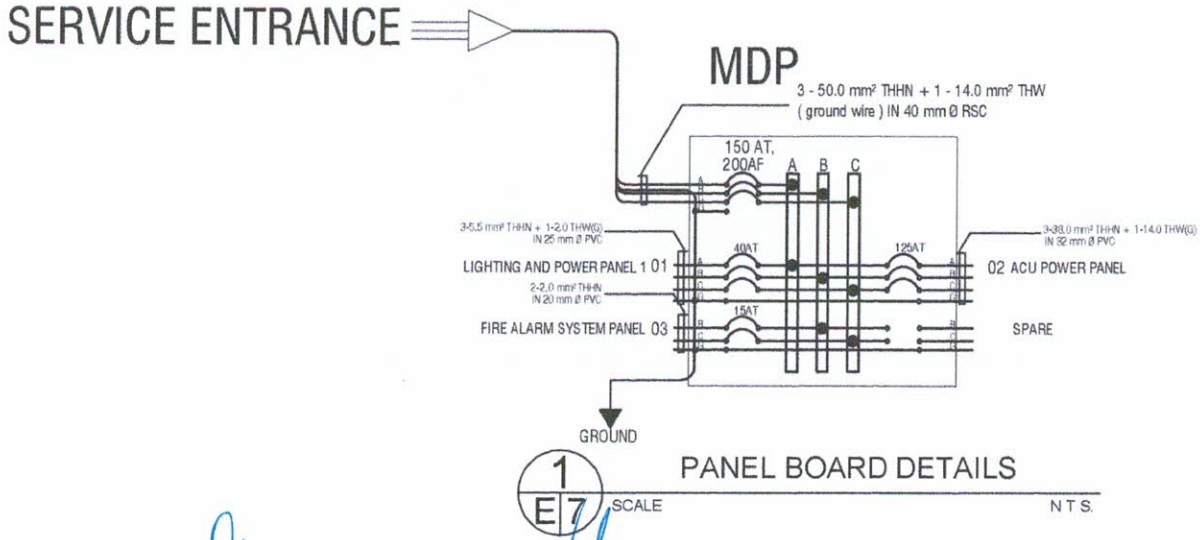
MAIN FEEDER and CURRENT PROTECTION COMPUTATION:

NOTE: $I_{FL} = 46 \times 1.732 = 79.67$ Amperes
 $I_{CB} = 46 \times 1.732 = 79.67$ Amperes

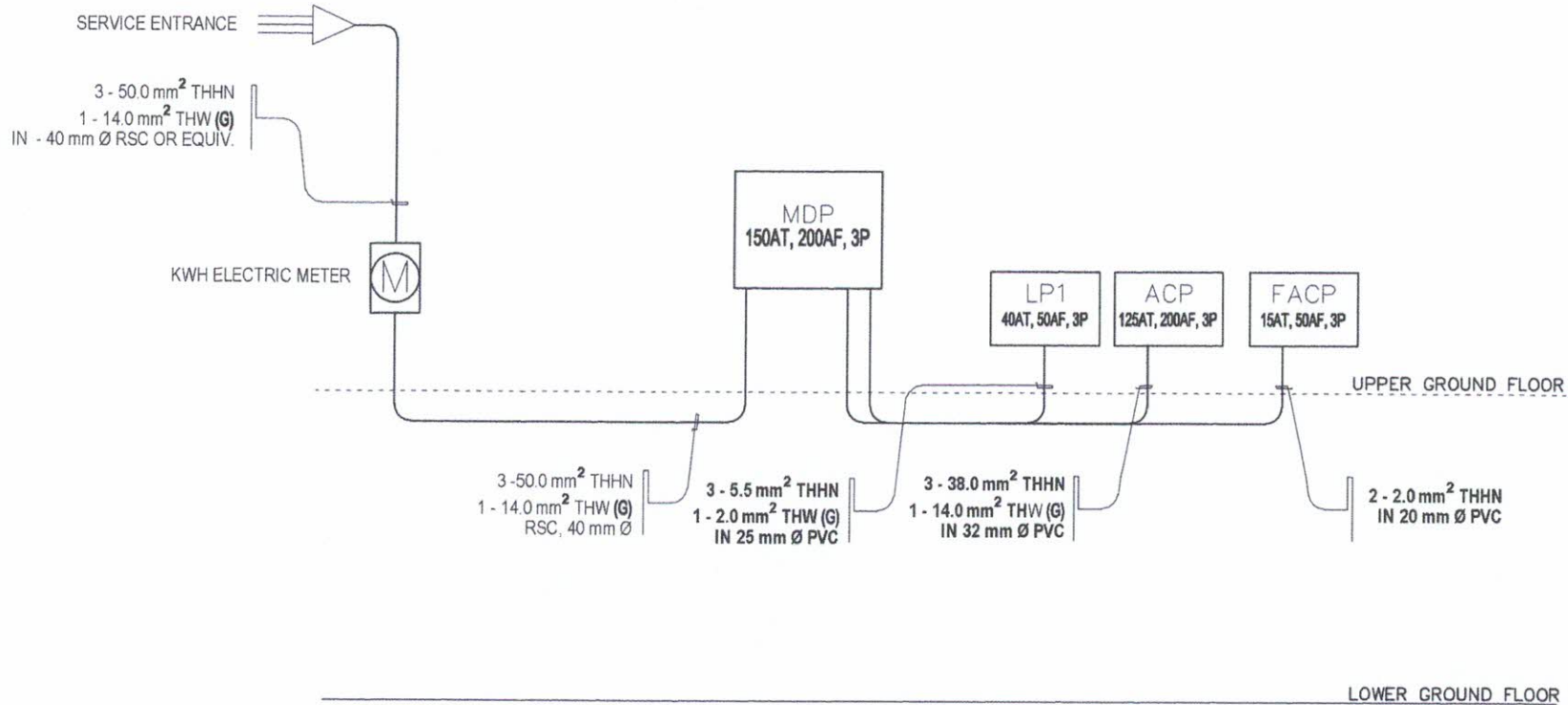
G - Means Ground Wire
 1R- Color RED
 1B- Color BLACK
 1Y- Color YELLOW
 1G- Color GREEN

use: 3 - 50.0 SQMM THHN+ 1 - 14.0 SQMM THW IN 40 MM DIA. RSC
 use: 150AT, 200AF, 3P, 230V, MCCB

**This Electrical Design is good only for the above connected loads.
 Any additional electrical load connection in the future is not allowed,
 Except redesign of electrical load system will be done.**

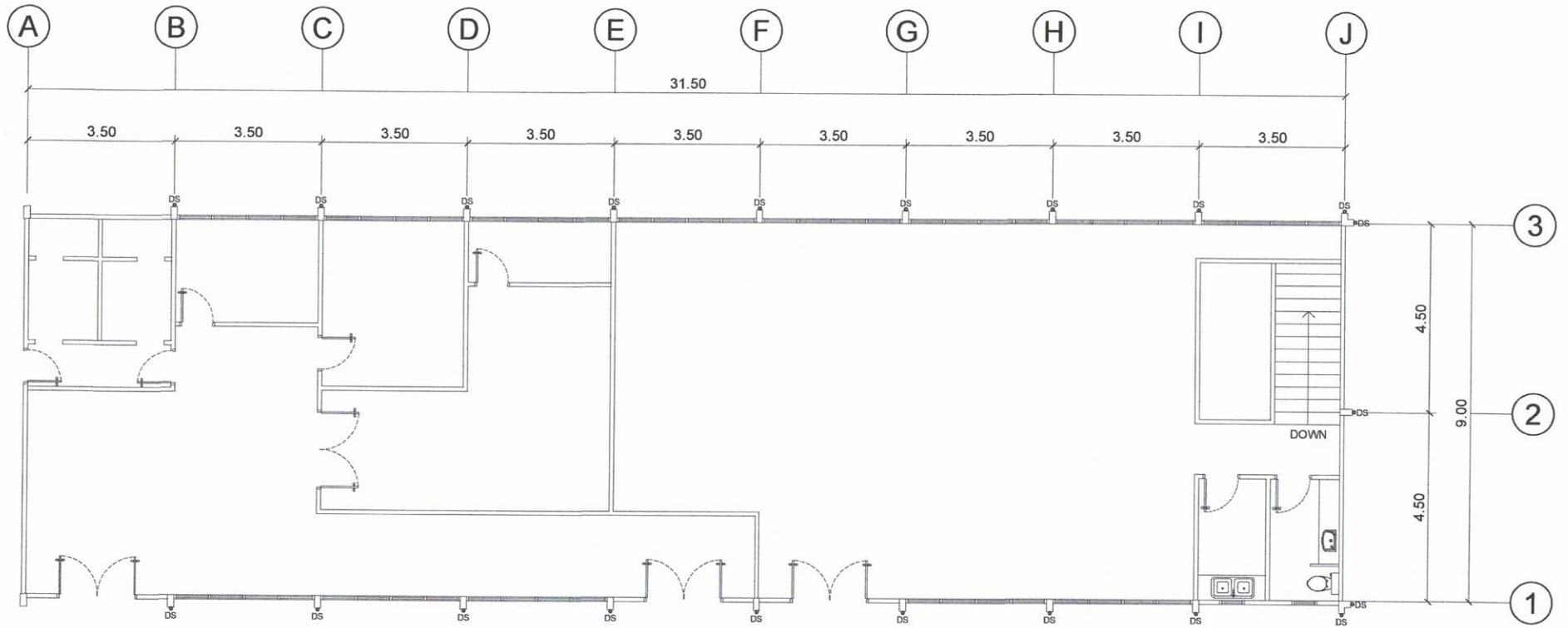


	PREPARED BY:	END USER:	REVIEWED BY:	ENDORSED BY:	REC. APPROVAL:	APPROVED BY:	PROJECT TITLE/ LOCATION:	IMPLEMENTING AGENCY:	SHT NO.:
	R. J. R. SANCHEZ PPU OVPPD	O. B. DELOS REYES DIRECTOR PLANNING OFFICE	O. B. DELOS REYES PPU OVPPD	O. B. DELOS REYES DIRECTOR PLANNING OFFICE	M. J. D. TEOPORA VPPD CVSU	C. A. POLINGA VPASS CVSU	H. D. ROBLES PRES CVSU	REPAIR AND IMPROVEMENT OF PLANNING AND INSTITUTIONAL DEVELOPMENT OFFICE CAVITE STATE UNIVERSITY MAIN CAMPUS	CAVITE STATE UNIVERSITY



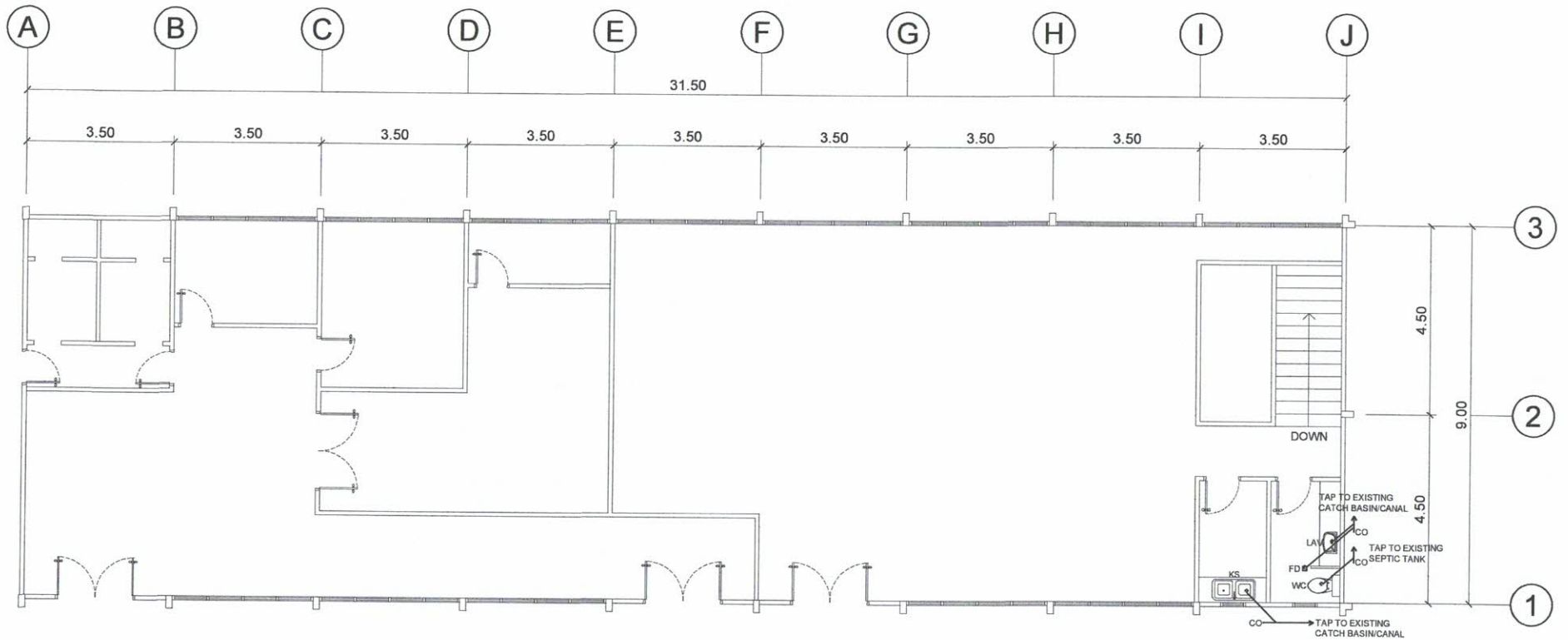
1
E8
 SCALE _____ N.T.S.

	PREPARED BY: R. J. R. SANCHEZ PPU OVP/PPD	END USER: O. B. DELOS REYES DIRECTOR PLANNING OFFICE	REVIEWED BY: B. R. ANA OV/PPD	ENDORSED BY: O. B. DELOS REYES DIRECTOR PLANNING OFFICE	ENDORSED BY: M. J. D. TEPORA VPPD CVSU	REC. APPROVAL: C. A. POUINGA VPASS CVSU	APPROVED BY: H. D. ROBLES PRES CVSU	PROJECT TITLE/LOCATION: REPAIR AND IMPROVEMENT OF PLANNING AND INSTITUTIONAL DEVELOPMENT OFFICE CAVITE STATE UNIVERSITY MAIN CAMPUS	IMPLEMENTING AGENCY: CAVITE STATE UNIVERSITY	SHT NO.: E - 8
--	---	--	-------------------------------------	---	--	---	---	---	---	-------------------



1
ROOF DOWN SPOUT LAYOUT
P1
SCALE
1 : 150 MTS.

	PREPARED BY: J. D. ESCANO PPU OVPPO	END USER: O. B. DELOS REYES DIRECTOR PLANNING OFFICE	REVIEWED BY: S. B. BAY JR. PPU OVPPO	ENDORSED BY: O. B. DELOS REYES DIRECTOR PLANNING OFFICE	REC. APPROVAL: M. J. D. TEPORA VPPD CVSU	APPROVED BY: C. P. POLINGA VPAS CVSU	APPROVED BY: J. D. ROBLES PRES CVSU	PROJECT TITLE/LOCATION: REPAIR AND IMPROVEMENT OF PLANNING AND INSTITUTIONAL DEVELOPMENT OFFICE CAVITE STATE UNIVERSITY MAIN CAMPUS	IMPLEMENTING AGENCY: CAVITE STATE UNIVERSITY	SHT NO: P - 1
--	--	---	---	--	---	---	--	---	---	------------------



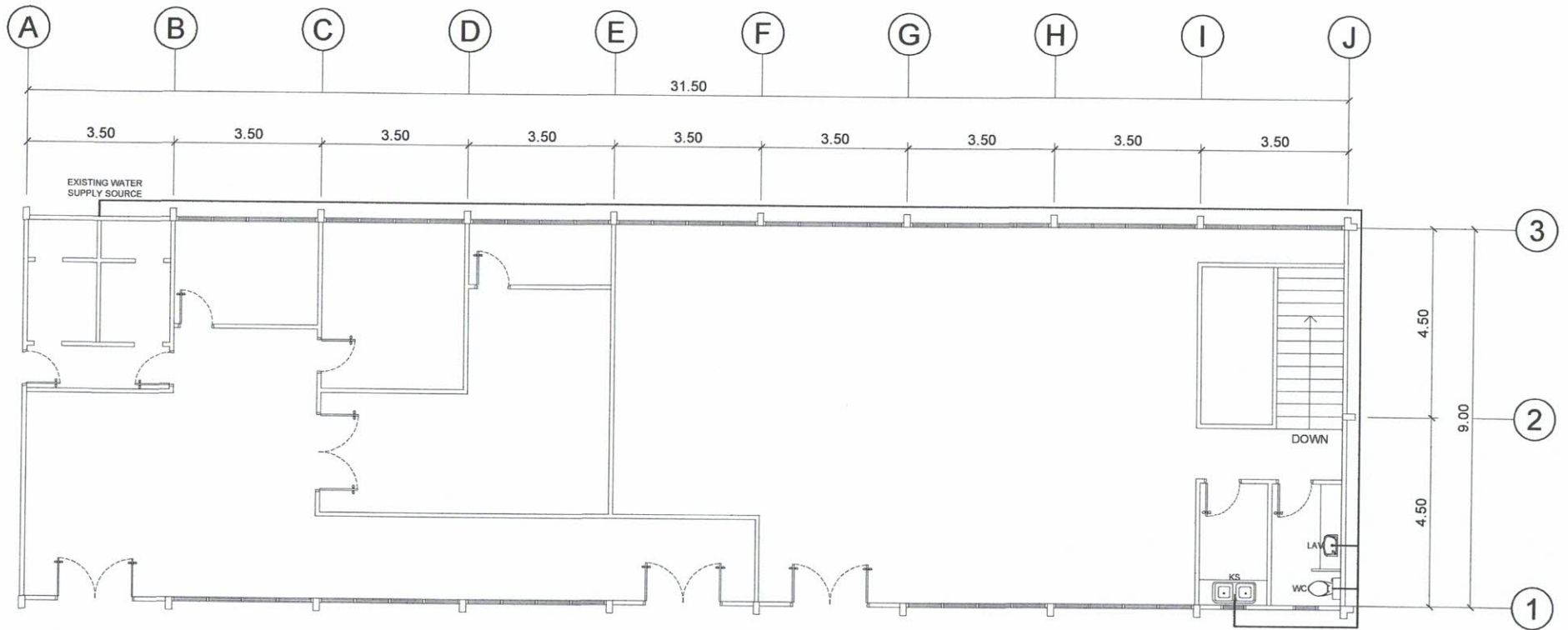
1
P/2

SEWER LINE LAYOUT

SCALE

1 : 150 MTS.

	PREPARED BY:	END USER:	REVIEWED BY:	ENDORSED BY:	REC. APPROVAL:	APPROVED BY:	PROJECT TITLE/ LOCATION:	IMPLEMENTING AGENCY:	SHT NO.:
	J. D. ESCANO PPU OVPD	O. B. DELOS REYES DIRECTOR PLANNING OFFICE	S. B. BAYOT, JR. PPU CVPPD	O. B. DELOS REYES DIRECTOR PLANNING OFFICE	M. J. D. TEPORA VPPD CVSU	C. A. POLINGA VPASS CVSU	W. D. ROBLES PRES CVSU	REPAIR AND IMPROVEMENT OF PLANNING AND INSTITUTIONAL DEVELOPMENT OFFICE CAVITE STATE UNIVERSITY MAIN CAMPUS	CAVITE STATE UNIVERSITY



1
P/3
WATER SUPPLY LINE LAYOUT
 SCALE 1 : 150 MTS.

	PREPARED BY: I. D. ESCANO PPU OVPD	END USER: O. B. DELOS REYES DIRECTOR PLANNING OFFICE	REVIEWED BY: S. B. BAYOT JR. PPU OVPD	ENDORSED BY: O. B. DELOS REYES DIRECTOR PLANNING OFFICE	REC. APPROVAL: M. J. D. TEPORA VPPD CVSU	APPROVED BY: C. A. POLINGA VPASS CVSU	APPROVED BY: H. D. ROBLES PRES CVSU	PROJECT TITLE/ LOCATION: REPAIR AND IMPROVEMENT OF PLANNING AND INSTITUTIONAL DEVELOPMENT OFFICE CAVITE STATE UNIVERSITY MAIN CAMPUS	IMPLEMENTING AGENCY: CAVITE STATE UNIVERSITY	SHT NO.: P - 3
--	---	---	--	--	---	--	--	---	--	-------------------

1. ALL PLUMBING WORKS INCLUDED HEREIN SHALL BE EXECUTED ACCORDING TO THE PROVISIONS OF THE PHIL. PLUMBING CODE. THE NATIONAL PLUMBING CODE & THE RULES & REGULATIONS OF INDANG, CAVITE.
2. COORDINATE THE DRAWING WITH OTHER RELATED DRAWINGS AND SPECIFICATION. THE ENGINEER SHALL BE NOTIFIED IMMEDIATELY OF ANY DICREPANCY FOUND THEREIN.
3. ALL PIPES SHALL BE INSTALLED AS INDICATED ON PLANS. ANY RELOCATIONS REQUIRED FOR PROPER EXECUTION OF OTHER TRADE SHALL BE WITH PRIOR APPROVAL OF THE ARCHITECHT OR ENGINEER.
4. PROPOSED SANITARY UTILITIES SHALL CONFORM TO THE ACTUAL LOCATION, DEPTH AND INVERT ELEVATION OF ALL EXISTING PIPES AND STRUCTURES AS VERIFIED BY THE CONTRACTOR. APPROVED EQUAL.
5. ALL SLOPES FOR HORIZONTAL DRAINAGE SHALL MAINTAIN 1% UNLESS OTHERWISE SPECIFIED.
6. SIZE OF WATER SUPPLY PIPES TO FIXTURES SHALL BE IN ACCORDANCE WITH WITH THE MANUFACTURER'S INSTRUCTIONS.
7. THE CONTRACTOR SHALL VERIFY ALL EXISTING UTILITIES AT SITE, COORDINATE THE WORKS WITH THE SEWER LINE EFFLUENT DISPOSAL POINT AND WATER LINE SERVICE CONNECTING POINT UNLESS OTHERWISE SPECIFIED.
8. ALL PIPE SIZES ARE IN MILLIMETERS AND ALL DIMENSIONS ARE IN MILLIMETERS UNLESS OTHERWISE SPECIFIED.

- 4" Ø PVC PIPE WASTE LINE
- 2" Ø PVC PIPE DRAINAGE LINE
- - - - - 1/2" Ø PVC PIPE COLD WATER LINE
- WC WATER CLOSET
- CO CLEAN OUT
- FD FLOOR DRAIN
- KS KITCHEN SINK
- LAV LAVATORY

1
P4
PLUMBING NOTES AND LEGEND
 SCALE _____ N. T. S.

	PREPARED BY:	END USER:	REVIEWED BY:	ENDORSED BY:	REC. APPROVAL:	APPROVED BY:	PROJECT TITLE/ LOCATION:	IMPLEMENTING AGENCY:	SHT NO.:
	 J. D. ESCANO <small>PPU OVPPO</small>	 O. B. DELOS REYES <small>DIRECTOR PLANNING OFFICE</small>	 S. B. BAYOT JR. <small>PPU OVPPD</small>	 O. B. DELOS REYES <small>DIRECTOR PLANNING OFFICE</small>	 M. J. D. TEPORA <small>VPPD CVSU</small>	 C. A. SOLINGA <small>VPASS CVSU</small>	 H. D. ROBLES <small>PRES CVSU</small>	REPAIR AND IMPROVEMENT OF PLANNING AND INSTITUTIONAL DEVELOPMENT OFFICE <small>CAVITE STATE UNIVERSITY MAIN CAMPUS</small>	CAVITE STATE UNIVERSITY

NOTES:

FIRE ALARM SYSTEM SHALL BE FULLY ADDRESSABLE TYPE WITH CLASS A WIRING FOR RISER.

THE COMPLETE FIRE ALARM SYSTEM SHALL BE FURNISHED/INSTALLED BY FIRE ALARM CONTRACTOR COMPLETE SYSTEM FOR OPERATION INCLUDING EQUIPMENT AND WIRINGS.

THE FIRE ALARM RISER DIAGRAM CAN BE MODIFY BY CONTRACTOR/SUPPLIER TO SUIT WITH THE SUPPLIED EQUIPMENT.

ADDITIONAL SMOKE DETECTOR SHALL BE PROVIDED BY TENANT WHICH WILL INCLUDE WIRING AND CONDUIT FOR ADDITIONAL ADDRESSABLE CONTROL DEVICES IN THE FDAS CONTROL PANEL.

FDAS SUPPLIER/CONTRACTOR SHALL BE PROPERLY COORDINATED IN ANY CHANGES IN THE SMOKE DETECTOR LAYOUT AS WELL AS WIRING CONNECTIONS.

WIRING SHALL BE UNSHIELDED 2.0mm² THHN FDAS CABLE IN 20mm ϕ PVC PIPE.



SMOKE DETECTOR

SCALE

NTS.

LEGEND AND SYMBOLS :

SYMBOL	DESCRIPTIONS
	SMOKE DETECTOR
	FIRE ALARM MANUAL STATION
	FIRE ALARM BELL OUTLET
	HOMERUN TO FACE
	END OF LINE RESISTOR - ELR
	FIRE ALARM CONTROL PANEL
	2.0mm ² , THHN IN 15mm ϕ C



FIRE ALARM BELL

SCALE

NTS.

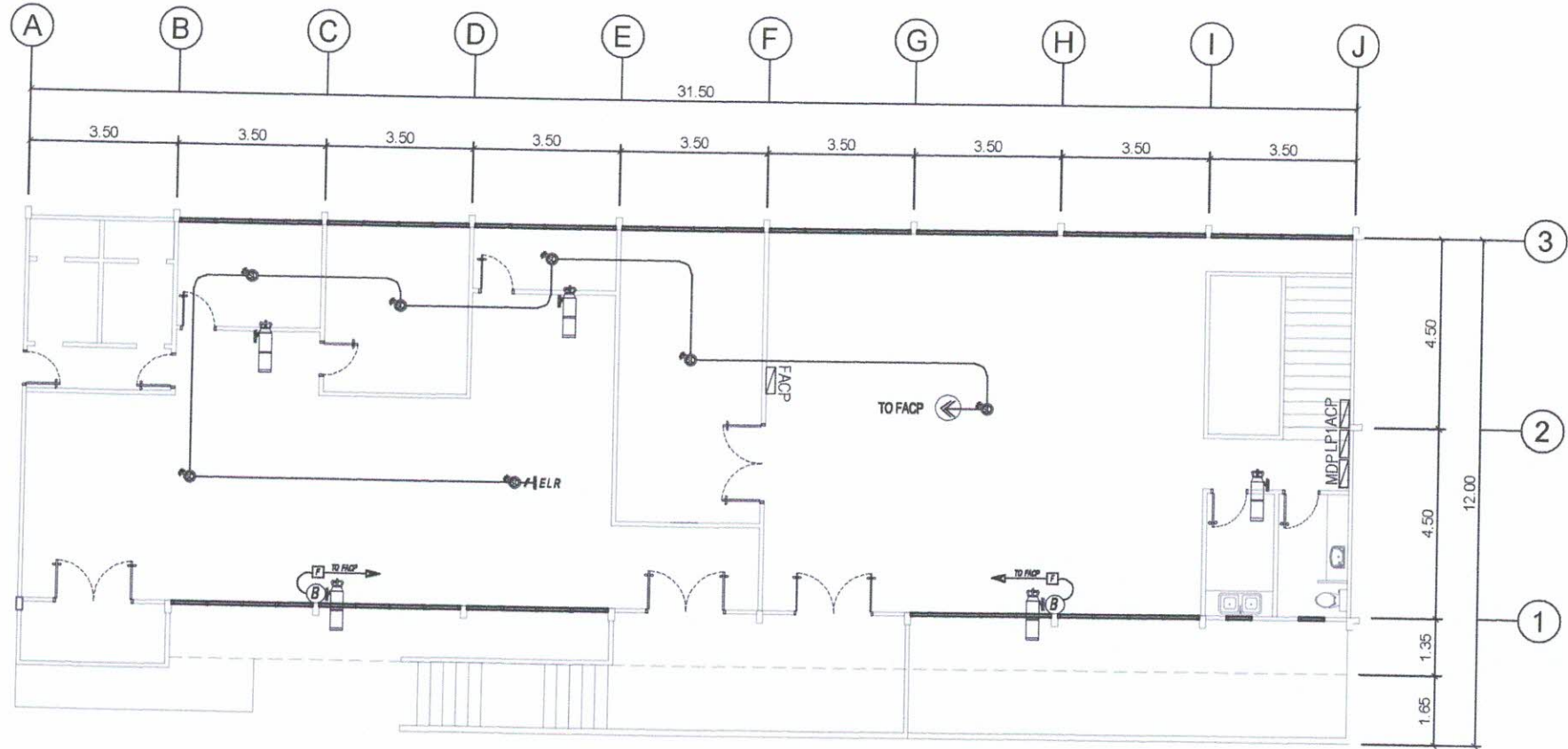


FIRE ALARM MANUAL STATION (FS)

SCALE

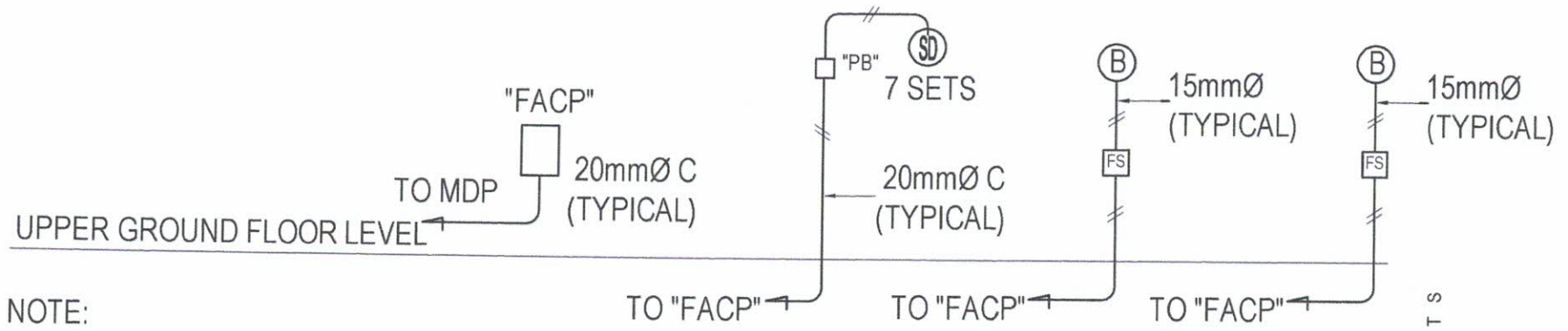
NTS.

	PREPARED BY:	END USER:	REVIEWED BY:	ENDORSED BY:	REC. APPROVAL:	APP.	PROJECT TITLE/ LOCATION:	IMPLEMENTING AGENCY:	SHT NO.:
	R. J. R. SANCHEZ RPU OVPPD	O. B. DELOS REYES DIRECTOR PLANNING OFFICE	R. J. R. SANCHEZ RPU OVPPD	O. B. DELOS REYES DIRECTOR PLANNING OFFICE	M. J. D. TEPORA VPPD CVSU	C. A. POLINGA VPASS OVSU	H. D. ROBLES President CVSU	REPAIR AND IMPROVEMENT OF PLANNING AND INSTITUTIONAL DEVELOPMENT OFFICE CAVITE STATE UNIVERSITY MAIN CAMPUS	CAVITE STATE UNIVERSITY



1 UPPER GROUND FLOOR FDAS PLAN
 EC 2 SCALE 1 : 150 MTS.

	PREPARED BY:	END USER:	REVIEWED BY:	ENDORSED BY:	REC. APPROVAL:	APPROVED BY:	PROJECT TITLE/ LOCATION:	IMPLEMENTING AGENCY:	SHT NO.:
	R. J. R. SANCHEZ PPU	O. B. DELOS REYES DIRECTOR PLANNING OFFICE	R. P. ANA PPU OVPPD	O. B. DELOS REYES DIRECTOR PLANNING OFFICE	M. I. D. TEPORA VPPD CVSU	C. APPOINTINGA VPASS CVSU	H. D. ROBLES PRES CVSU	REPAIR AND IMPROVEMENT OF PLANNING AND INSTITUTIONAL DEVELOPMENT OFFICE CAVITE STATE UNIVERSITY MAIN CAMPUS	CAVITE STATE UNIVERSITY



NOTE:

HASHMARKS DENOTE
NUMBER OF 2.0mm² THHN

GROUND FLOOR LEVEL
FINISHED GRADE LINE

VERIFY HEIGHTS



FIRE ALARM SYSTEM RISER DIAGRAM (FDAS)
(SHOWING MANUAL STATIONS, BELLS AND SMOKE DETECTORS)

SCALE

NTS

	PREPARED BY:	END USER:	REVIEWED BY:	ENDORSED BY:	REC. APPROVAL:	APPROVED BY:	PROJECT TITLE/ LOCATION:	IMPLEMENTING AGENCY:	SHT NO.:
	R. J. R. SANCHEZ PPU	O. B. DELOS REYES DIRECTOR PLANNING OFFICE	R. P. PARRA PPU OVPPD	O. B. DELOS REYES DIRECTOR PLANNING OFFICE	M. J. D. TERORA VPPD CVSU	C. A. POUNGA VPASS CVSU	M. D. ROBLES PRES CVSU	REPAIR AND IMPROVEMENT OF PLANNING AND INSTITUTIONAL DEVELOPMENT OFFICE CAVITE STATE UNIVERSITY MAIN CAMPUS	CAVITE STATE UNIVERSITY