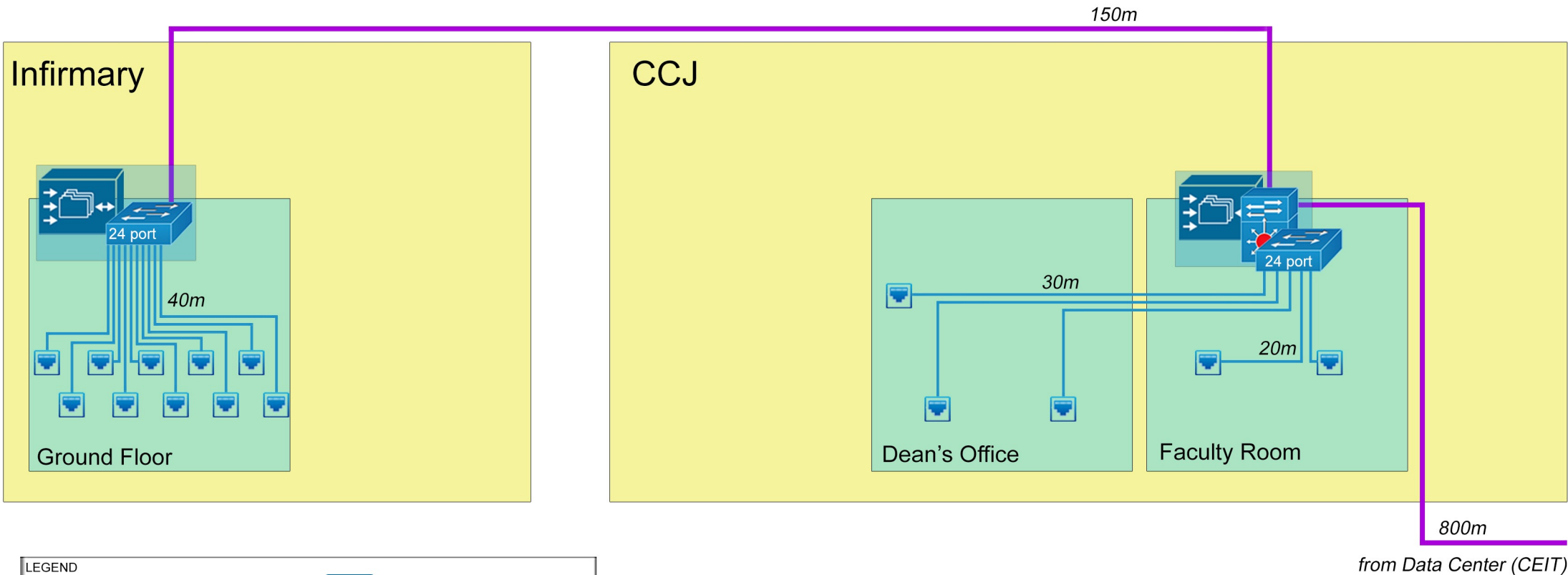










# CCJ and INFIRMARY



**LEGEND**

	- DISTRIBUTION SWITCH		- NETWORK CABINET BOX
	- WORKGROUP SWITCH		- UPS
	- FIBER OPTIC (UPLINK)		- NETWORK I.O. PORT
	- COPPER UTP (UPLINK)		
	- COPPER UTP		