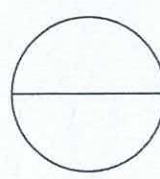


2" X 4" CEE - PURLINS @ 0.60M.O.C.
 W/ 2" X 2" X 1/4" CLEATS
 ALL JOINTS ARE FULLY WELDED

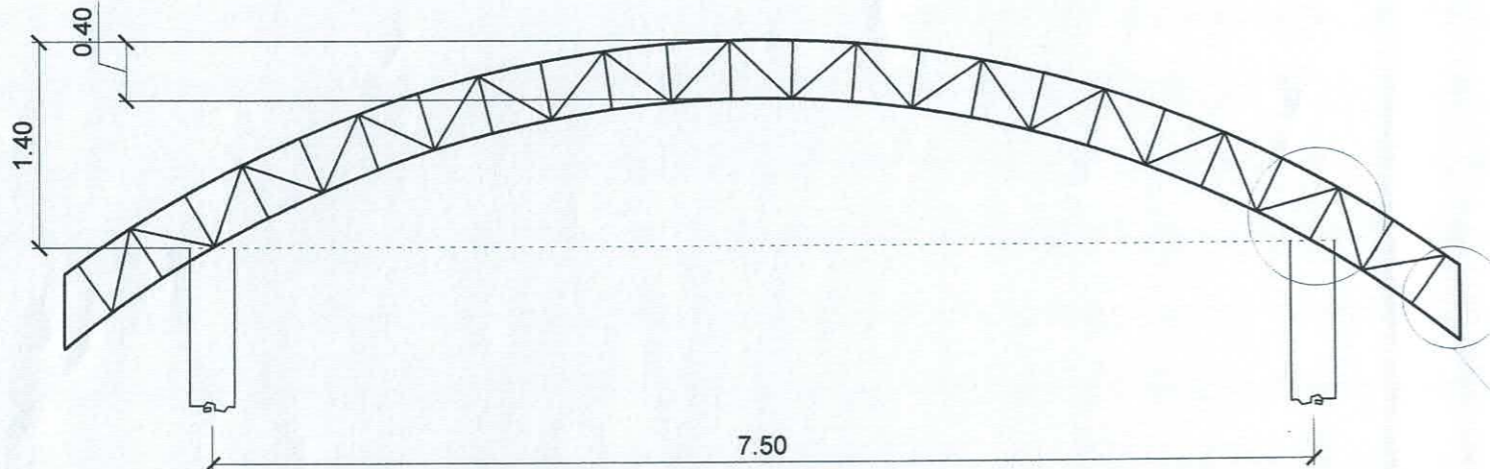
2" X 5" CEE - PURLINS @ 0.60M.O.C.
 W/ 2" X 2" X 1/4" CLEATS
 ALL JOINTS ARE FULLY WELDED



ROOF FRAMING PLAN

SCALE 1 : 100 MTS.

	PREPARED BY:	CIVIL ENGINEER	END USER:	REVIEWED BY:	ENDORSED BY:	REC. APPROVAL:	APPROVED BY:	PROJECT TITLE/ LOCATION:	IMPLEMENTING AGENCY:	SHT NO:
	E.N. RODEROS JR. PPU	L. E. ROCELA OVPPD	J. MAGPANTAY DIRECTOR SPRINT	O. B. DELOS REYES DIRECTOR PLANNING OFFICE	M.J. D. TEPORA VPPD	C. A. POLINGA VPASS	H. D. ROBLES PPRS	PROPOSED SPRINT TRAINING AND EXHIBIT HALL CAVITE STATE UNIVERSITY MAIN CAMPUS	CAVITE STATE UNIVERSITY	S - 4

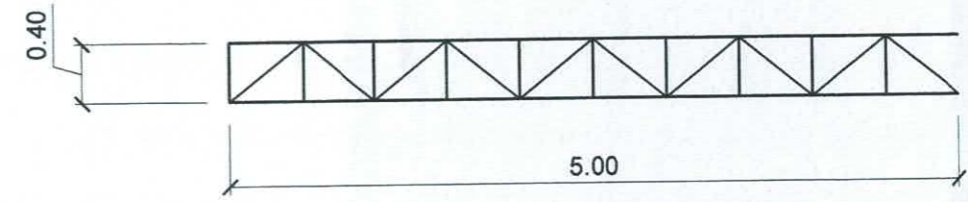


TRUSS DIAGRAM (TRUSS 1)
SCALE 1 : 50 MTS.

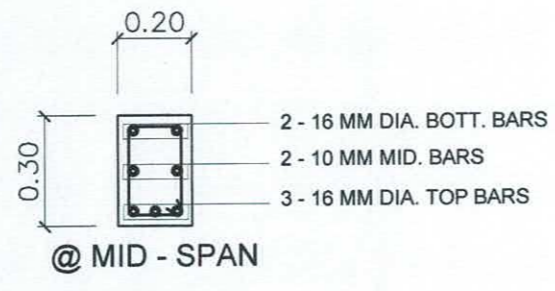
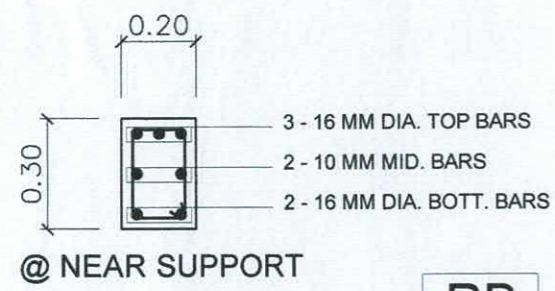
NOTES:
 USE THE FOLLOWING FOR TRUSS 1
 TOP CHORDS - 2" Ø G. I. PIPE SCH. 40
 BOTTOM CHORDS - 2" Ø G. I. PIPE SCH. 40
 WEB MEMBERS - 1½" Ø G. I. PIPE SCH. 40
 2" X 5" CEE - PURLINS W/ 2" X 2" X ¼" CLEATS
 ALL JOINTS ARE FULLY WELDED

FOR LATERAL FRAME 1 (LF-1)
 USE 1½" Ø G.I. PIPE SCH. 40 FOR TOP CHORD
 & BOTT. CHORD, 1" Ø G.I. PIPE SCH. 40 FOR
 WEB MEMBERS

SEE DETAIL - "B"



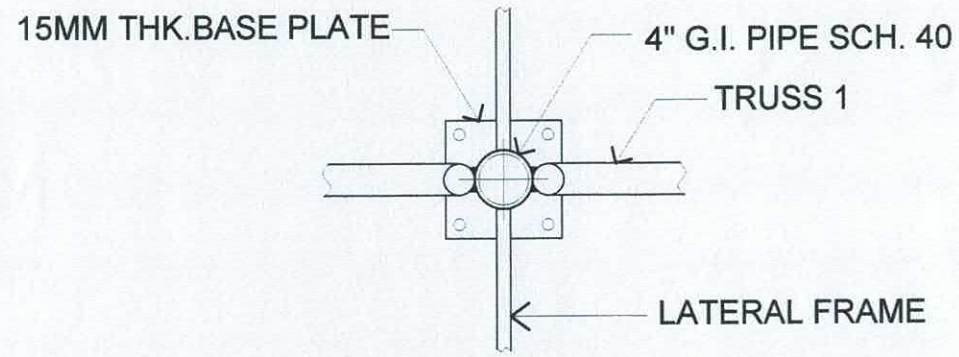
LATERAL FRAME 1 (LF-1)
SCALE 1 : 50 MTS.



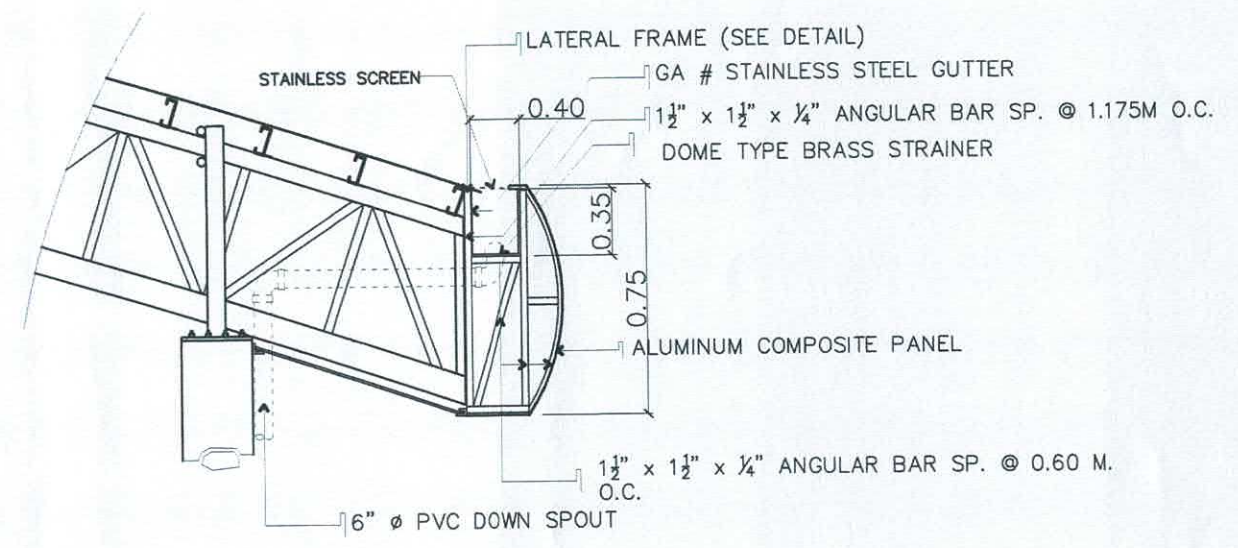
RB

DETAIL OF ROOF BEAM
SCALE 1 : 20 MTS.

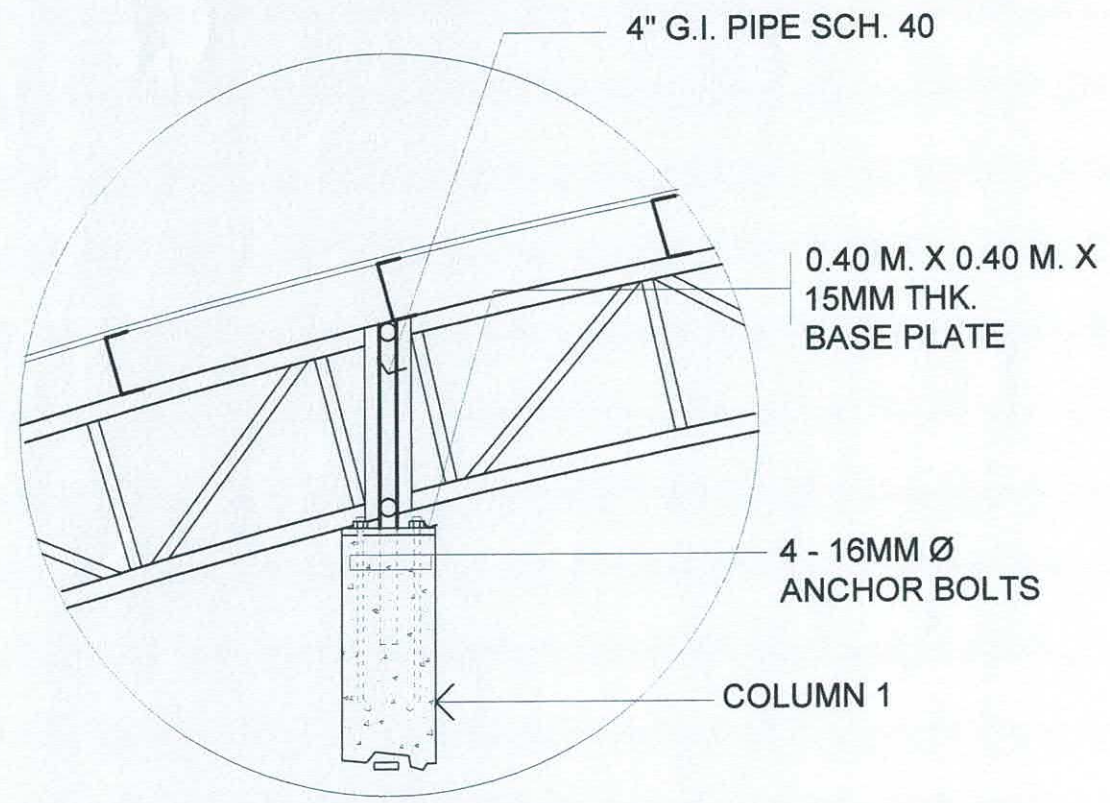
	PREPARED BY:	CIVIL ENGINEER	END USER:	REVIEWED BY:	ENDORSED BY:	REC. APPROVAL:	APPROVED BY:	PROJECT TITLE/ LOCATION:	IMPLEMENTING AGENCY:	SHT NO:
	 E.N. RODEROS JR. PPU OVPPD	 L. E. ROCELA PPU OVPPD	 J. MAGRANTAY DIRECTOR SPRINT	 O. B. DELOS REYES DIRECTOR PLANNING OFFICE	 M.J. D. TEPORA VPPD CVSU	 C. A. POLINGA VPASS CVSU	 H. D. ROBLES PRES CVSU	PROPOSED SPRINT TRAINING AND EXHIBIT HALL CAVITE STATE UNIVERSITY MAIN CAMPUS	CAVITE STATE UNIVERSITY	S - 5



TOP VIEW









SPOT DETAIL " B "

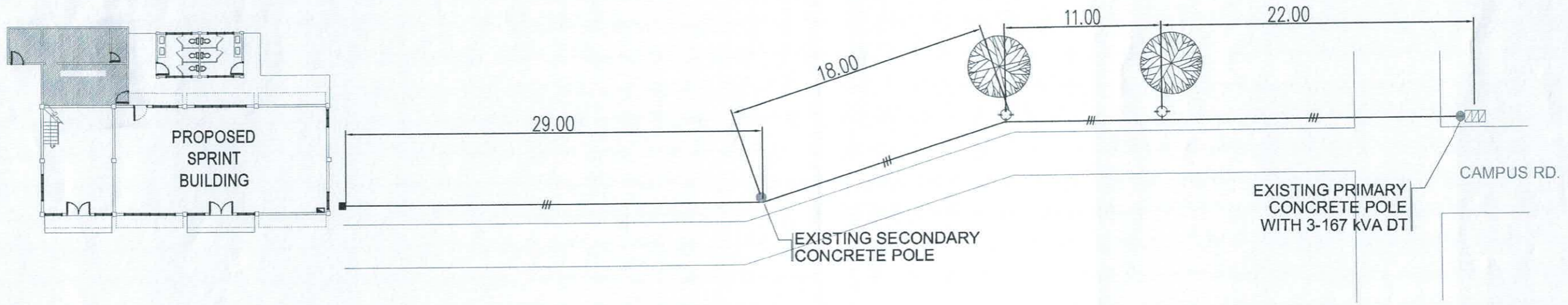


DETAIL "A"

	PREPARED BY:	CIVIL ENGINEER	END USER:	REVIEWED BY:	ENDORSED BY:	REC. APPROVAL:	APPROVED BY:	PROJECT TITLE/ LOCATION:	IMPLEMENTING AGENCY:	SHT NO:
	 E.N. RODEROS JR. PPU CVPPD	 L. E. ROCELA PPU OVPPD	 J. MAGPANTAY DIRECTOR SPRINT	 O. B. DELOS REYES DIRECTOR PLANNING OFFICE	 M.J. D. TEPORA VPPD CVSU	 C. A. POLINGA VPASS CVSU	 H. D. ROBLES PRES CVSU	PROPOSED SPRINT TRAINING AND EXHIBIT HALL CAVITE STATE UNIVERSITY MAIN CAMPUS	CAVITE STATE UNIVERSITY	S - 6


LEGEND AND SYMBOLS :	
	CONCRETE POLE
	STEEL POLE
	SECONDARY WIRE 3 LINE WIRE + GROUND WIRE
	PANEL BOARD
	DISTRIBUTION TRANSFORMER
	CONCRETE PEDESTAL

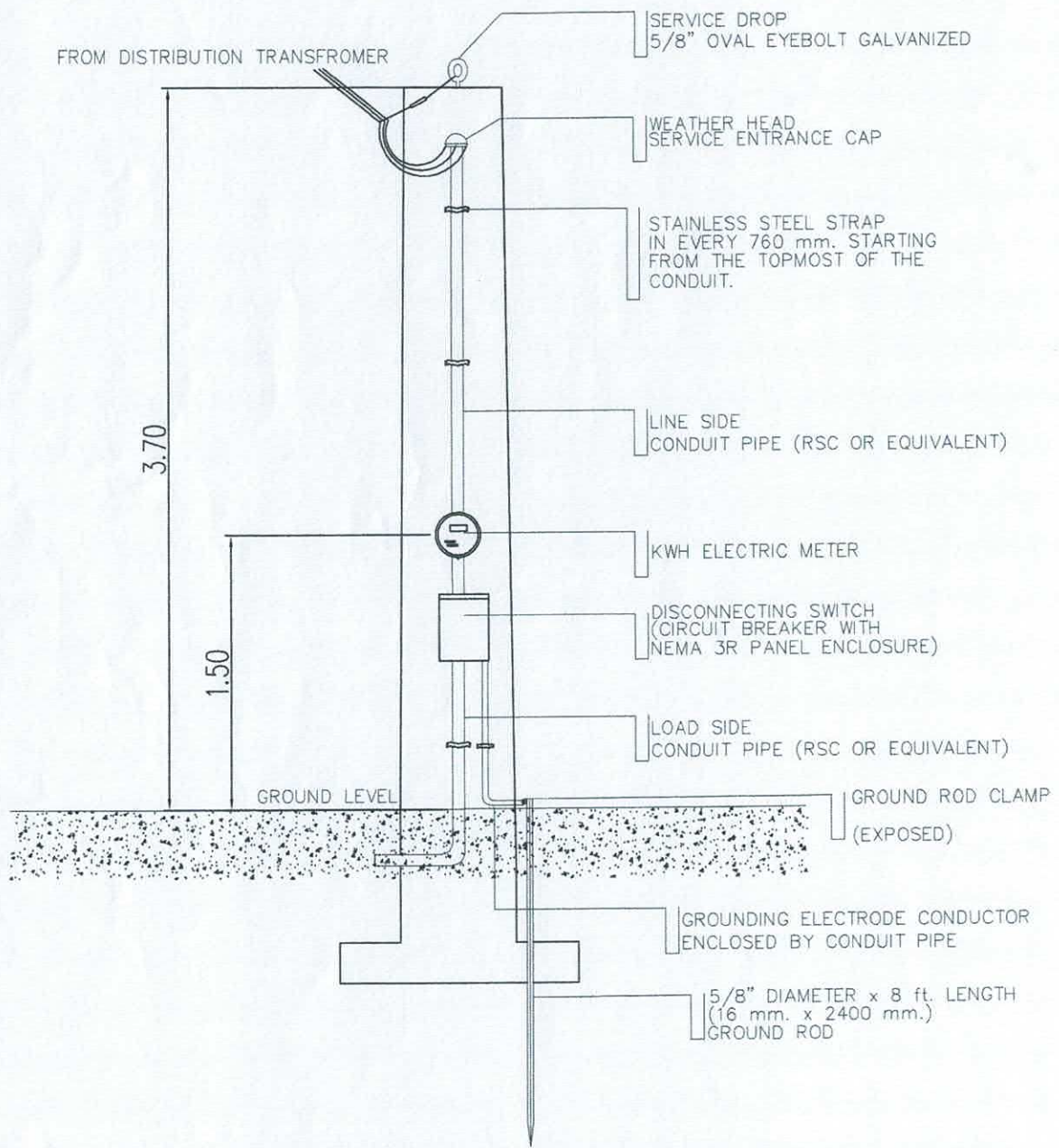
GRADUATE SCHOOL
& OPEN LEARNING COLLEGE BLDG.



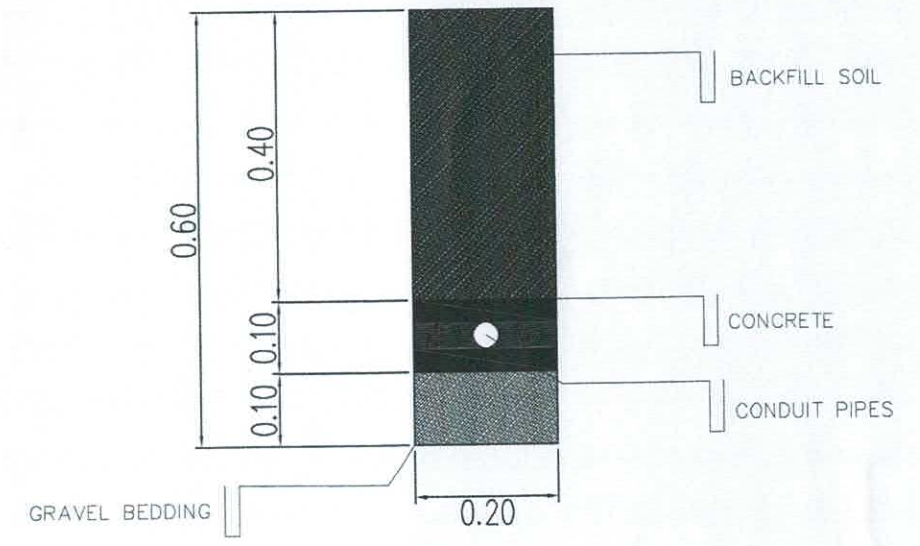
ELECTRICAL SERVICE LINE LAYOUT

SCALE 1 : 300 MTS.

	PREPARED BY:	PROF. ELECTRICAL ENGR. :	END USER:	REVIEWED BY:	ENDORSED BY:	REC. / APPROVAL:	APPROVED BY:	PROJECT TITLE/ LOCATION:	IMPLEMENTING AGENCY:	SHT NO:
	R.J. R. SANCHEZ PPU	R. P. PENNA PPU	J. MAGPANTAY DIRECTOR SPRINT	E. N. RODEROS PPU	O. B. DELOS REYES DIRECTOR PLANNING OFFICE	M.J. D. TEPORA VPPD	C. A. POLINGA VPASS	H. D. ROBLES PRES	PROPOSED SPRINT TRAINING AND EXHIBIT HALL CAVITE STATE UNIVERSITY MAIN CAMPUS	CAVITE STATE UNIVERSITY



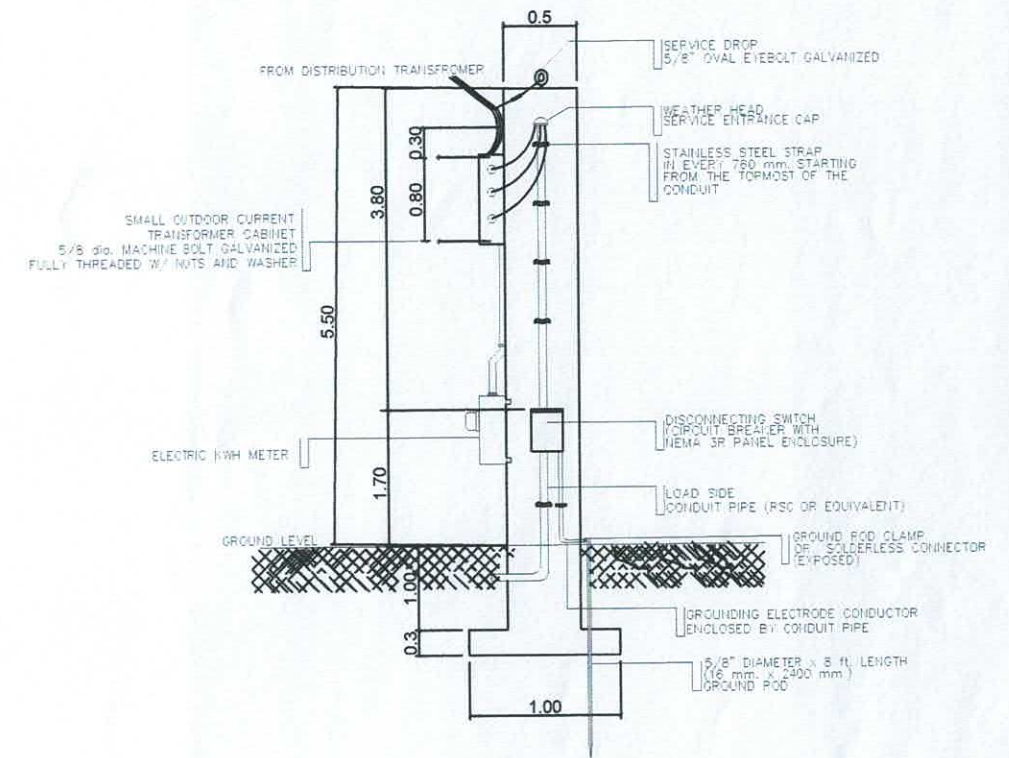
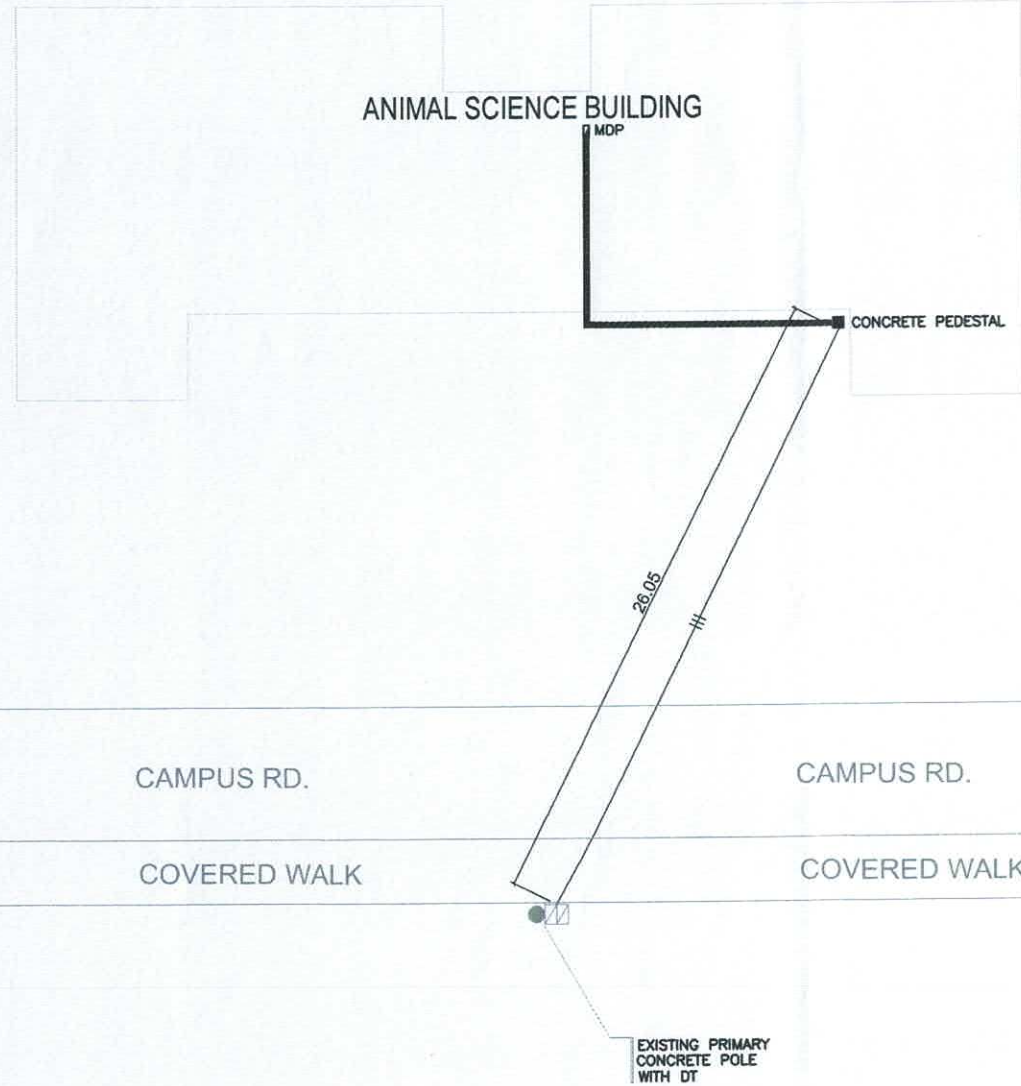
CONCRETE PEDESTAL DETAILS
SCALE NTS



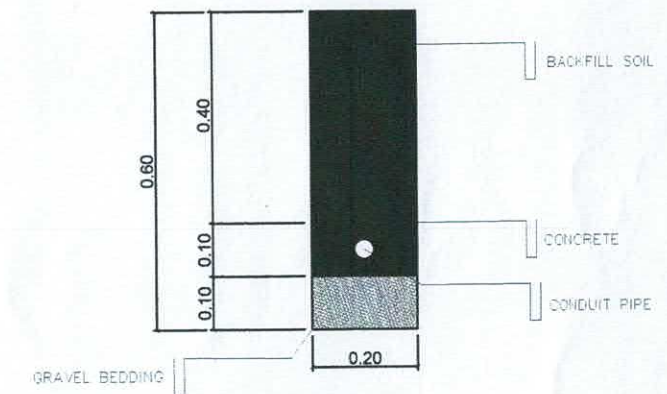
CONCRETE ENCASEMENT RACEWAY
SCALE NTS

PREPARED BY:	PROF. ELECTRICAL ENGR.	END USER:	REVIEWED BY:	ENDORSED BY:	REC. APPROVAL:	APPROVED BY:	PROJECT TITLE/ LOCATION:	IMPLEMENTING AGENCY:	SHT NO:
R.J. R. SANCHEZ PPU	R. P. PENAS OVPPD	J. MAGPANTAY DIRECTOR SPRINT	E. N. RODEROS PPU	O. B. DELOS REYES DIRECTOR PLANNING OFFICE	M.J. D. TEPORA VPPD	C. A. POLINGA VPASS	H. D. ROBLES PRES CAVITE STATE UNIVERSITY MAIN CAMPUS	CAVITE STATE UNIVERSITY	E - 6

LEGEND AND SYMBOLS :	
	CONCRETE POLE
	STEEL POLE
	SECONDARY WIRE 3 LINE WIRE + GROUND WIRE
	PANEL BOARD
	DISTRIBUTION TRANSFORMER
	CONCRETE PEDESTAL
	CONCRETE ENCASEMENT RACEWAY



CONCRETE PEDESTAL DETAILS
SCALE NTS



CONCRETE ENCASEMENT RACEWAY
SCALE NTS

ELECTRICAL SERVICE LINE LAYOUT

SCALE

1 : 300 MTS.

PREPARED BY:	PROF. ELECTRICAL ENGR.	END USER:	REVIEWED BY:	ENDORSED BY:	REC. APPROVAL:	APPROVED BY:	PROJECT TITLE/ LOCATION:	IMPLEMENTING AGENCY:	SHT NO:
R.J. R. SANCHEZ PPU	R. P. PENA OVPPD	A. A. MANUEL DEAN CAFENR	E. N. RODEROS PPU	O. B. DELOS REYES DIRECTOR PLANNING OFFICE	M.J. D. TEPORA VPPD	C. A. POLINGA VPAS	H. D. ROBLES PRES CVSU PROPOSED SPRINT TRAINING AND EXHIBIT HALL CAVITE STATE UNIVERSITY MAIN CAMPUS	CAVITE STATE UNIVERSITY	E - 11