

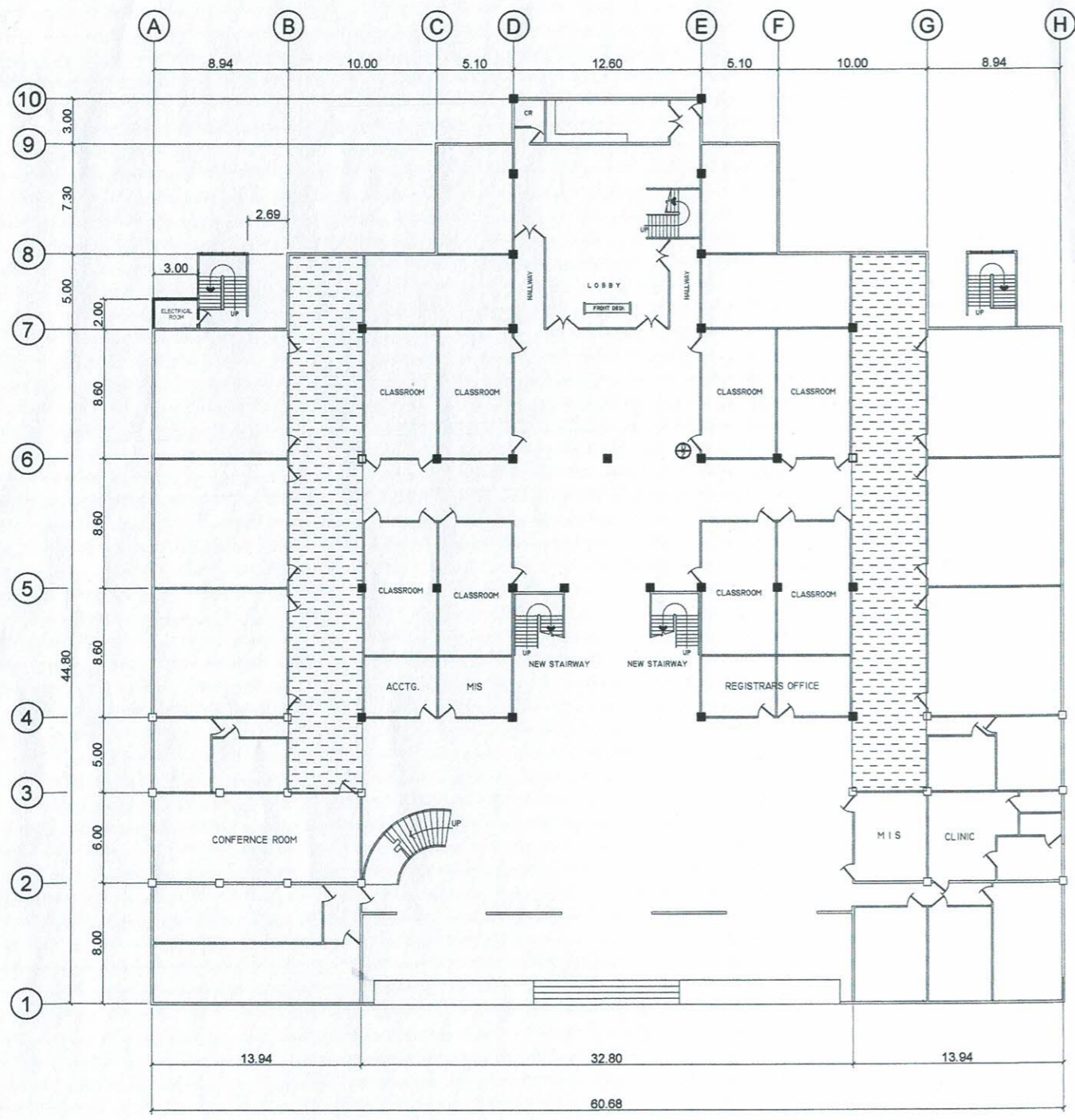
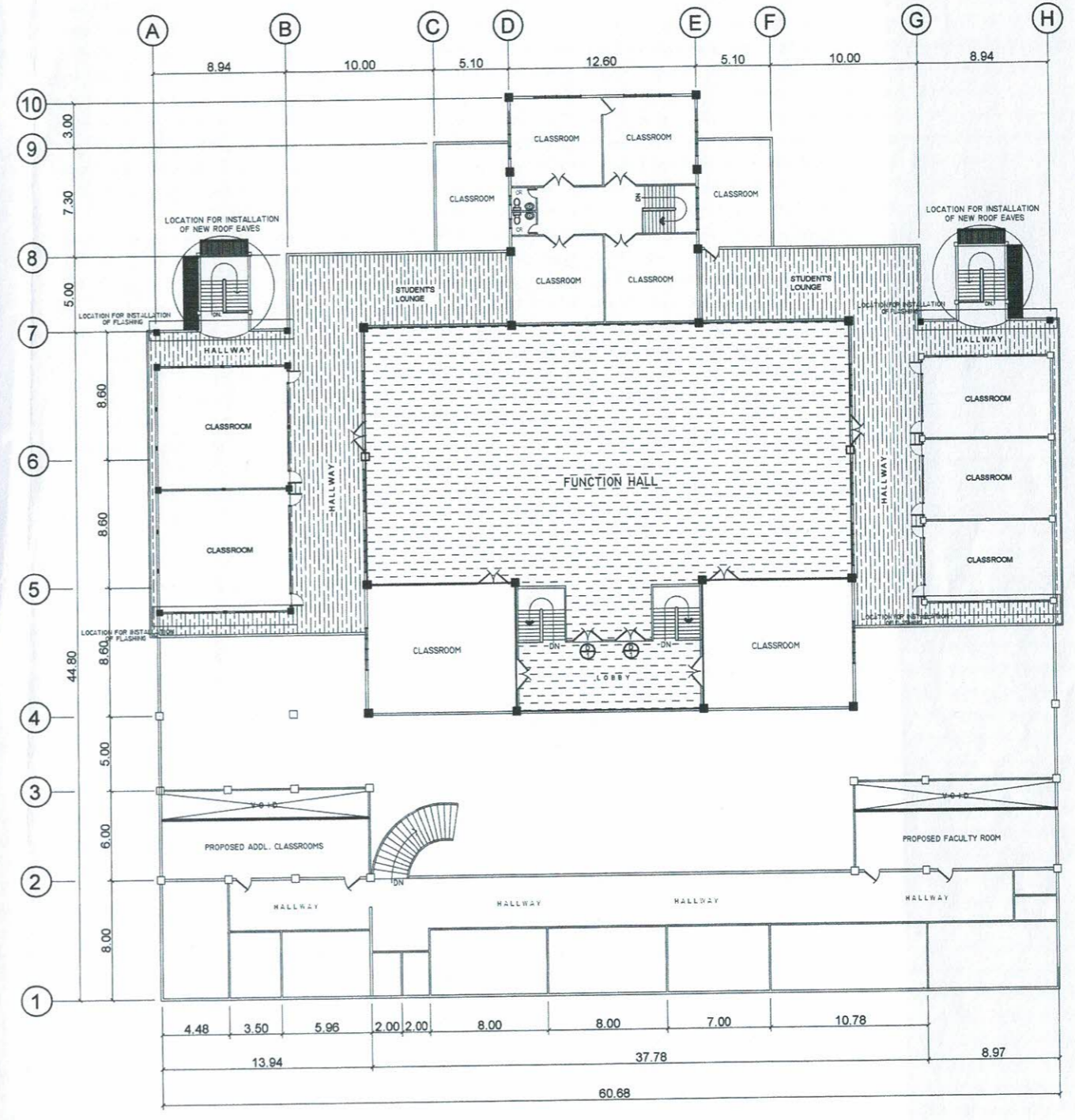



LEGEND:
 INSTALLATION OF NEW CEILING
 APPLICATION OF WATERPROOFING

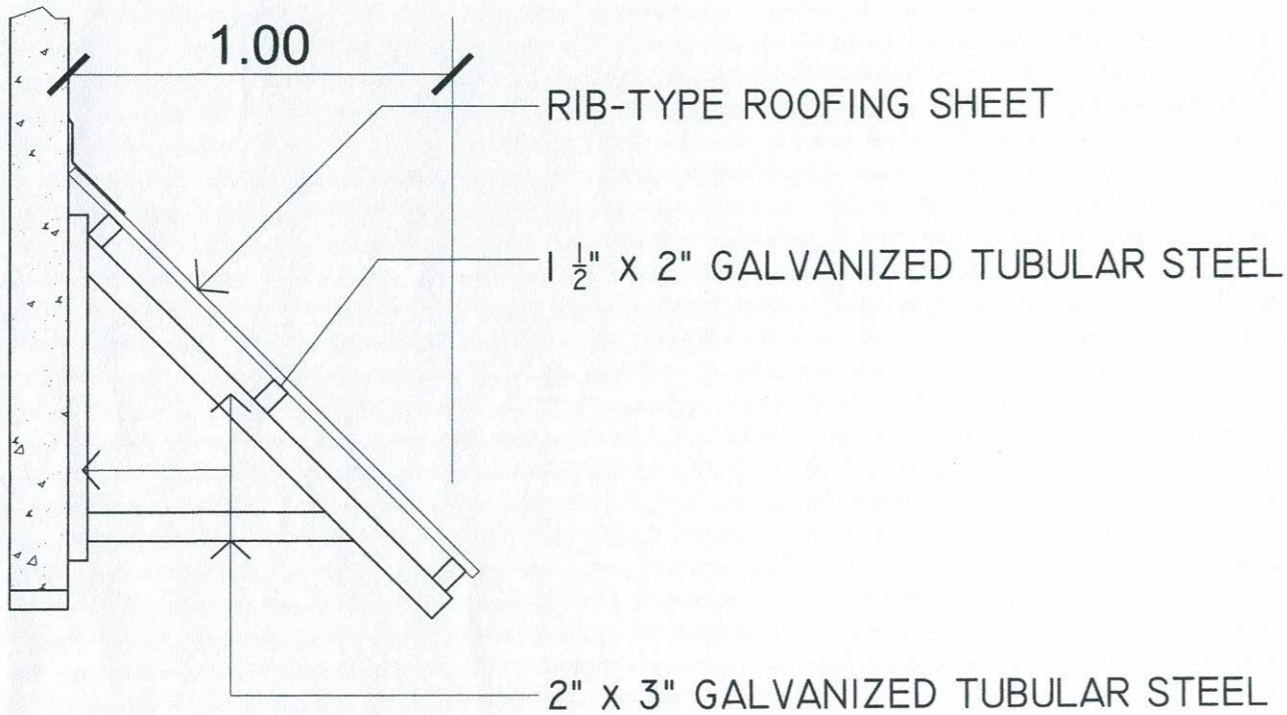


1
A1 SCALE 1 : 400 MTS.
GROUND FLOOR PLAN



2
A1 SCALE 1 : 400 MTS.
SECOND FLOOR PLAN

	PREPARED BY:	END USER:	REVIEWED BY:	ENDORSED BY:	REC. APPROVAL:	APPROVED BY:	PROJECT TITLE/ LOCATION:	IMPLEMENTING AGENCY:	SHT NO.:
	J. D. ESCANO PPU OVPPD	J. B. E. ESPINELI DEAN IMUS CAMPUS	E. N. RODEROS PPU OVPPD	O. B. DELOS REYES DIRECTOR PLANNING OFFICE	M. J. D. TEPORA VPPD CVSU	C. APOLINGA VPASS CVSU	H. D. ROBLES PRES CVSU	REPAIR AND IMPROVEMENT OF CVSU - IMUS CAMPUS MAIN BUILDING CAVITE STATE UNIVERSITY IMUS CAMPUS	CAVITE STATE UNIVERSITY

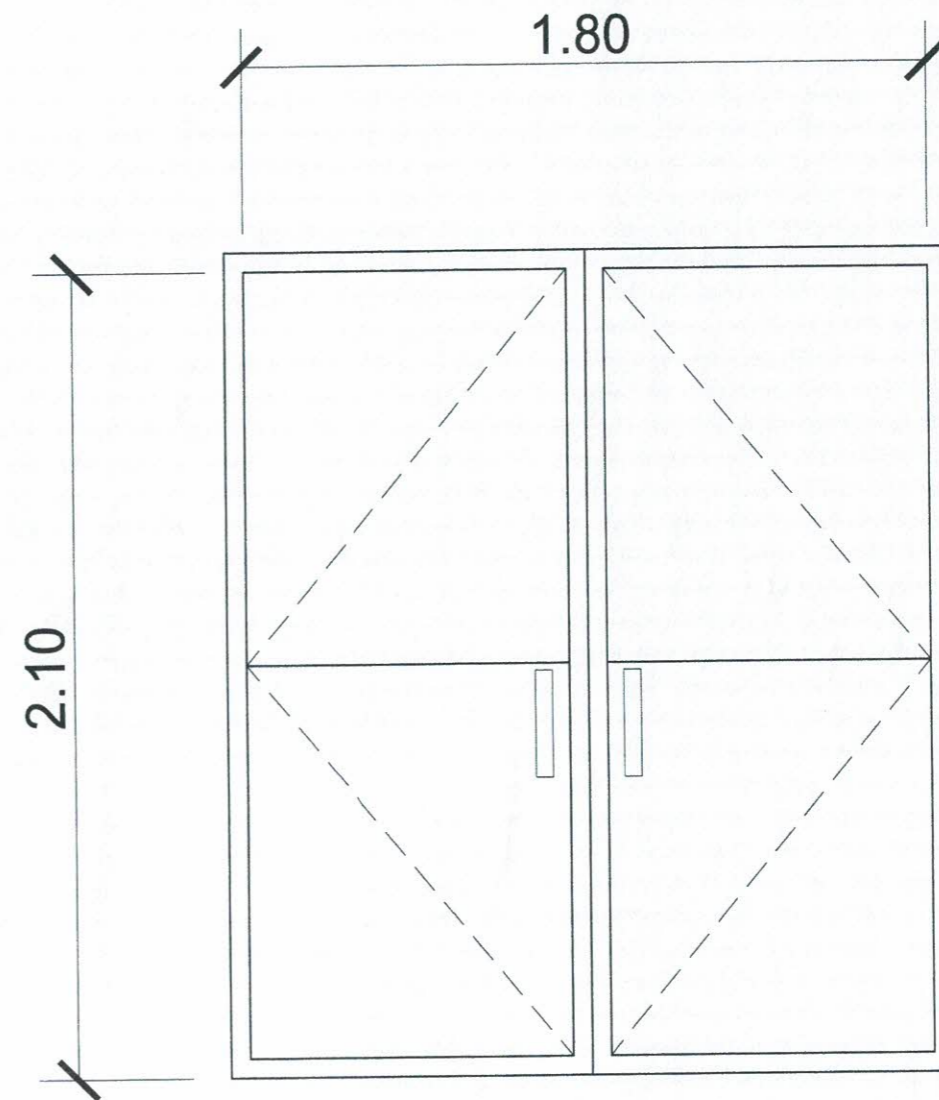


1
A/2

DETAILS OF ROOF EAVES

SCALE

1 : 20 MTS.



D
1


DOUBLE SWING GLASS DOOR COMPLETE W / ALL ACCESSORIES W / 3/8" THK COLORED GLASS ON COLORED POWDER COATED ALUMINUM FRAME FINISH 8 SETS

2
A/2

SCHEDULE OF DOORS

SCALE

1 : 20 MTS.

PREPARED BY:	END USER:	REVIEWED BY:	ENDORSED BY:	REC. APPROVAL:	APPROVED BY:	PROJECT TITLE/ LOCATION:	IMPLEMENTING AGENCY:	SHT NO.:
 J. D. ESCANO PPU OVRPD	J. B. E. ESPINELI DEAN IMUS CAMPUS	E. N. RODEROS PPU OVPPD	O. B. DELOS REYES DIRECTOR PLANNING OFFICE	M. J. D. TEPORA VPPD CVSU	G. A. POLINGA VPASS CVSU	H. D. ROBLES PRES CVSU	REPAIR AND IMPROVEMENT OF CVSU - IMUS CAMPUS MAIN BUILDING CAVITE STATE UNIVERSITY IMUS CAMPUS	CAVITE STATE UNIVERSITY A-2