

**MAIN FLOOR PLAN
OF OLD CEMDS BUILDING**
SCALE 1:300 M.

CADD BY:
E. N. Roderos
E. N. RODEROS

EMP. USER:
T. C. Lopez
T. C. LOPEZ
DEAN CEMDS

ENDORSED BY:
C. B. Los Reyes
C. B. LOS REYES
DIRECTOR PLANNING OFFICE

REC. APPROVAL:
M. L. Lopez
M. L. LOPEZ
VPPD CVSU

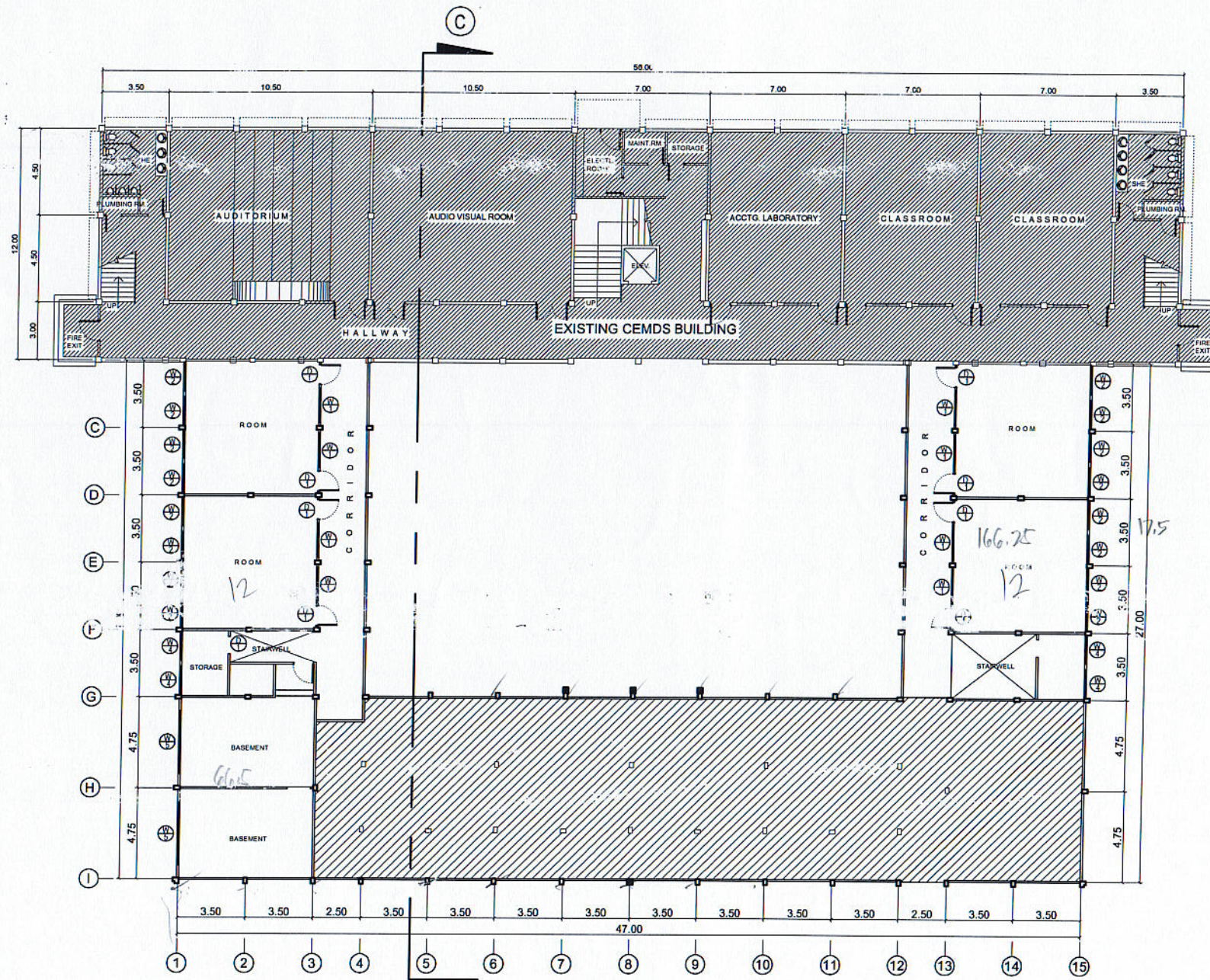
APPROVED BY:
C. A. Polinga
C. A. POLINGA
VPASS CVSU

APPROVED BY:
H. T. Robles
H. T. ROBLES
PRES CVSU

PROJECT TITLE/LOCATION:
IMPROVEMENT OF OLD CEMDS BUILDING
CVSU, MAIN CAMPUS

IMPLEMENTING AGENCY
CAVITE STATE UNIVERSITY

SHT NO:
A - 2



LOWER GROUND FLOOR PLAN
OF OLD CEMDS BUILDING
SCALE 1:300 M.

CADD BY:
[Signature]
E. N. RODRIGUEZ JR.

END USER:
[Signature]
C. JOPEZ
DEAN
CEMDS

ENDORSED BY:
[Signature]
O. B. DELOS REYES
DIRECTOR
PLANNING OFFICE

REC. APPROVAL:
[Signature]
M. TEPORA
VPPD
CVSU

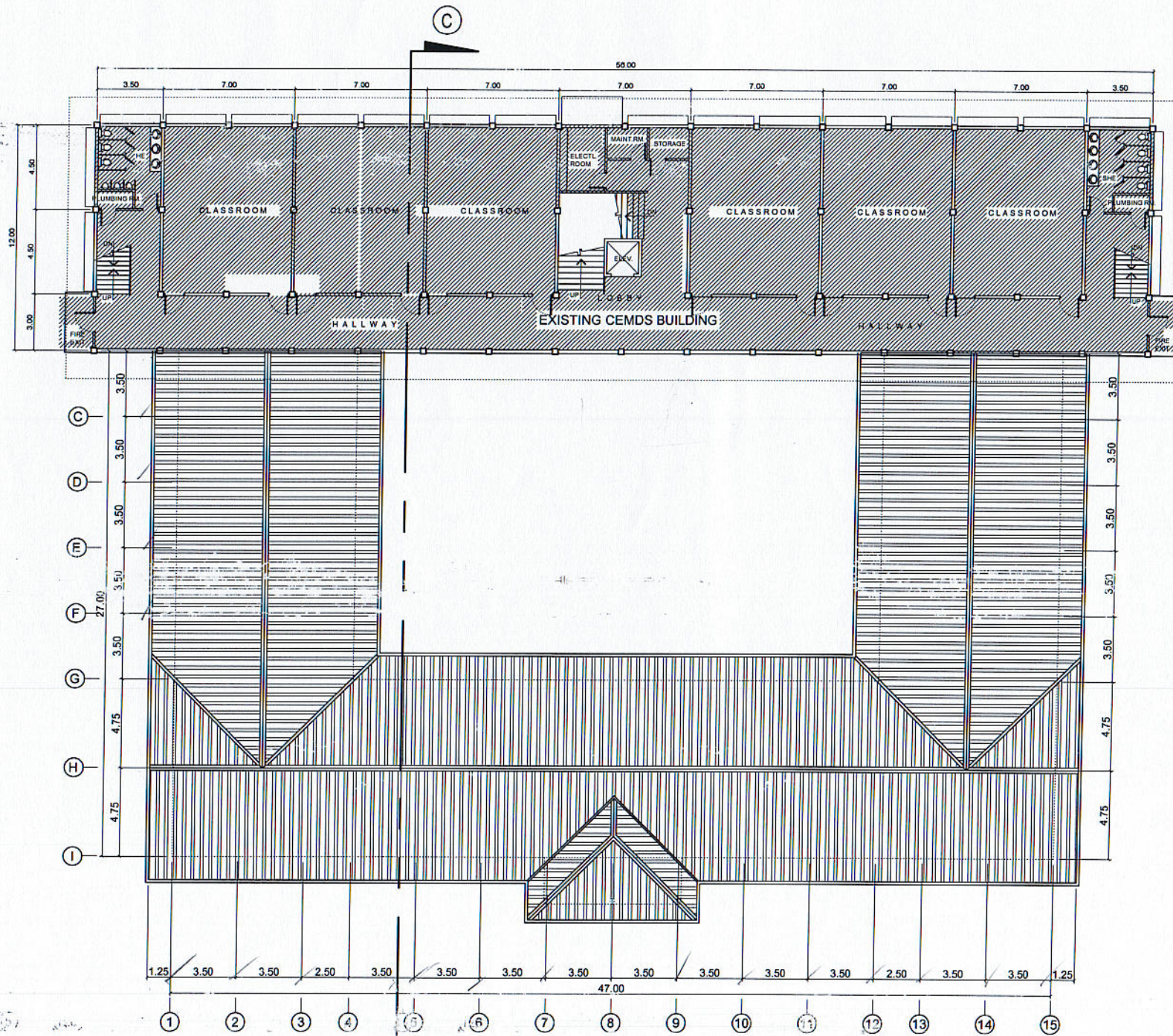
APPROVED BY:
[Signature]
C. FUJINGA
VPASS
CVSU

APPROVED BY:
[Signature]
H. D. ROBLES
PRES
CVSU

PROJECT TITLE/LOCATION:
IMPROVEMENT OF OLD CEMDS BUILDING
CVSU, MAIN CAMPUS

IMPLEMENTING AGENCY
CAVITE STATE UNIVERSITY

SHT NO:
A-1



ROOF PLAN

SCALE 1:300 M.

CADD BY:

 E. N. RODEROS JR.

END USER:

 I. LOPEZ
 DEAN CEMDS

ENDORSED BY:

 C. B. DELOS REYES
 DIRECTOR PLANNING OFFICE

REC. APPROVAL:

 M. J. D. TEJERA
 VPPD CVSU

APPROVED BY:

 E. A. POLINGA
 VPASS CVSU

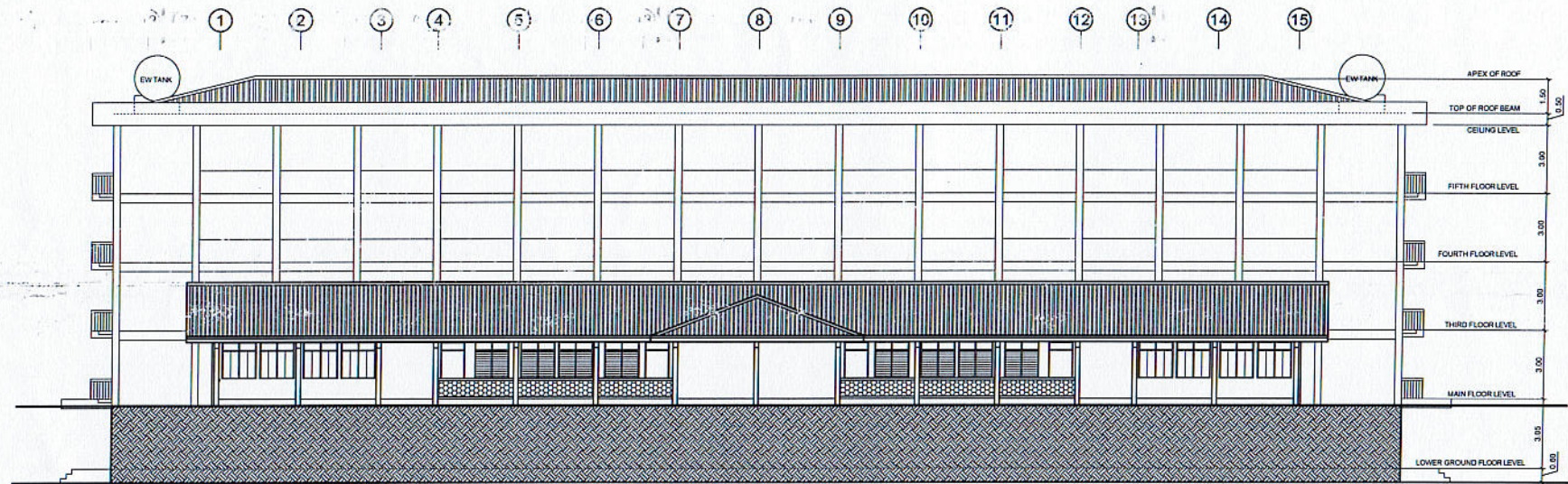
APPROVED BY:

 M. A. ROBLES
 PRES CVSU

PROJECT TITLE/LOCATION:
 IMPROVEMENT OF OLD CEMDS BUILDING
 CVSU, MAIN CAMPUS

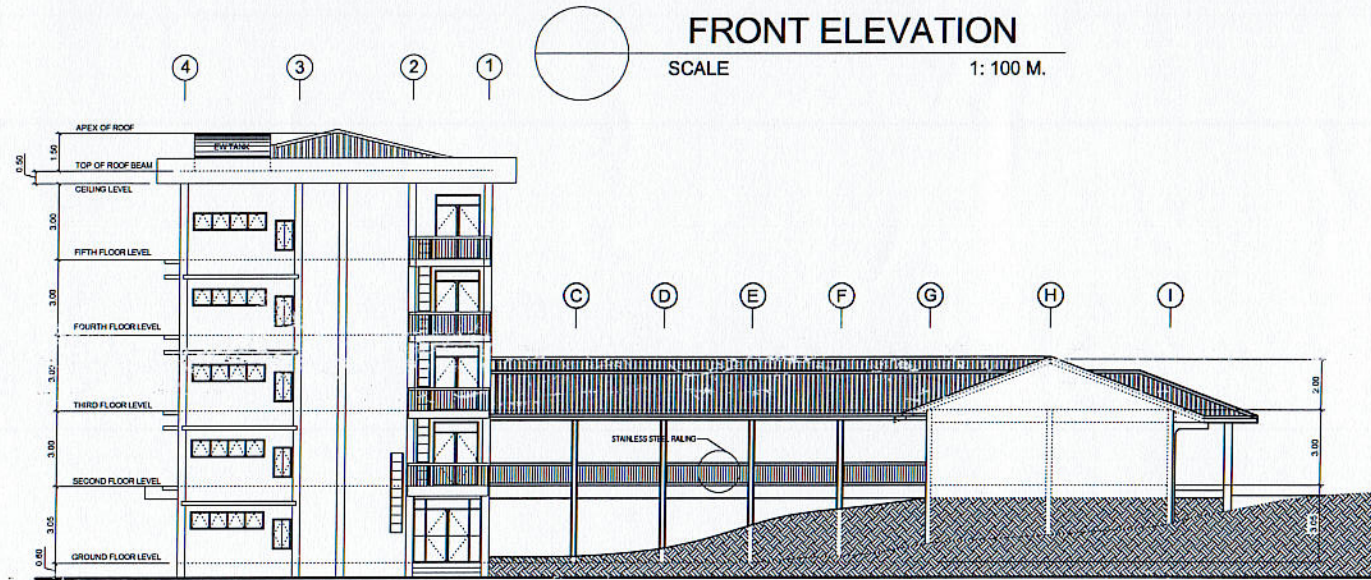
IMPLEMENTING AGENCY
 CAVITE STATE UNIVERSITY

SHT NO:
 A - 3



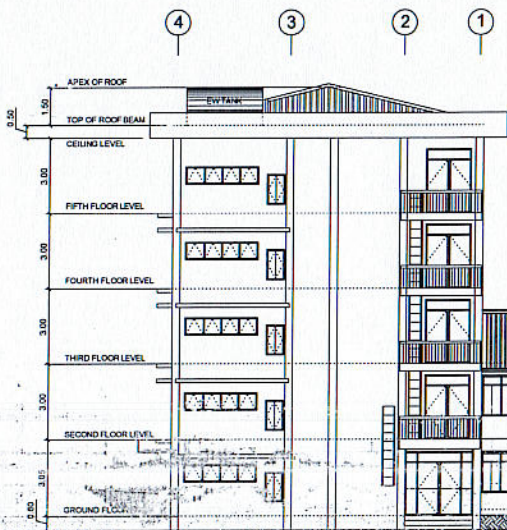
FRONT ELEVATION

SCALE 1: 100 M.



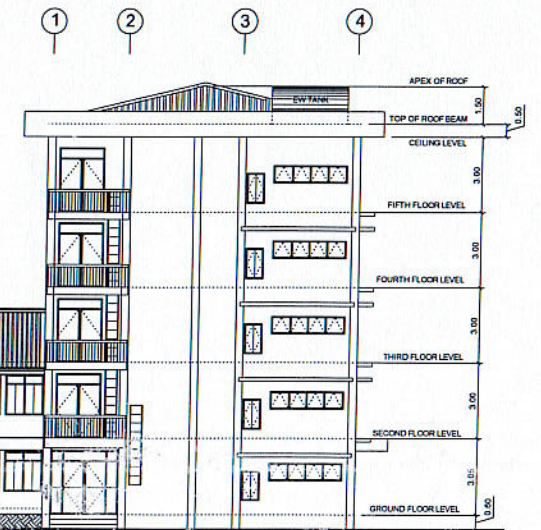
CROSS SECTION THRU C-C

SCALE 1: 300 M.



LEFT SIDE ELEVATION

SCALE 1: 300 M.



RIGHT SIDE ELEVATION

SCALE 1: 300 M.

CADD BY:
E.N. RODEROS JR.
E.N. RODEROS JR.

END USER:
C. LOPEZ
DEAN CEMDS

ENDORSED BY:
O. B. DE LOS REYES
DIRECTOR PLANNING OFFICE

REC. APPROVAL:
M.J. TEJERA
VPPD CVSU

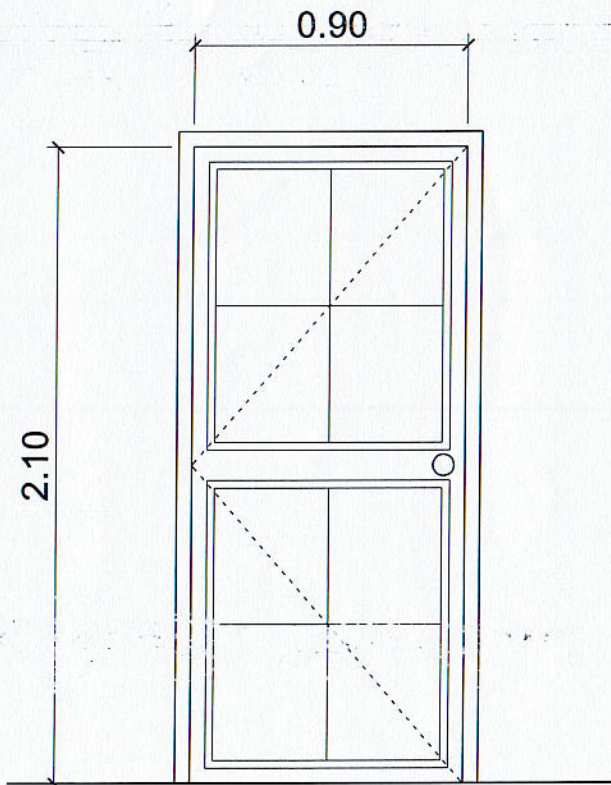
APPROVED BY:
G.A. POLINGA
VPASS CVSU

APPROVED BY:
D. ROBLES
PRES CVSU

PROJECT TITLE/ LOCATION:
IMPROVEMENT OF OLD CEMDS BUILDING
CVSU, MAIN CAMPUS

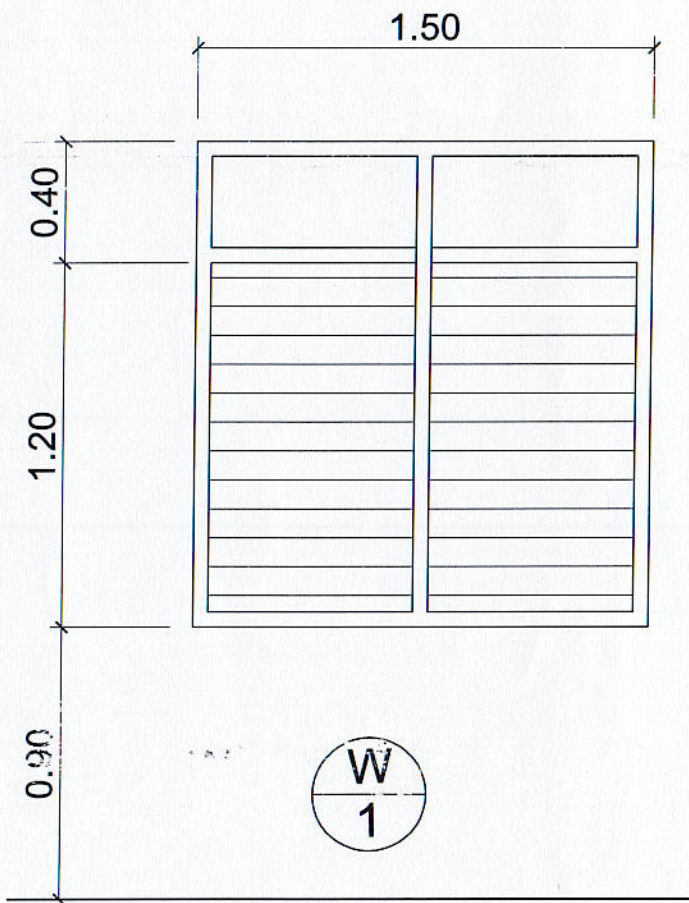
IMPLEMENTING AGENCY
CAVITE STATE UNIVERSITY

SHT NO:
A-4

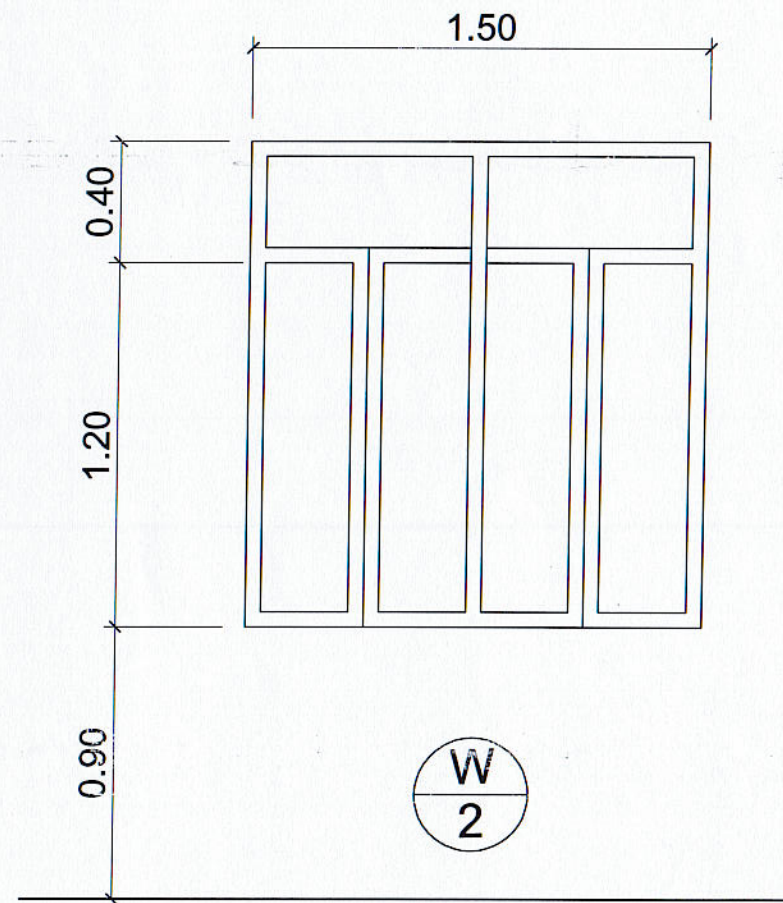


D
1

0.90 X 2.10 STEEL DOOR W/
COMPLETE ACCESSORIES
26 SETS

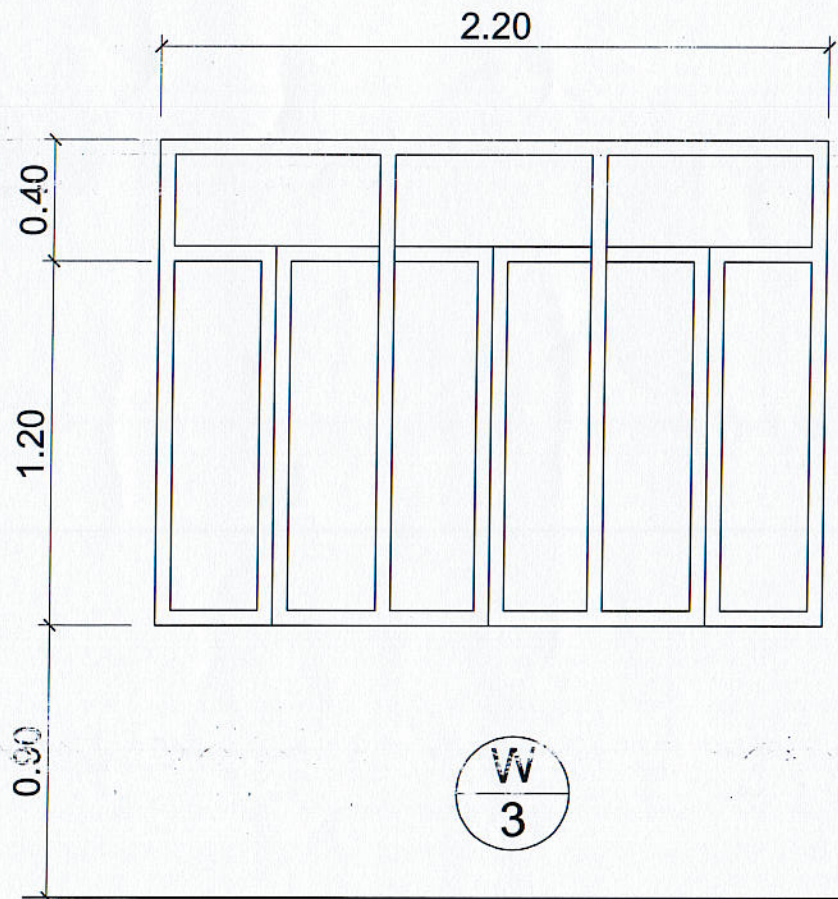


JALOUSIE WINDOW COMPLETE W /
ALL ACCESSORIES W / 1/4" THK COLORED GLASS
ON COLORED POWDER COATED FINISH
ALUMINUM FRAMING
24 SETS
28

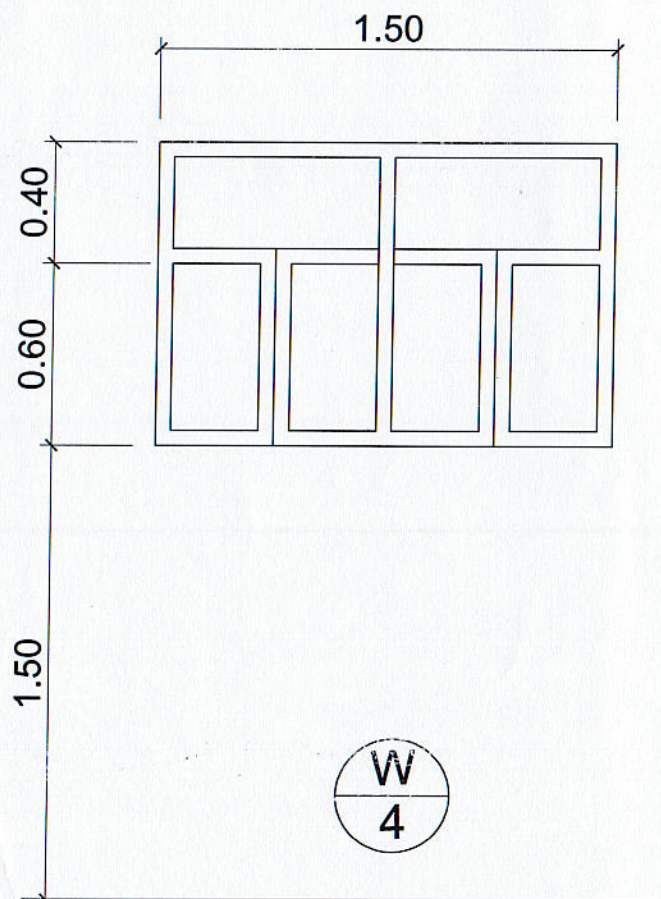


ALUMINUM CASEMENT WINDOW COMPLETE W /
ALL ACCESSORIES W / 1/4" THK COLORED GLASS
ON COLORED POWDER COATED FINISH
ALUMINUM FRAMING
52 SETS
56

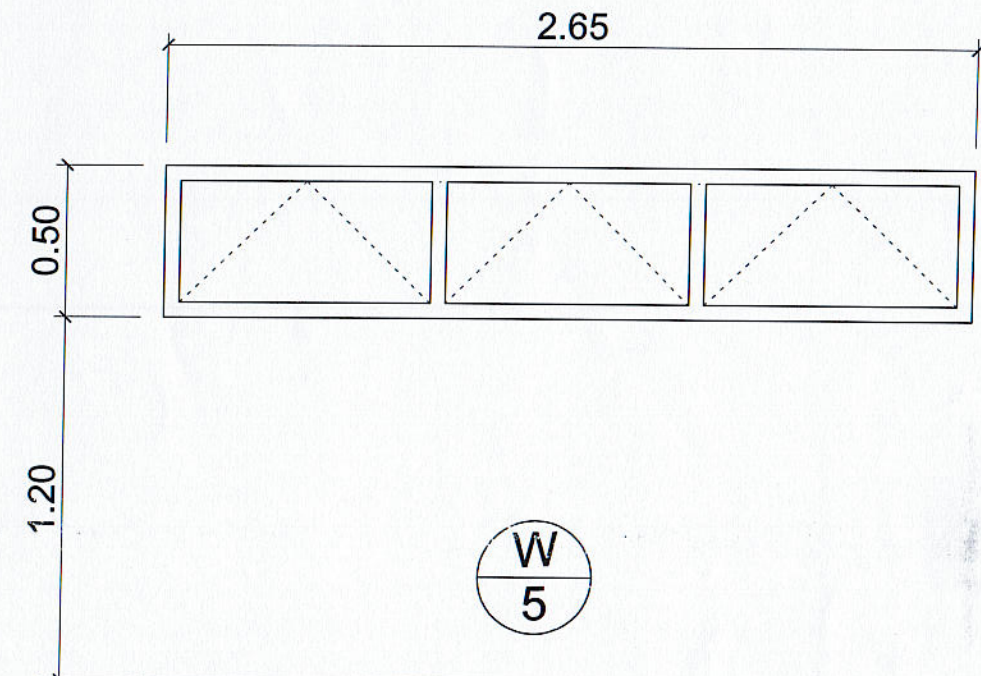
CADD BY: E. N. RODEROY JR.		END USER: T. C. LOPEZ DEAN CEMDS		ENDORSED BY: O. B. DELOS REYES DIRECTOR PLANNING OFFICE		REC. APPROVAL: M. D. TEPORA VPPD CVSU		APPROVED BY: H. D. ROBLES PRES CVSU		PROJECT TITLE/ LOCATION: IMPROVEMENT OF OLD CEMDS BUILDING CVSU, MAIN CAMPUS		IMPLEMENTING AGENCY: CAVITE STATE UNIVERSITY	SHT NO: A - 5
-----------------------------------	--	---	--	--	--	--	--	--	--	--	--	---	------------------



ALUMINUM CASEMENT WINDOW COMPLETE W /
 ALL ACCESSORIES W / 1/4" THK COLORED GLASS
 ON COLORED POWDER COATED FINISH
 ALUMINUM FRAMING
 44 SETS 8



ALUMINUM CASEMENT WINDOW COMPLETE W /
 ALL ACCESSORIES W / 1/4" THK COLORED GLASS
 ON COLORED POWDER COATED FINISH
 ALUMINUM FRAMING
 6 SETS ✓



ALUMINUM AWNING WINDOW COMPLETE W /
 ALL ACCESSORIES W / 1/4" THK COLORED GLASS
 ON COLORED POWDER COATED FINISH
 ALUMINUM FRAMING
 2 SETS ✓

CADD BY:
[Signature]
 E. N. RODEROS JR.

END USER:
[Signature]
 T. C. LOPEZ
 DEAN CEMDS

ENDORSED BY:
[Signature]
 G. B. DELOS REYES
 DIRECTOR PLANNING OFFICE

REC. APPROVAL:
[Signature]
 M. D. TEMPORA
 VPPD CVSU

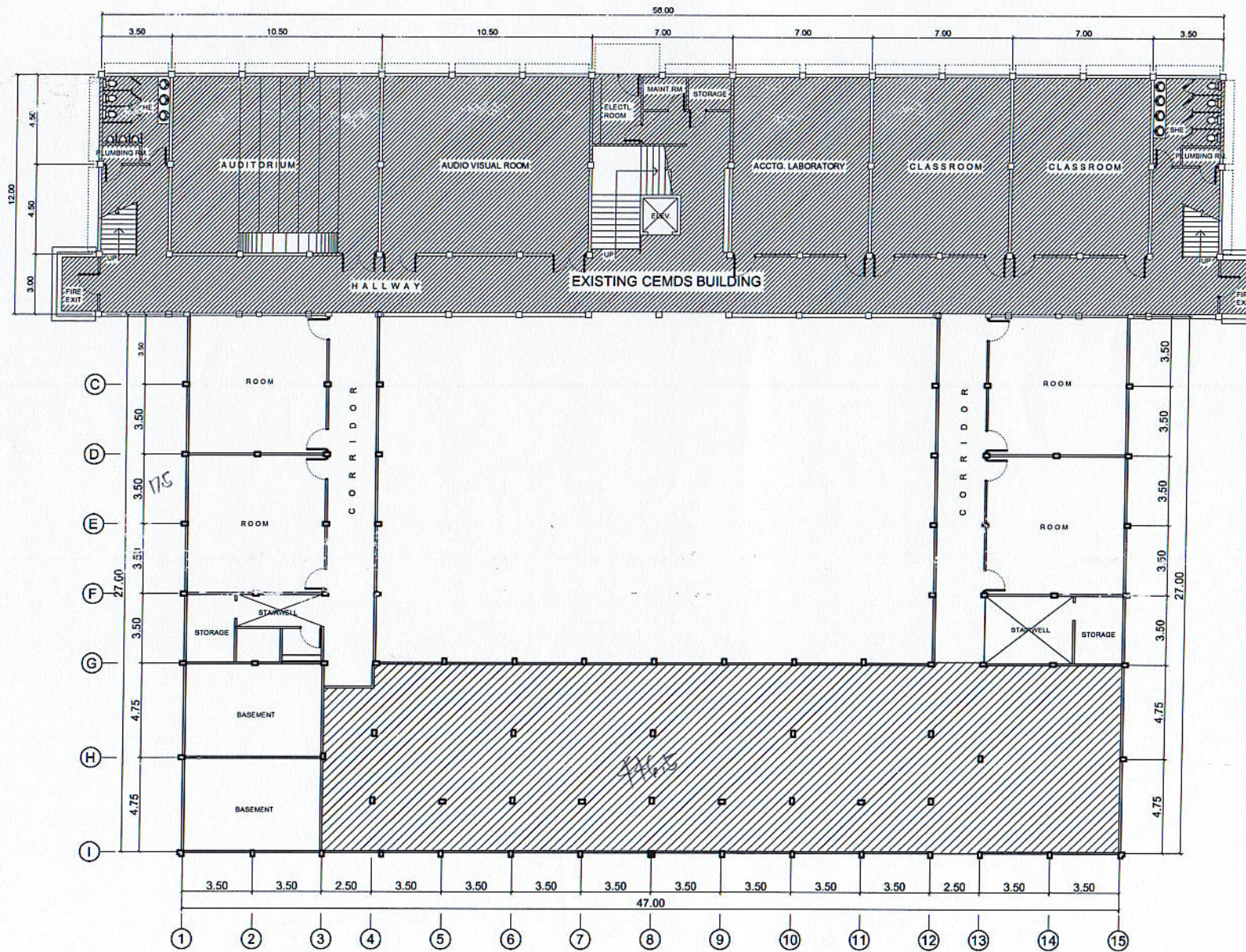
APPROVED BY:
[Signature]
 C. A. POLINGA
 VPASS CVSU

APPROVED BY:
[Signature]
 H. D. ROSLES
 PRES CVSU

PROJECT TITLE/LOCATION:
 IMPROVEMENT OF OLD CEMDS BUILDING
 CVSU, MAIN CAMPUS

IMPLEMENTING AGENCY:
 CAVITE STATE UNIVERSITY

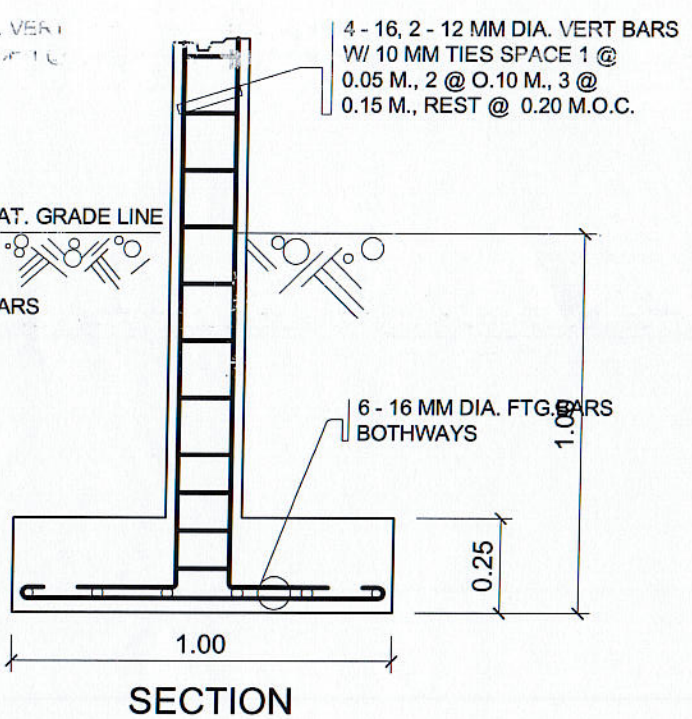
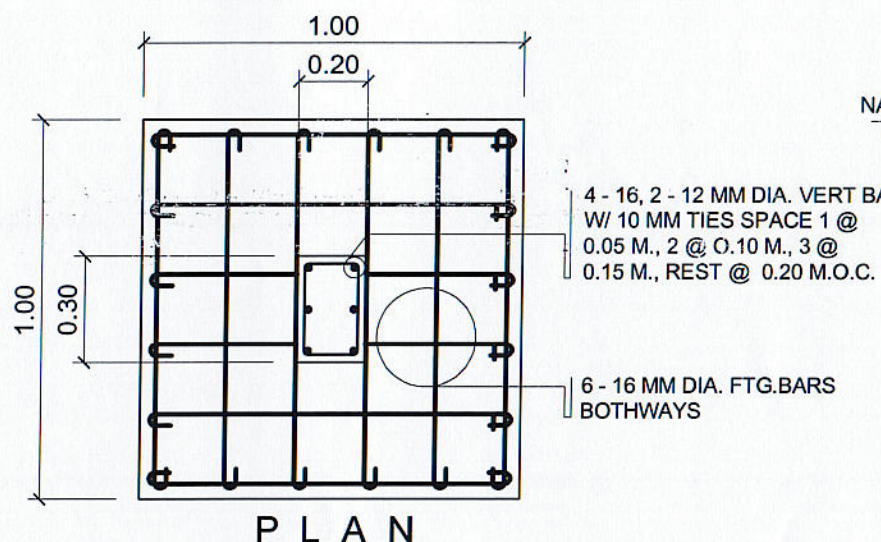
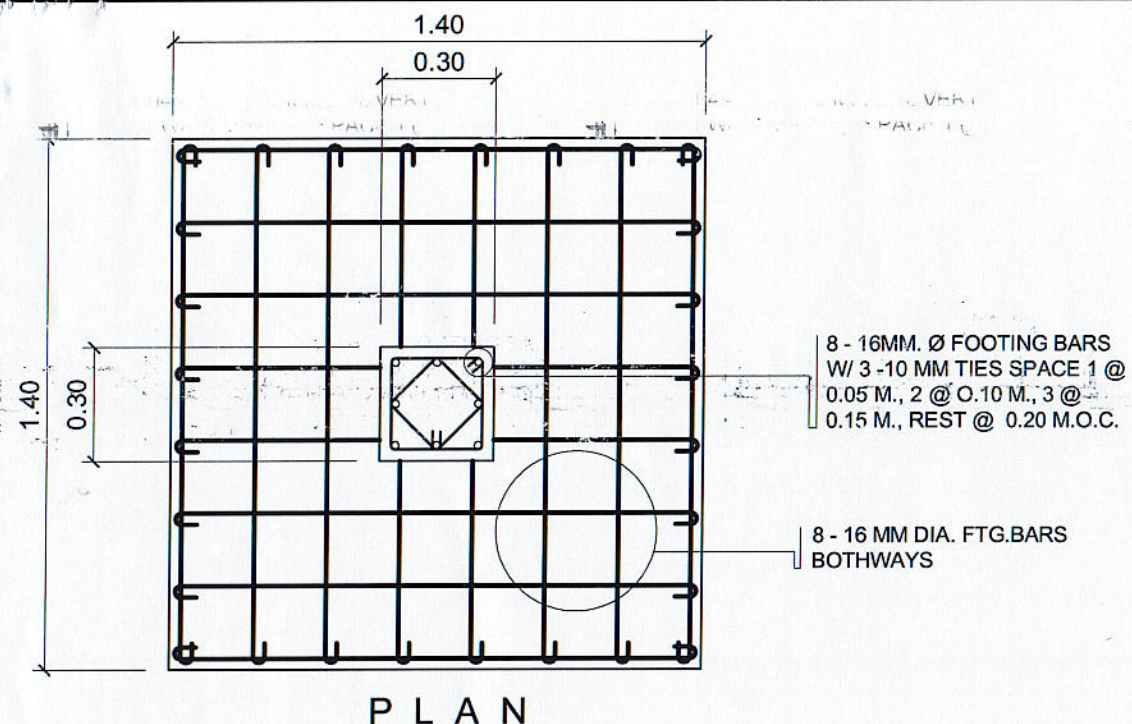
SHT NO:
 A - 6



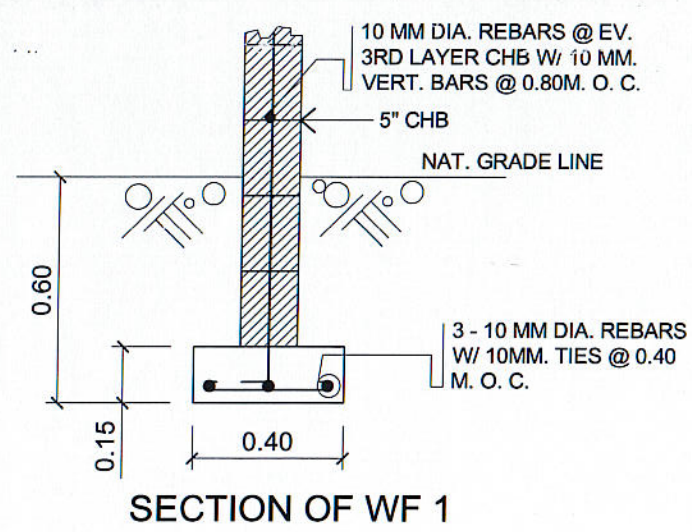
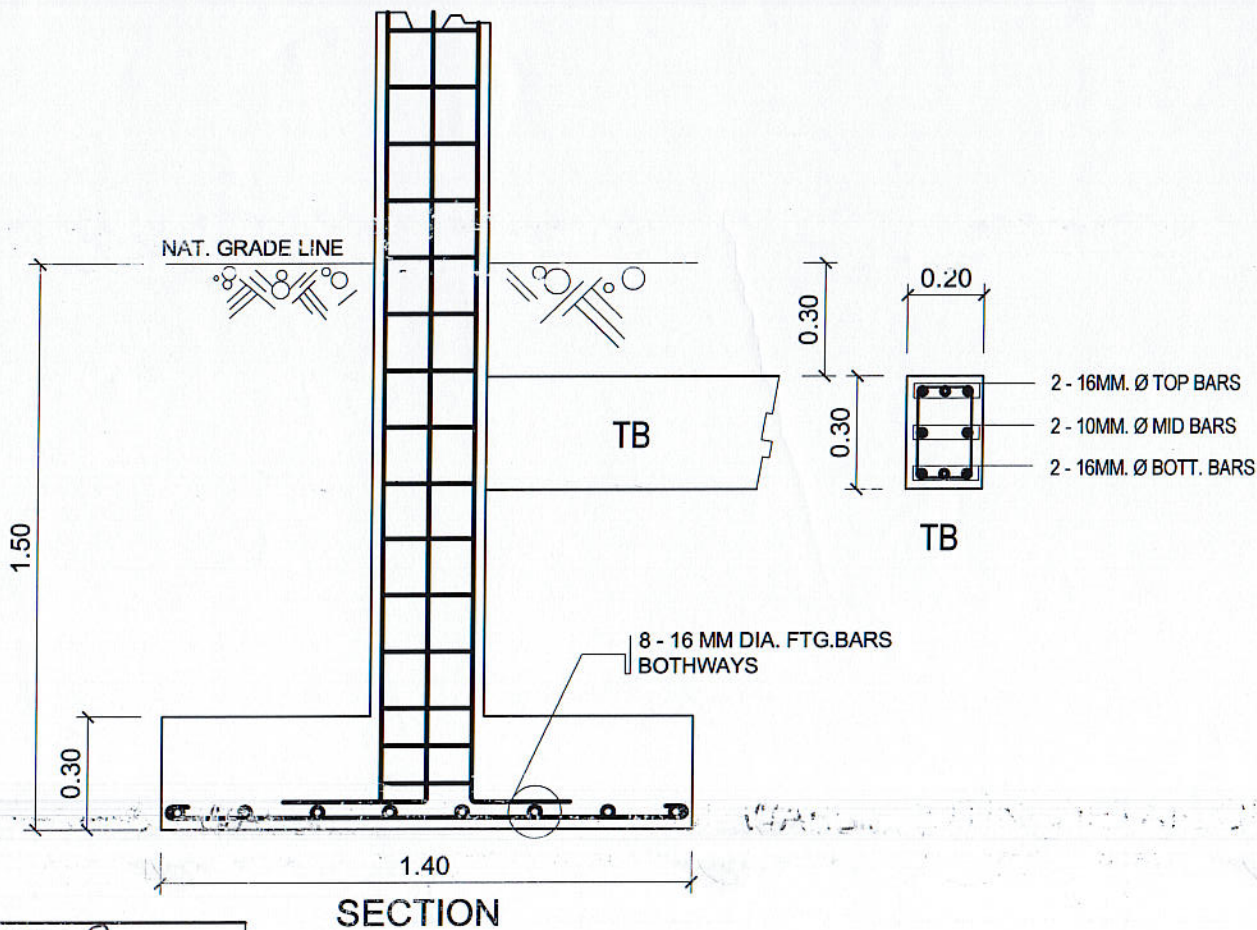
FOUNDATION PLAN

SCALE 1:300 M.

CADD BY: <i>[Signature]</i> E. N. RODEROS JR.		CIVIL ENGINEER: <i>[Signature]</i> L. E. ROJELA		END USER: <i>[Signature]</i> T. G. LOPEZ DEAN CEMDS		ENDORSED BY: <i>[Signature]</i> O. B. DELOS REYES DIRECTOR PLANNING OFFICE		REC. APPROVAL: <i>[Signature]</i> M. J. D. TEPORA VPPD CVSU		APPROVED BY: <i>[Signature]</i> H. D. ROBLES PRES CVSU		PROJECT TITLE/LOCATION: IMPROVEMENT OF OLD CEMDS BUILDING CVSU, MAIN CAMPUS		IMPLEMENTING AGENCY CAVITE STATE UNIVERSITY		SHT NO: S-1	
---	--	---	--	---	--	--	--	---	--	--	--	---	--	--	--	----------------	--



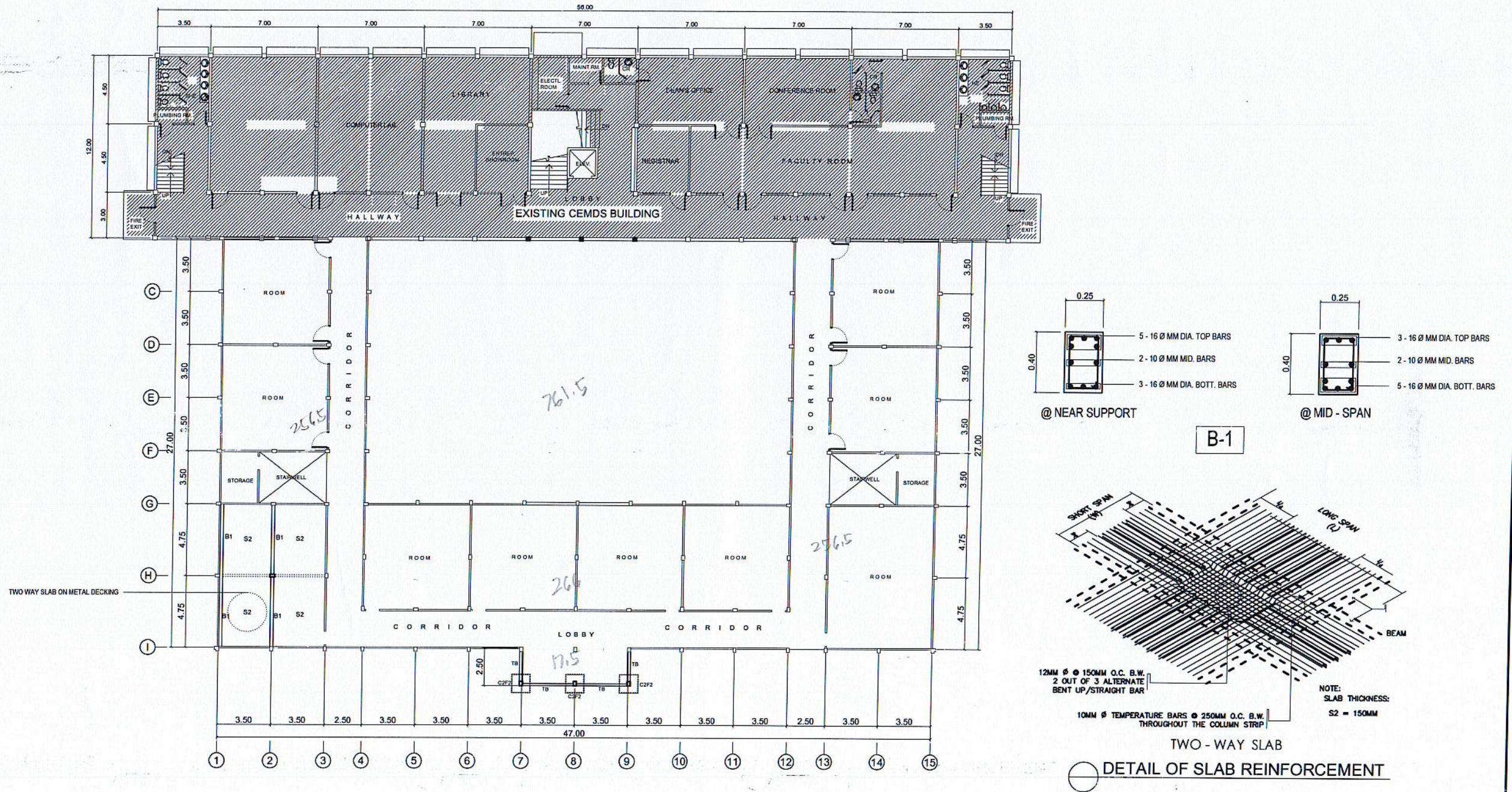
DETAIL OF C2 F2
SCALE 1 : 20 MTS.



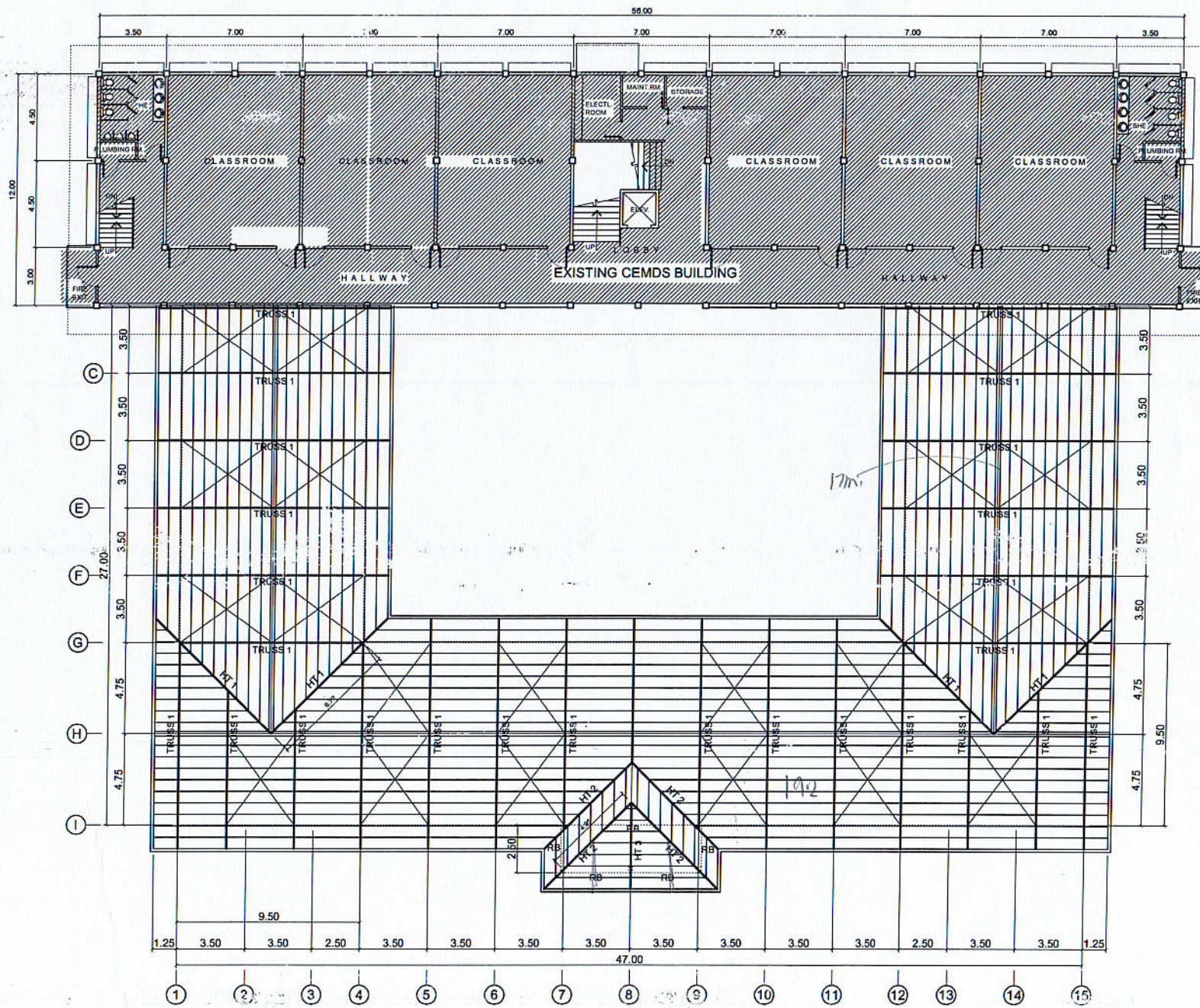
DETAIL OF WALL FOOTING
SCALE 1 : 20 MTS.

DETAIL OF C1 - F1
SCALE 1 : 20 MTS.

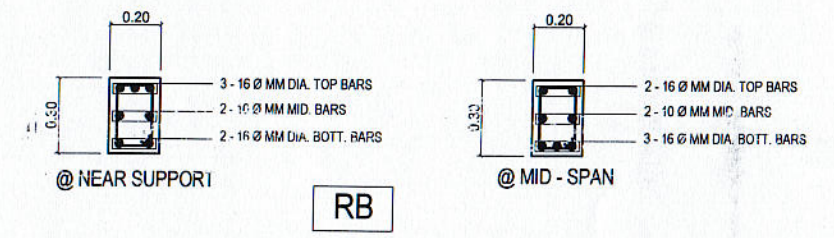
CIVIL ENGINEER: <i>L. E. RODELA</i>		ENDORSED BY: <i>O. B. DELOS REYES</i>		REC. APPROVAL: <i>M. J. D. TERPORA</i>		APPROVED BY: <i>H. D. ROBLES</i>		PROJECT TITLE/LOCATION: IMPROVEMENT OF OLD CEMDS BUILDING CVSU, MAIN CAMPUS	IMPLEMENTING AGENCY: CAVITE STATE UNIVERSITY	SHT NO.: S - 2
END USER: <i>E. T. C. LAPEZ</i> DEAN CEMDS	ENDORSED BY: <i>O. B. DELOS REYES</i> DIRECTOR PLANNING OFFICE	REC. APPROVAL: <i>M. J. D. TERPORA</i> VPPD CVSU	APPROVED BY: <i>H. D. ROBLES</i> PRES CVSU	PROJECT TITLE/LOCATION: IMPROVEMENT OF OLD CEMDS BUILDING CVSU, MAIN CAMPUS		IMPLEMENTING AGENCY: CAVITE STATE UNIVERSITY		SHT NO.: S - 2		



CADD BY: <i>[Signature]</i> E. N. RODEROS JR.		CIVIL ENGINEER: <i>[Signature]</i> L. E. ROGELA		SCALE 1:300 M.	
END USER: <i>[Signature]</i> T. C. LOPEZ DEAN CEMDS		ENDORSED BY: <i>[Signature]</i> O. B. DELOS REYES DIRECTOR PLANNING OFFICE		REC. APPROVAL: <i>[Signature]</i> C. A. POLINGA VPASS CVSU	
		M. M. ESCOBAR VPPD CVSU		APPROVED BY: <i>[Signature]</i> H. D. ROBLES PRES CVSU	
				PROJECT TITLE/LOCATION: IMPROVEMENT OF OLD CEMDS BUILDING CVSU, MAIN CAMPUS	
				IMPLEMENTING AGENCY CAVITE STATE UNIVERSITY	
				SHT NO: S - 3	

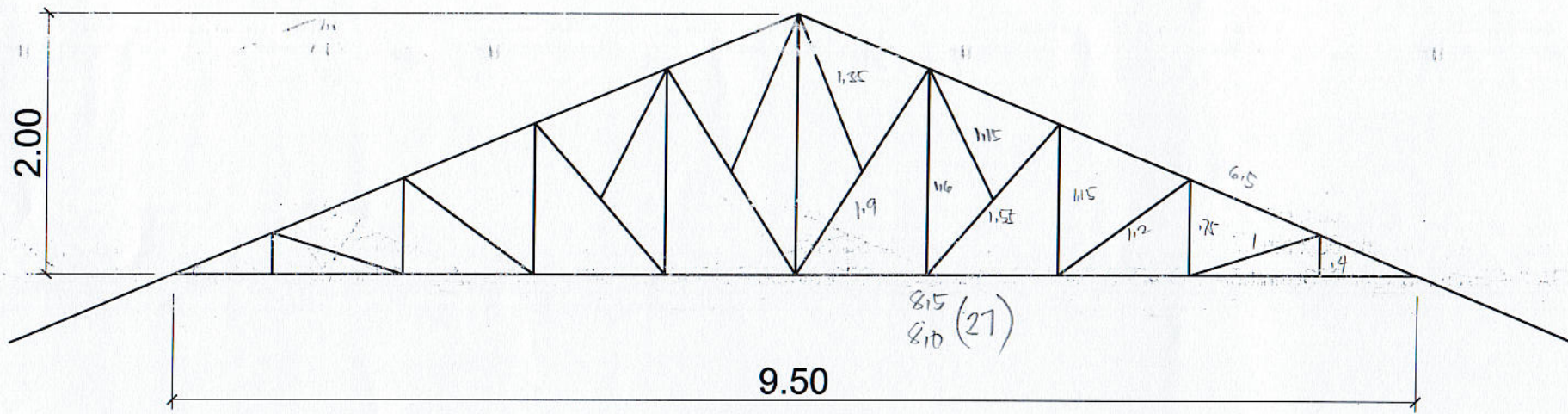


12 - finishing



ROOF FRAMING PLAN
SCALE 1:300 M.

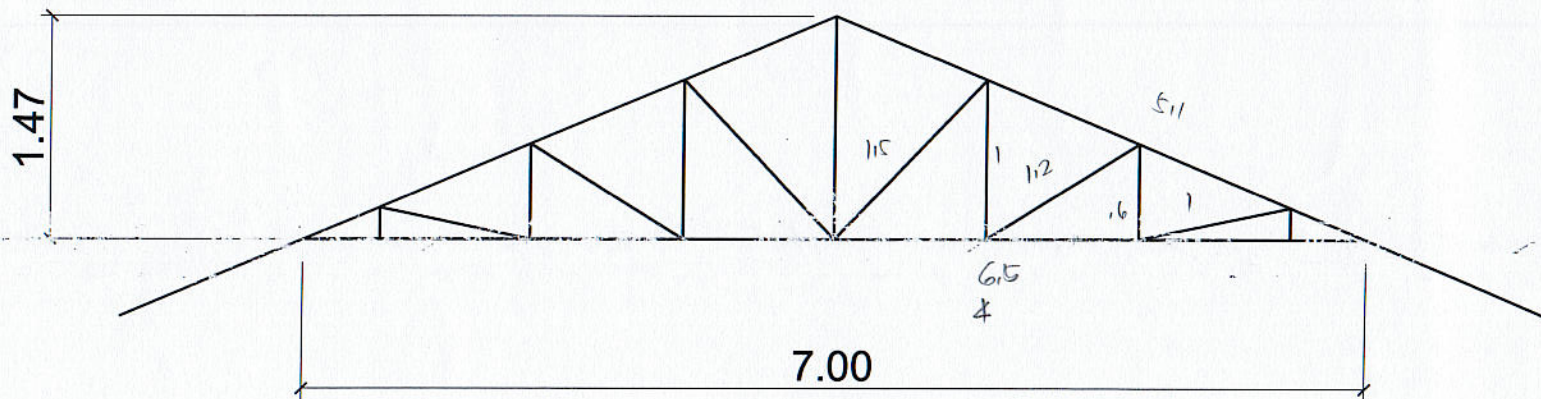
CADD BY: <i>[Signature]</i> E. N. RODEROS JR.		CIVIL ENGINEER: <i>[Signature]</i> L. E. RUCELA		END USER: <i>[Signature]</i> T. C. LOPEZ DEAN CEMDS		ENDORSED BY: <i>[Signature]</i> O. B. DELOS REYES DIRECTOR PLANNING OFFICE		REC. APPROVAL: <i>[Signature]</i> M. J. D. TEPORA VPPD CVSU		APPROVED BY: <i>[Signature]</i> H. D. ROBLES PRES CVSU		PROJECT TITLE/LOCATION: IMPROVEMENT OF OLD CEMDS BUILDING CVSU, MAIN CAMPUS		IMPLEMENTING AGENCY: CAVITE STATE UNIVERSITY		SHT NO: S - 4	
---	--	---	--	---	--	--	--	---	--	--	--	---	--	---	--	------------------	--



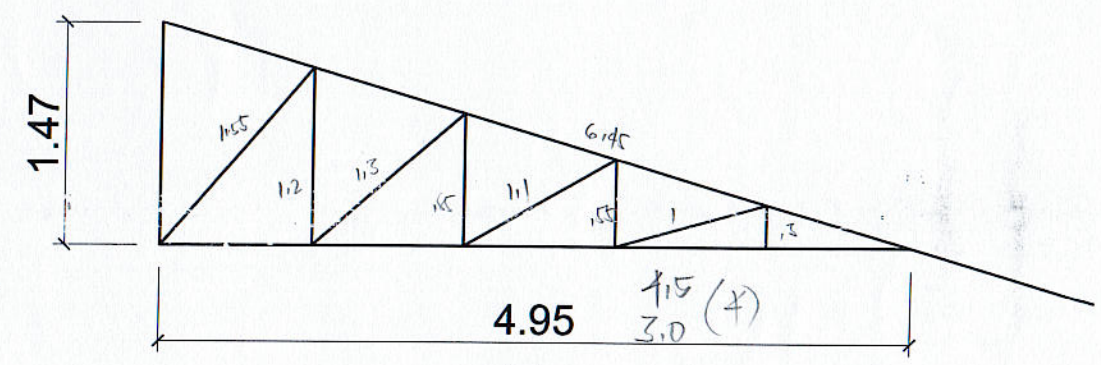
TRUSS 1

NOTE:

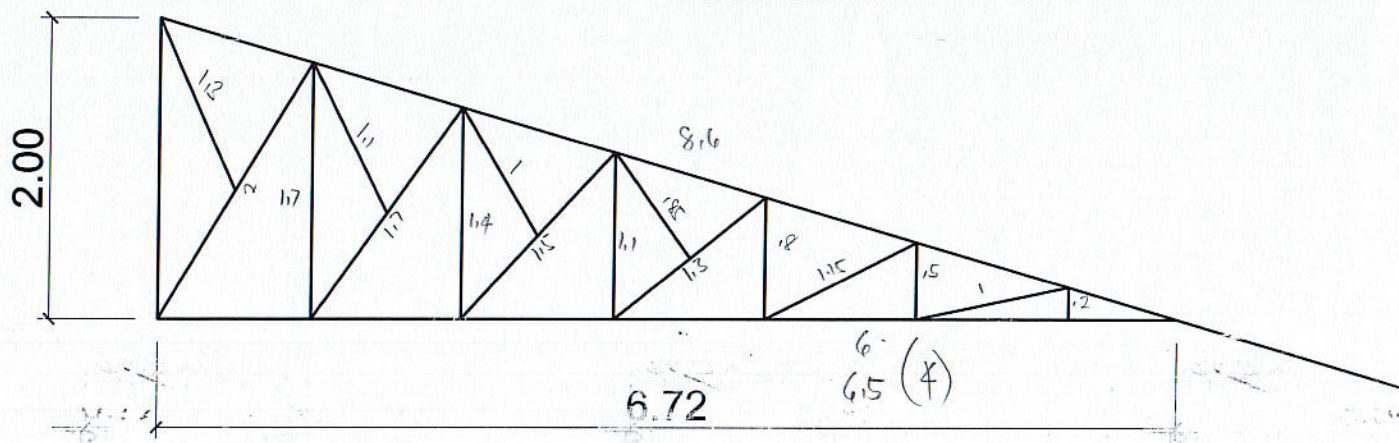
- USE THE FOLLOWING:
- 2 - 50mm x 50mm x 6mm ANGULAR BAR FOR TOP CHORDS
 - 2 - 50mm x 50mm x 6mm ANGULAR BAR FOR BOTTOM CHORDS
 - 2 - 50mm x 50mm x 6mm ANGULAR BAR FOR KING POSTS
 - 2 - 38mm x 38mm x 6mm ANGULAR BAR FOR WEB MEMBERS
 - 12mm THICK GUSSET PLATES ON ALL JOINTS
 - 16mm Ø ROUND BAR CROSS BRACING W/ TURN BUCKLES
 - 12mm Ø ROUND BAR SAG ROD AT MIDDLE THIRD
 - 50mm x 150mm x 1.5mm CEE PURLINS SPACED @ 0.60m O.C.
 - 12mm THICK BASE PLATES
 - 16mm Ø ANCHOR BOLTS



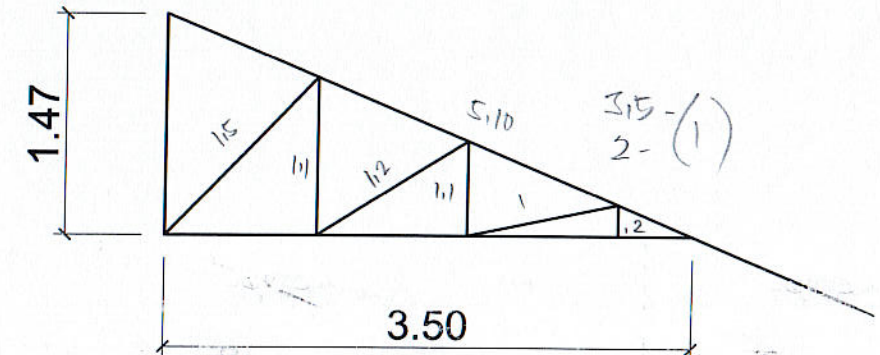
TRUSS 2



HT 2



HT 1



HT 3

TRUSS DIAGRAM



SCALE 1:50 MTS.

CADD BY: <i>[Signature]</i> E. N. RODRIGOS JR.		CIVIL ENGINEER: <i>[Signature]</i> L. E. ROCELA		REC. APPROVAL: <i>[Signature]</i> A. POLINGA VPASS CVSU		APPROVED BY: <i>[Signature]</i> H. D. ROBLES PRES CVSU		PROJECT TITLE/LOCATION: IMPROVEMENT OF OLD CEMDS BUILDING CVSU, MAIN CAMPUS		IMPLEMENTING AGENCY: CAVITE STATE UNIVERSITY		SHT NO: S - 5
END USER: <i>[Signature]</i> T. C. LOPEZ DEAN CEMDS		ENDORSED BY: <i>[Signature]</i> O. B. DELOS REYES DIRECTOR PLANNING OFFICE		REC. APPROVAL: <i>[Signature]</i> M. J. D. TEPORA VPPD CVSU		APPROVED BY: <i>[Signature]</i> H. D. ROBLES PRES CVSU		PROJECT TITLE/LOCATION: IMPROVEMENT OF OLD CEMDS BUILDING CVSU, MAIN CAMPUS		IMPLEMENTING AGENCY: CAVITE STATE UNIVERSITY		SHT NO: S - 5

GENERAL NOTES AND SPECIFICATIONS:

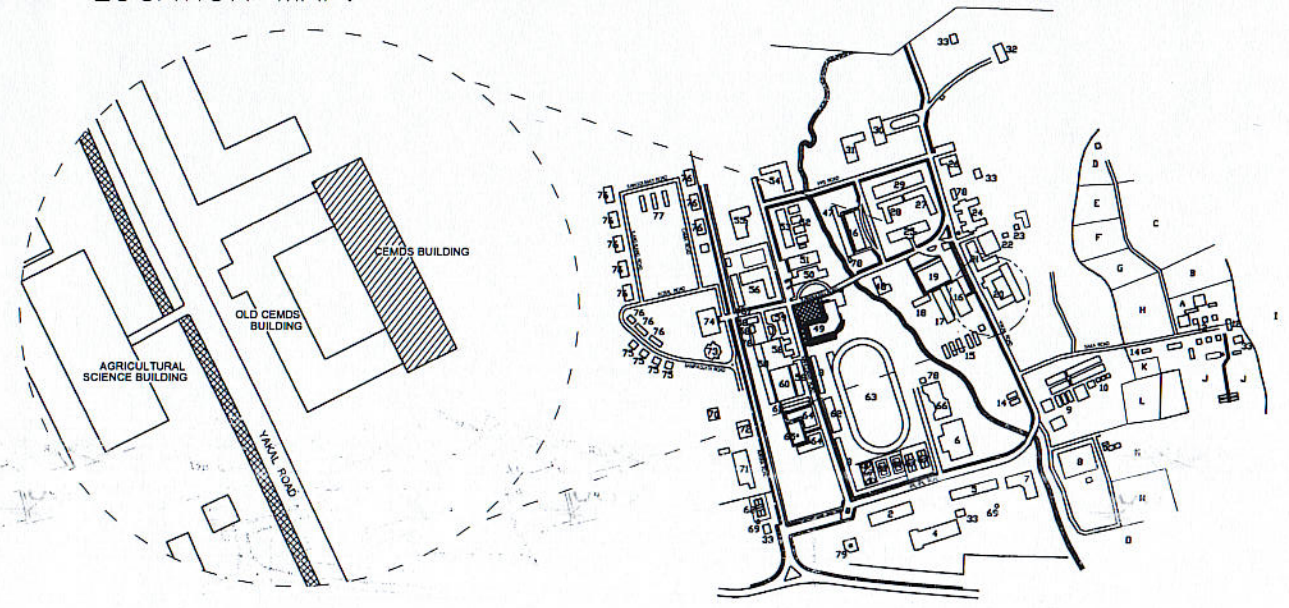
- ALL WORK HEREIN SHALL BE DONE IN ACCORDANCE WITH THE PLANS AND SPECIFICATIONS.
- ELECTRICAL WORKS SHALL BE IN ACCORDANCE WITH THE LATEST EDITION OF THE PHILIPPINE ELECTRICAL CODE, MUNICIPAL/CITY LAWS AND ORDINANCES AND THE REGULATIONS FOR THE LOCAL POWER AND TELEPHONE COMPANY.
- THE JOB SHALL BE EXECUTED IN THE MOST THOROUGH PROMPT AND WORKMANLIKE MANNER EMPLOYING STANDARD TOOLS, EQUIPMENT, METHODS AND GOOD ENGINEERING PRACTICE. THE JOB SHALL BE DONE IN ALL ASPECTS AS REQUIRED PER PLANS AND SPECIFICATIONS AND READY FOR OPERATION.
- THE DRAWINGS AND SPECIFICATIONS ARE INTENDED TO PERSENT A GENERAL LAYOUT AND BROAD OUTLINE/DESCRIPTION OF THE PROJECT, BUT DO NOT NECESSARILY INDICATE OR DESCRIBE ACTUAL LOCATIONS, LEVELS AND DISTANCES OF THE EQUIPMENT. THE CONTRACTOR IS HEREBY REQUIRED TO MAKE SUCH ADJUSTMENTS AT THE JOBSITE THAT ARE GOVERNED BY ACTUAL FIELD CONDITION.
- SERVICE VOLTAGE TO THE BUILDING FROM THE POWER SOURCE SHALL BE 230V.
- SERVICE ENTRANCE WIRING SHALL BE RIGID STEEL CONDUIT (RSC).
- FEEDER WIRING SHALL BE ELECTRICAL METALLIC TUBING (EMT).
- BRANCH CIRCUIT WIRING ELECTRICAL METALLIC TUBING (EMT).
- BRANCH CIRCUIT WIRING EMBEDDED IN CONCRETE SHALL BE IN PVC PIPE WITH ADEQUATE GROUND WIRE FOR EQUIPMENT GROUNDING.
- LIGHT SWITCHES SHALL BE 15A, 230VAC.
- ALL MATERIALS SHALL BE BRAND NEW AND OF APPROVED TYPE FOR LOCATION AND PURPOSE INTENDED.
- DEVICES, FIXTURES LOCATED OUTDOOR SHALL BE WEATHERPROOF TYPE.
- MOUNTING HEIGHTS ARE:

A. LIGHT SWITCHES	1.40M ABOVE FLOOR FINISH
B. CONVENIENCE OUTLETS	0.30M ABOVE FLOOR FINISH
C. TELEPHONE OUTLETS	0.30M ABOVE FLOOR FINISH
D. PANEL BOARD	1.50M ABOVE FLOOR FINISH
E. EMERGENCY LIGHT	0.30M BELOW CEILING LINE
- ANY DESCRIPANCY BETWEEN THE PLANS AND SPACIFICATIONS SHALL BE BROUGHT TO THE ATTENTION OF THE ENGINEER FOR CLARIFICATION OR DECISION.
- THE ENTIRE WORK SHALL BE DONE UNDER THE DIRECT SUPERVISION OF DULY REGISTERED ELECTRICAL ENGINEER.
- REFER TO SHEETS E-1 FOR EXACT NUMBER AND LOCATION OF DEVICES/EQUIPMENT FOR ELECTRICAL SYSTEM. ANY CONFLICT ON QUANTITY AND/OR LAYOUT MUST BE VERIFIED AND CONFIRMED TO DESIGNER/CONSULTANT.
- REFER TO LOAD SCHEDULE FOR THE RATING OF INDIVIDUAL ENCL, ACB'S IN NEMA-3R.
- ALL ELECTRICAL CONDUITS AND TELEPHONE SERVICE ENTRANCE THAT INSTALLED BELOW THE GROUND SHALL BE IN CONCRETE ENCASEMENT.
- ANY DEVICES OR EQUIPMENT NOT REFLECTED OR SHOWN ON PLANS BUT REQUIRED TO COMPLETE THE SYSTEM MUST BE INCLUDED ON SCOPE OF WORK.
- REQUEST FOR TEMPORARY POWER INTERRUPTION SHOULD BE COORDINATED TO OWNER'S REPRESENTATIVE OR DESIGNER.

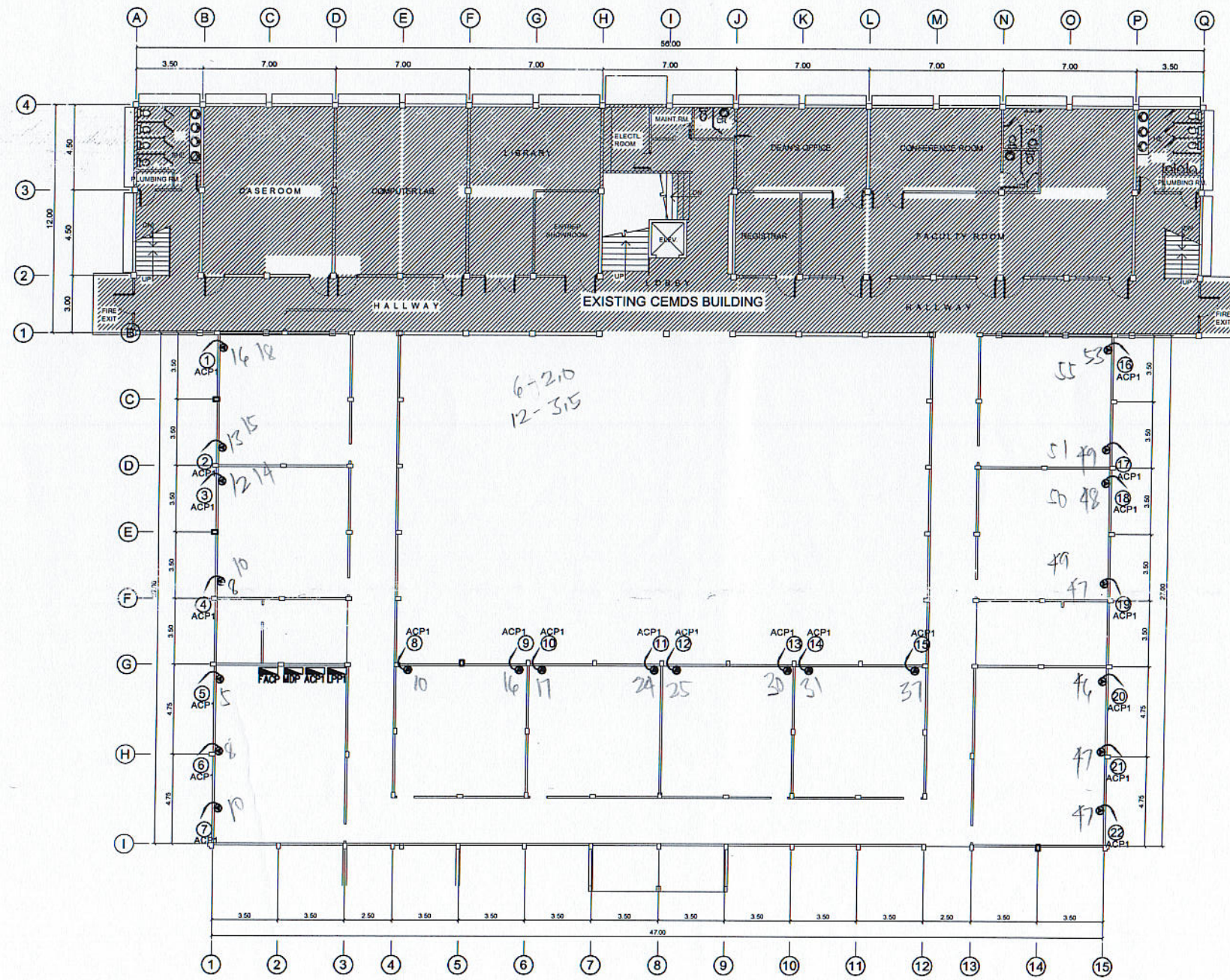
LEGEND AND SYMBOLS:

	LED LIGHT BULB, 9W w/ 6" SURFACE TYPE VERTICAL ROUND FIXTURE (PL)		TWO GANG CONVENIENCE OUTLET
	LED SPOT LIGHT, 100W, IP65 (SL)		THREE PIN ACU OUTLET
	1-9W LIGHT TUBE, T5 w/ FIXTURES 2 FT. LENGTH (FL)		ACU WINDOW TYPE
	2-9W LIGHT TUBE, T5 w/ FIXTURES 2 FT. LENGTH (FL)		ACU CONDENSER OUT DOOR UNIT WITH NEMA 3R CIRCUIT BREAKER
	1-18W LIGHT TUBE, T8 w/ FIXTURES 4 FT. LENGTH (FL)		FLOOR/WALL MOUNTED ACU WALL/FLOOR MOUNTED, SPLIT TYPE, INDDOR UNIT
	2-18W LIGHT TUBE, T8 w/ FIXTURES 4 FT. LENGTH (FL)		2.0 mm ² THN
	EMERGENCY LIGHT (EL)		3.5 mm ² THN
	LED EXIT/FIRE EXIT SIGN (FEL)		CIRCUIT HOMERUN
	S ₁ S _A ONE GANG SWITCH		1LPP1 CIRCUIT NUMBER
	S ₂ S _{AB} TWO GANG SWITCH		PANEL BOARD
	S ₃ THREE GANG SWITCH		SERVICE ENTRANCE
	S _{3W} THREE WAY SWITCH		KILOWATT HOUR METER
	CF CEILING FAN OUTLET		CONCRETE ENCASEMENT
			CABLE CHAMBER

LOCATION MAP:



PREPARED BY: R.J. R. SANCHEZ		PROFESSIONAL ELECTRICAL ENGR.: R. P. PEÑA						
END USER: T. C. LOPEZ DEAN CEMDS	ENDORSED BY: O. B. DELOS REYES DIRECTOR PLANNING OFFICE	M. J. D. TE PORA VPPD CVSU	REC. APPROVAL: G. A. POLINGA VPASS CVSU	APPROVED BY: H. D. ROBLES PRES CVSU	PROJECT TITLE/LOCATION: IMPROVEMENT OF OLD CEMDS BUILDING CVSU, MAIN CAMPUS	IMPLEMENTING AGENCY: CAVITE STATE UNIVERSITY	SHT NO.: E - 1	

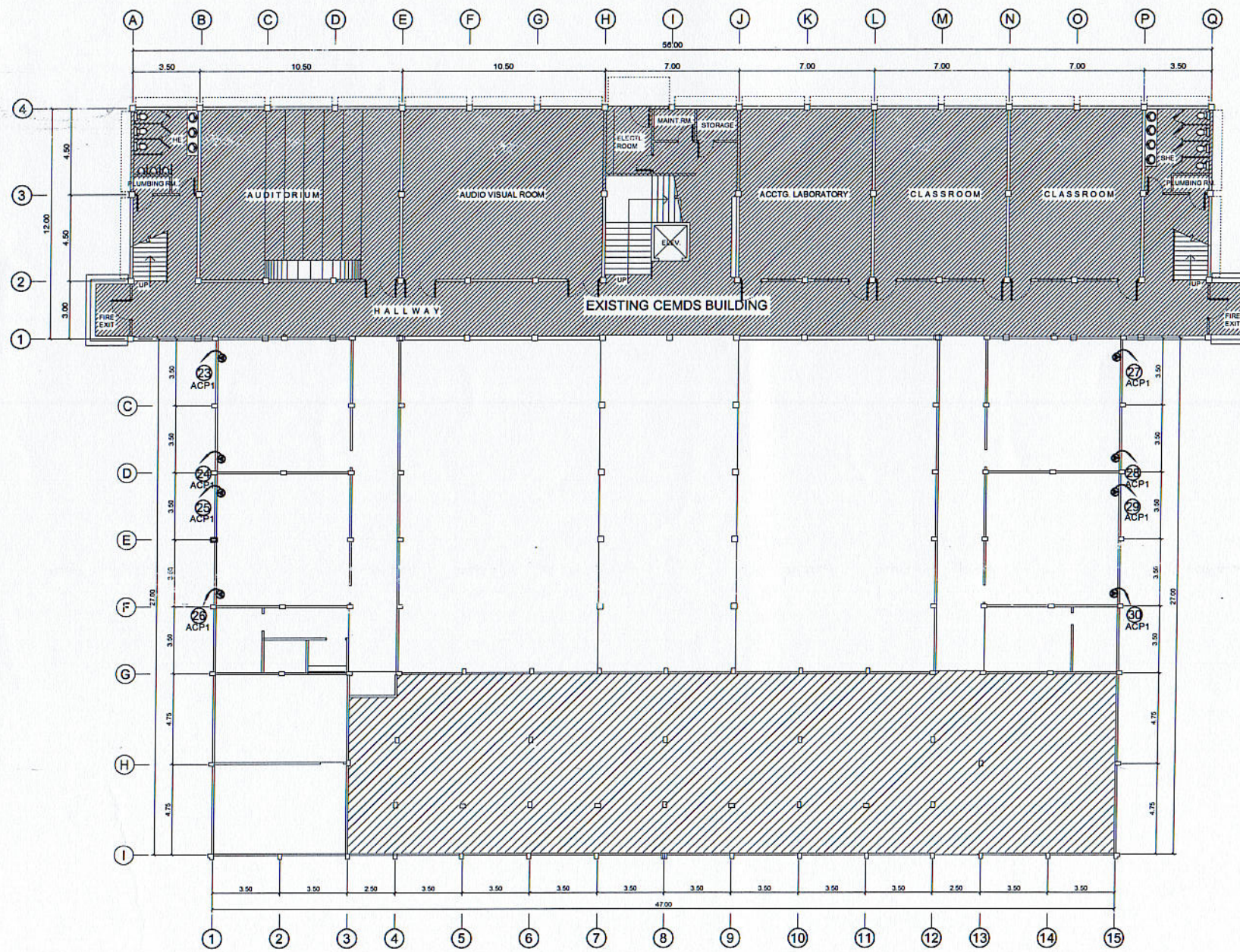


**ELECTRICAL LAYOUT (ACU)
MAIN FLOOR
OF OLD CEMDS BUILDING**

1
E/2

SCALE 1:300 M.

PREPARED BY: R. J. R. SANCHEZ		PROFESSIONAL ELECTRICAL ENGR.: <i>[Signature]</i>						
END USER: T. V. LOPEZ DEAN CEMDS	ENDORSED BY: G. B. DELOS REYES DIRECTOR - PLANNING OFFICE	REC. APPROVAL: M. J. D. TEPORA VPPD CVSU	APPROVED BY: C. A. POLINGA VPASS CVSU	APPROVED BY: H. D. ROBLES PRES CVSU	PROJECT TITLE / LOCATION: IMPROVEMENT OF OLD CEMDS BUILDING CVSU, MAIN CAMPUS	IMPLEMENTING AGENCY: CAVITE STATE UNIVERSITY	SHT NO.: E - 2	

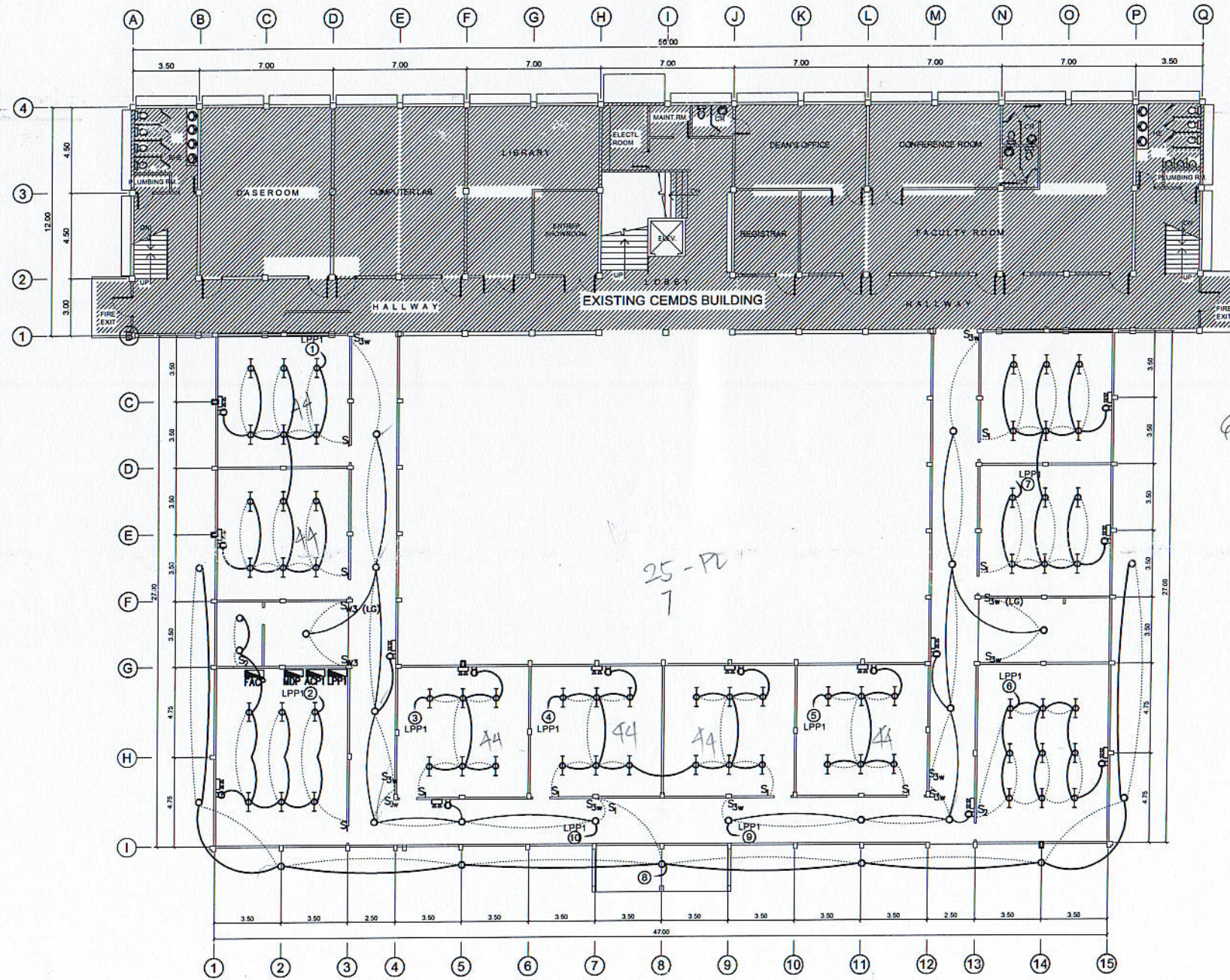


**ELECTRICAL LAYOUT (ACU)
GROUND FLOOR
OF OLD CEMDS BUILDING**

1
E 3

SCALE 1:300 M.

PREPARED BY: R. J. F. SANCHEZ		PROFESSIONAL ELECTRICAL ENGR.: R. P. PEÑA		END USER: F. O. LOPEZ DEAN CEMDS		ENDORSED BY: O. B. DELOS REYES DIRECTOR PLANNING OFFICE		REC. APPROVAL: M. J. TEPORA VPPD CVSU		APPROVED BY: C. A. POLINGA VPASS CVSU		APPROVED BY: H. D. ROBLES PRES CVSU		PROJECT TITLE/ LOCATION: IMPROVEMENT OF OLD CEMDS BUILDING CVSU, MAIN CAMPUS		IMPLEMENTING AGENCY: CAVITE STATE UNIVERSITY		SHT NO: E - 3	
----------------------------------	--	--	--	---	--	--	--	--	--	--	--	--	--	--	--	---	--	------------------	--

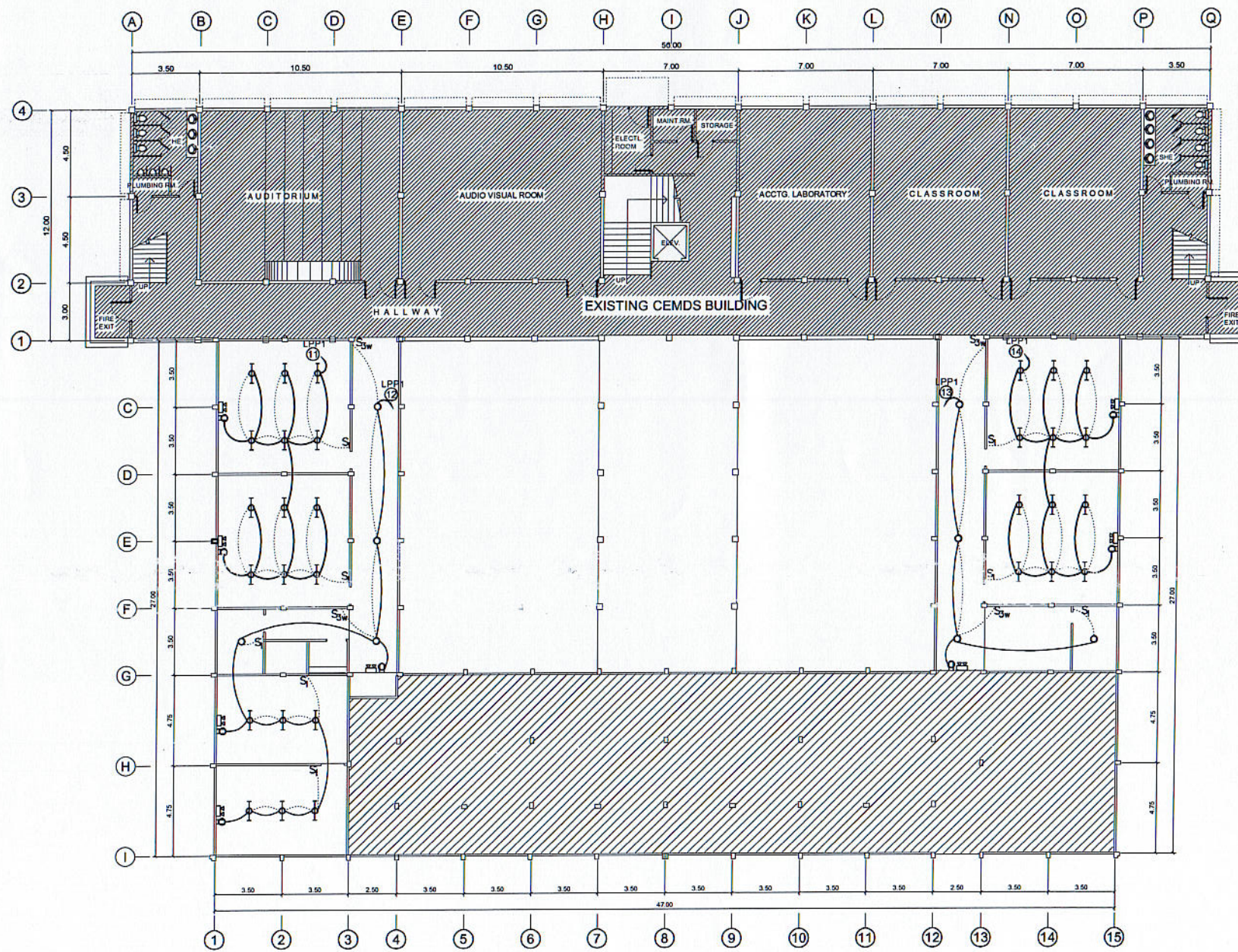


ELECTRICAL LAYOUT (LIGHTING OUTLET)
 MAIN FLOOR
 OF OLD CEMDS BUILDING

1
 E 4 SCALE

1:300 M.

PREPARED BY: R. C. R. SANCHEZ	PROFESSIONAL ELECTRICAL ENGR.: R. P. PERA	REC. APPROVAL: M. J. DITEPORA VPPD CVSU		APPROVED BY: H. D. ROBLES PRES CVSU	PROJECT TITLE/ LOCATION: IMPROVEMENT OF OLD CEMDS BUILDING CVSU, MAIN CAMPUS	IMPLEMENTING AGENCY: CAVITE STATE UNIVERSITY	SHT NO: E - 4
END USER: T. C. LOPEZ DEAN CEMDS	ENDORSED BY: O. B. DE LOS REYES DIRECTOR PLANNING OFFICE	REC. APPROVAL: G. A. POLINGA VPASS CVSU		APPROVED BY: H. D. ROBLES PRES CVSU	PROJECT TITLE/ LOCATION: IMPROVEMENT OF OLD CEMDS BUILDING CVSU, MAIN CAMPUS	IMPLEMENTING AGENCY: CAVITE STATE UNIVERSITY	SHT NO: E - 4

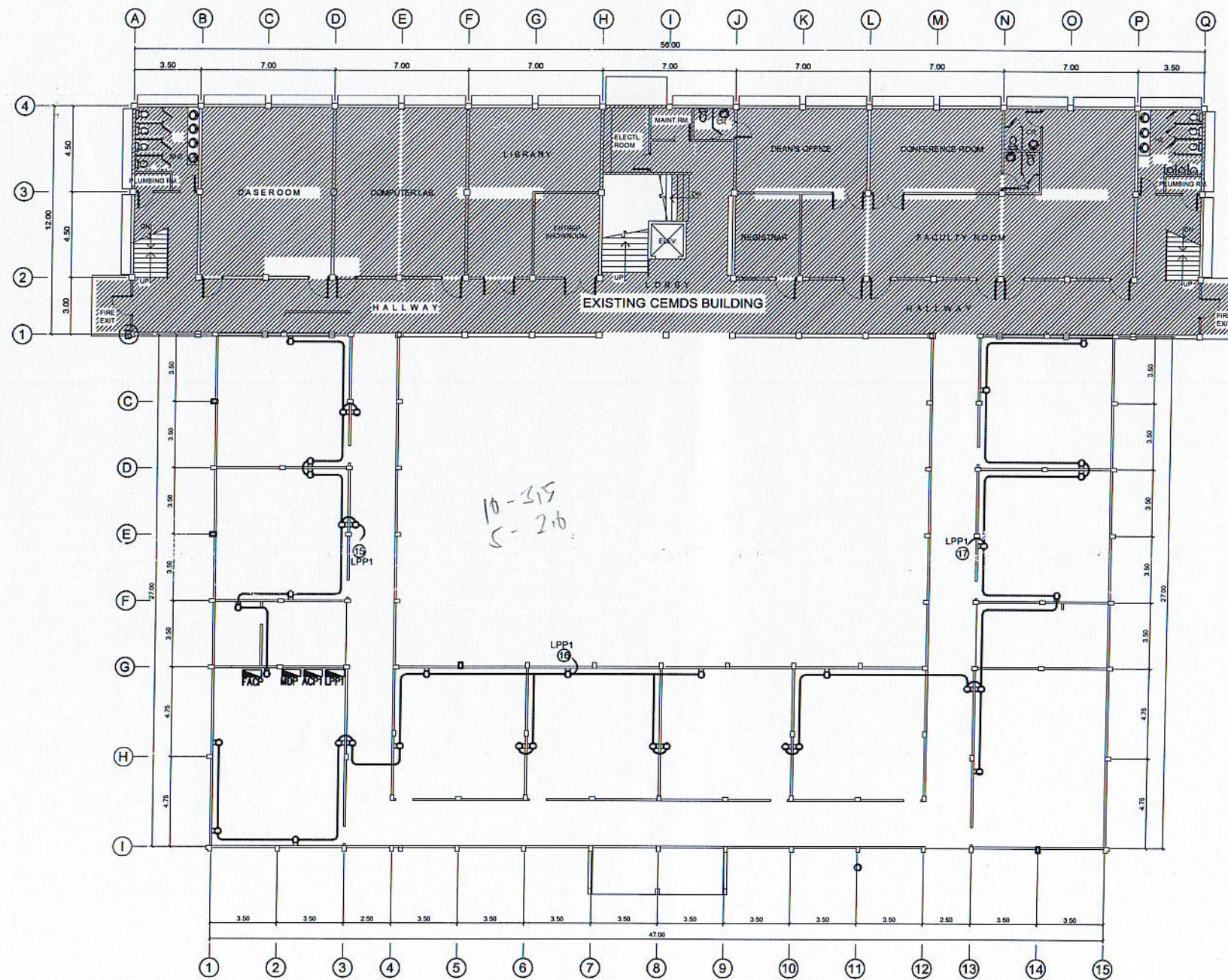


**ELECTRICAL LAYOUT (LIGHTING OUTLET)
GROUND FLOOR
OF OLD CEMDS BUILDING**

1
E 5 SCALE

1:300 M.

PREPARED BY:		PROFESSIONAL ELECTRICAL ENGR.:				
R. J. R. SANCHEZ		R. P. PENA				
END USER:	ENDORSED BY:	REC. APPROVAL:	APPROVED BY:	PROJECT TITLE/ LOCATION:	IMPLEMENTING AGENCY:	SHT NO.:
T. C. LOPEZ DEAN CEMDS	O. B. DELOS REYES DIRECTOR PLANNING OFFICE	M. J. D. TEPORA VPPD CVSU	C. A. OLINGA VPASS CVSU	H. D. ROBLES PRES CVSU	IMPROVEMENT OF OLD CEMDS BUILDING CVSU, MAIN CAMPUS	CAVITE STATE UNIVERSITY E - 5

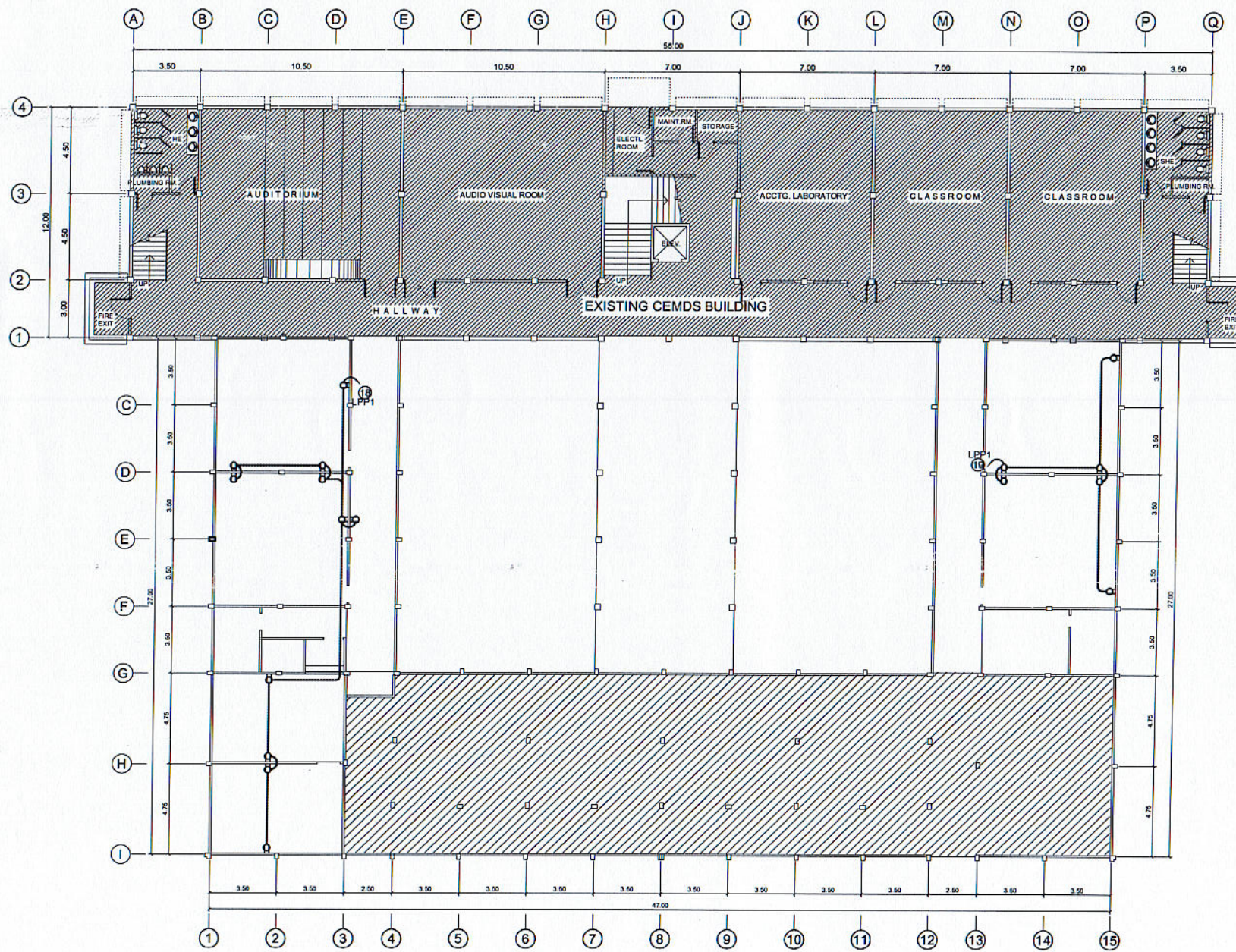


**ELECTRICAL LAYOUT (CONVENIENCE OUTLET)
MAIN FLOOR
OF OLD CEMDS BUILDING**

1
E 6 SCALE

1:300 M.

PREPARED BY: R. J. R. SANCHEZ	PROFESSIONAL ELECTRICAL ENGR. : R. P. MENA						
END USER: T. C. LOPEZ DEAN CEMDS	ENDORSED BY: O. B. DELOS REYES DIRECTOR PLANNING OFFICE	REC. APPROVAL: M. J. D. TEPORA VPPD CVSU	APPROVED BY: C. A. POLINGA VPASS CVSU	APPROVED BY: H. D. ROBLES PRES CVSU	PROJECT TITLE/ LOCATION: IMPROVEMENT OF OLD CEMDS BUILDING CVSU, MAIN CAMPUS	IMPLEMENTING AGENCY CAVITE STATE UNIVERSITY	SHT NO: E - 6

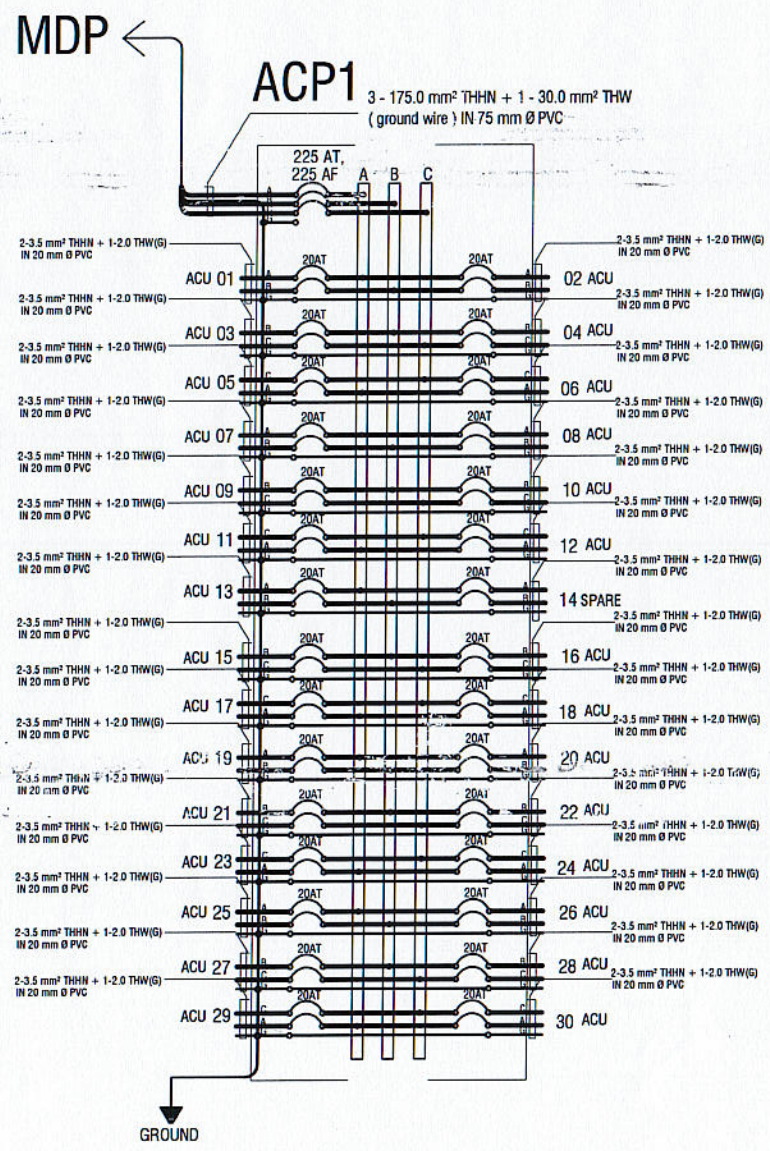


**ELECTRICAL LAYOUT (CONVENIENCE OUTLET)
GROUND FLOOR
OF OLD CEMDS BUILDING**

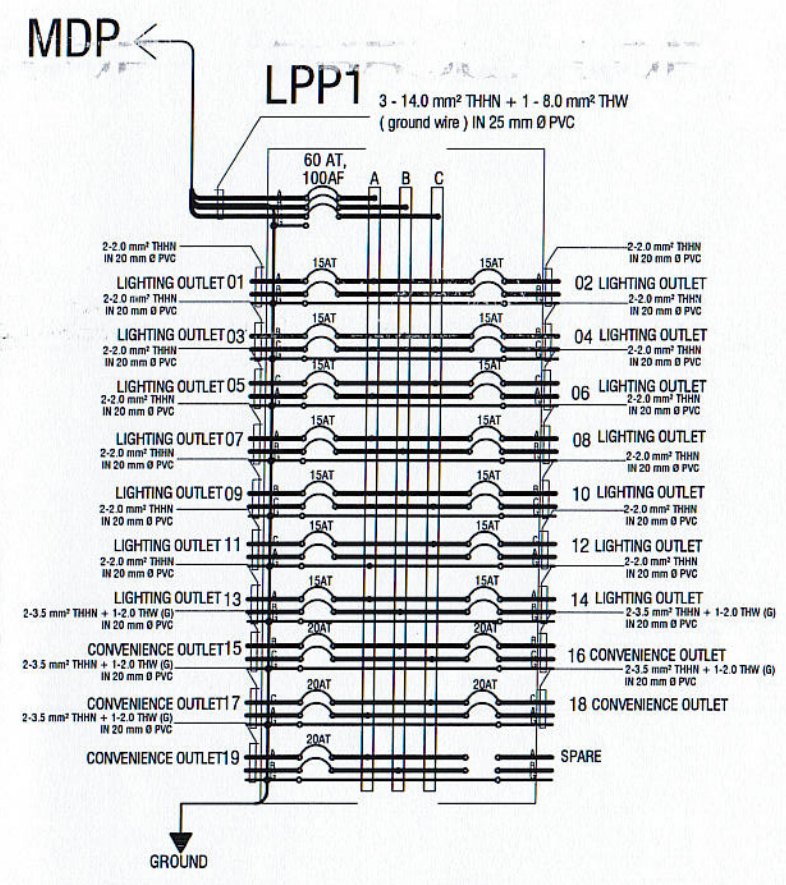
1
E 7 SCALE

1: 300 M.

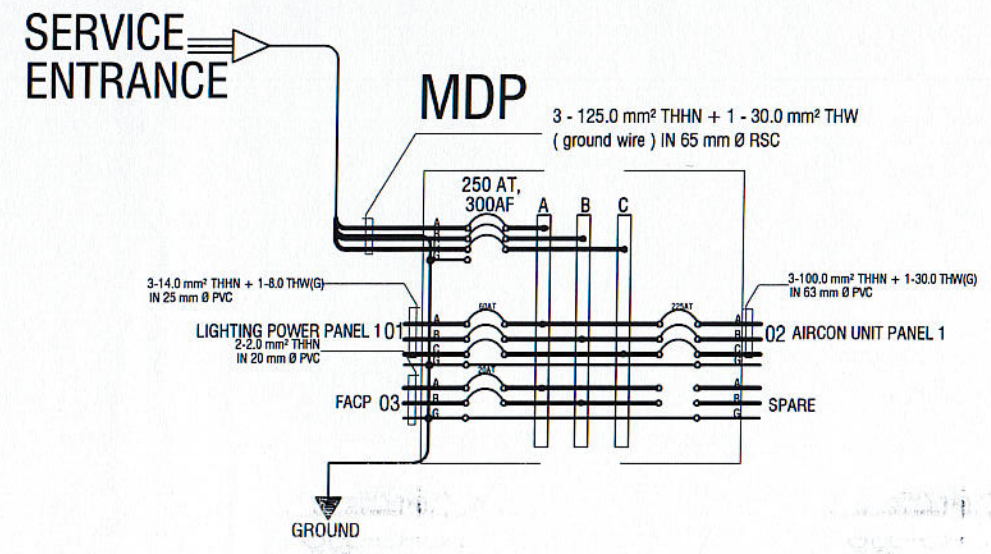
PREPARED BY: R. J. R. SANCHEZ		PROFESSIONAL ELECTRICAL ENGR. : R. P. PENA									
ENR USER: T. C. LOPEZ DEAN CEMDS		ENDORSED BY: O. B. DELOS REYES DIRECTOR PLANNING OFFICE		REC. APPROVAL: M. J. D. TEPORA VPPD CVSU		APPROVED BY: C. A. PUNGA VPASS CVSU		APPROVED BY: H. D. ROBLES PRES CVSU		PROJECT TITLE/ LOCATION: IMPROVEMENT OF OLD CEMDS BUILDING CVSU, MAIN CAMPUS	
IMPLEMENTING AGENCY: CAVITE STATE UNIVERSITY								SHT NO: E - 7			



1 PANEL BOARD DETAILS
 SCALE NTS

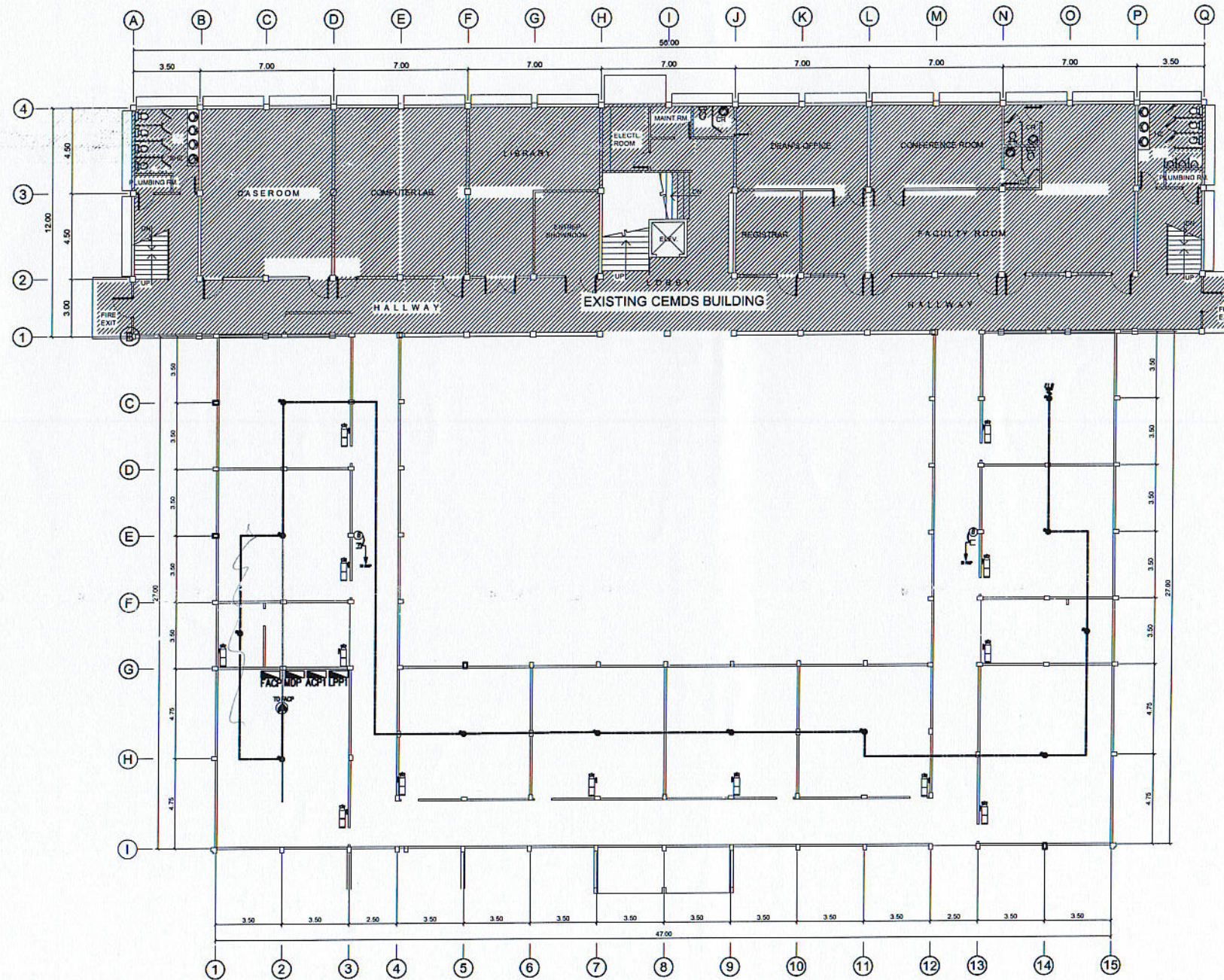


2 PANEL BOARD DETAILS
 SCALE NTS



3 PANEL BOARD DETAILS
 SCALE NTS

PREPARED BY: R. R. SANCHEZ	PROFESSIONAL ELECTRICAL ENGR. : R. R. SANCHEZ	REC. APPROVAL: C. A. POLINGA VPASS CVSU		APPROVED BY: H. D. ROBLES PRES CVSU	PROJECT TITLE/ LOCATION: IMPROVEMENT OF OLD CEMDS BUILDING CVSU, MAIN CAMPUS	IMPLEMENTING AGENCY: CAVITE STATE UNIVERSITY	SHT NO.: E-9
END USER: T. C. LOPEZ DEAN CEMDS	ENDORSED BY: B. DE LOS REYES DIRECTOR PLANNING OFFICE	M. J. D. TEFORA VPPD CVSU					



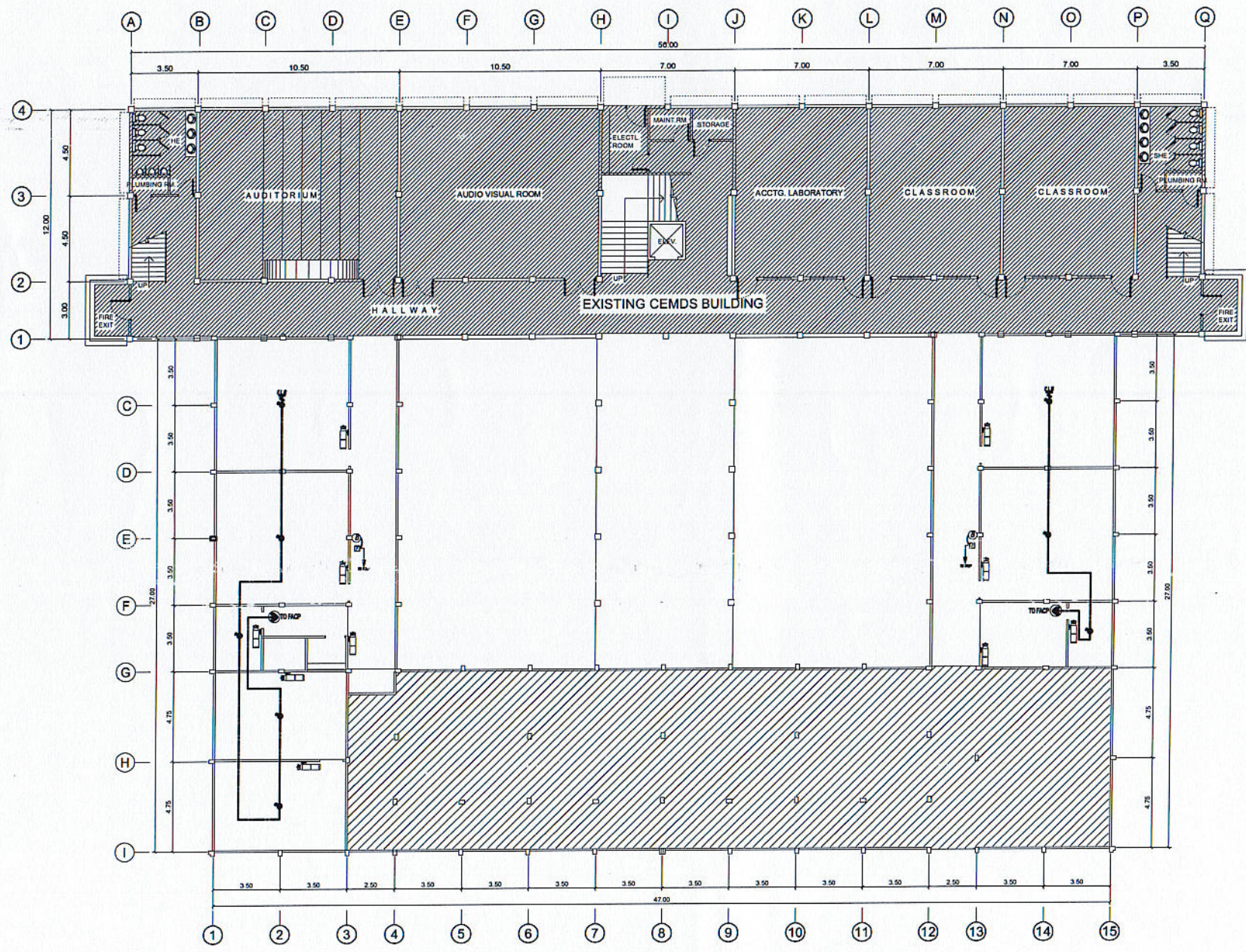
**FIRE ALARM SYSTEM RISER DIAGRAM (FDAS)
MAIN FLOOR
OF OLD CEMDS BUILDING**

1
M 1

SCALE

1:300 M.

PREPARED BY: R. J. R. SANCHEZ	PROFESSIONAL ELECTRICAL ENGR. : R. P. PENA							
END USER: T. C. LOPEZ DEAN CEMDS	ENDORSED BY: O. B. DELOS REYES DIRECTOR PLANNING OFFICE	REC. APPROVAL: J. M. M. ESCOBAR VPPD CVSU	APPROVED BY: C. A. POLINGA VPASS CVSU	APPROVED BY: H. D. ROBLES PRES CVSU	PROJECT TITLE/ LOCATION: IMPROVEMENT OF OLD CEMDS BUILDING CVSU, MAIN CAMPUS	IMPLEMENTING AGENCY: CAVITE STATE UNIVERSITY	SHT NO: M - 1	



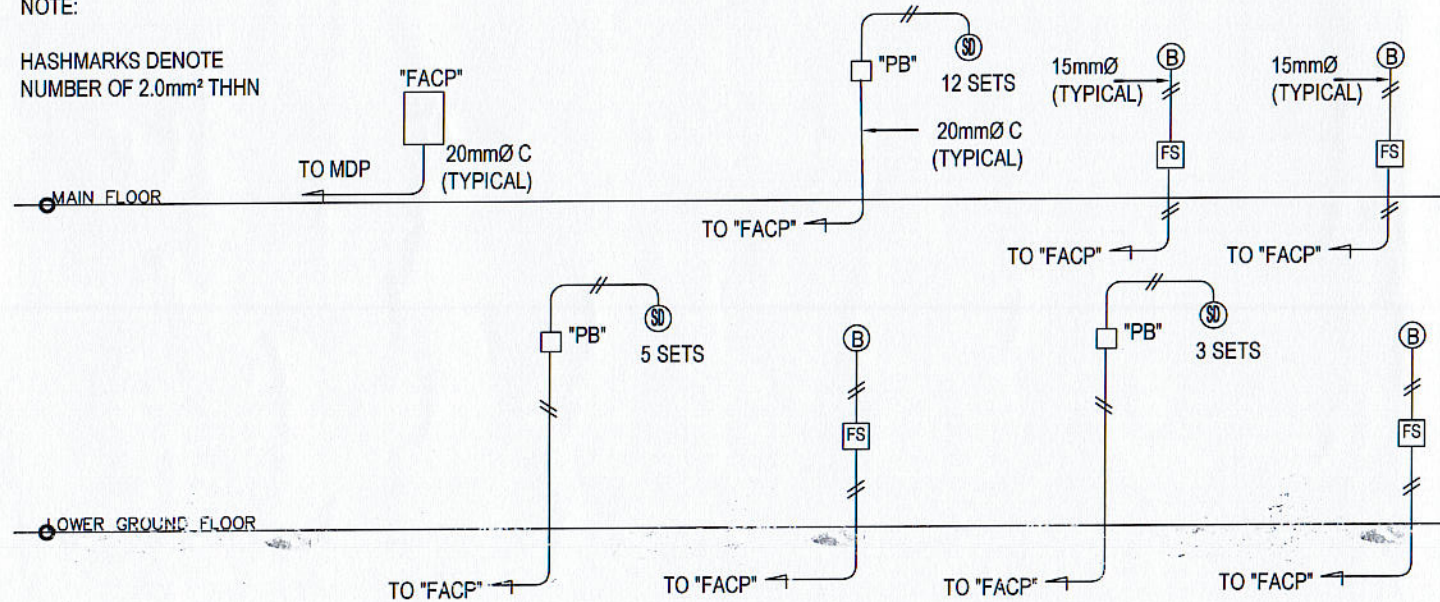
**FIRE ALARM SYSTEM RISER DIAGRAM (FDAS)
GROUND FLOOR
OF OLD CEMDS BUILDING**

1
M2

SCALE 1:300 M.

PREPARED BY: R. J. R. SANCHEZ	PROFESSIONAL ELECTRICAL ENGR.: R. P. PERA						
END USER: T. C. LOPEZ DEAN CEMDS	ENDORSED BY: O. B. DELOS REYES DIRECTOR PLANNING OFFICE	REC. APPROVAL: M. J. D. TEPORA VPPD CVSU	APPROVED BY: C. A. POLINGA VPASS CVSU	APPROVED BY: H. D. ROBLES PRES CVSU	PROJECT TITLE/LOCATION: IMPROVEMENT OF OLD CEMDS BUILDING CVSU, MAIN CAMPUS	IMPLEMENTING AGENCY CAVITE STATE UNIVERSITY	SHT NO: M - 2

NOTE:
HASHMARKS DENOTE
NUMBER OF 2.0mm² THHN



FIRE ALARM SYSTEM RISER DIAGRAM (FDAS)

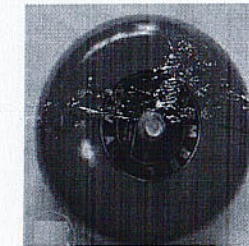
(SHOWING MANUAL STATIONS, BELLS AND SMOKE DETECTORS)

1
E 2

SCALE 1: 300 M.



SMOKE DETECTOR
NOT TO SCALE



FIRE ALARM BELL
NOT TO SCALE



FIRE ALARM MANUAL STATION (FS)
NOT TO SCALE

LEGEND & SYMBOLS:

SYMBOL	DESCRIPTIONS
	SMOKE DETECTOR
	FIRE ALARM MANUAL STATION
	FIRE ALARM BELL OUTLET
	HOMERUN TO FACP
	END OF LINE RESISTOR - ELR
	FIRE ALARM CONTROL PANEL
	2-2.0mm ² , THHN IN 15mmØ C.

PREPARED BY: R. J. R. SANCHEZ	PROFESSIONAL ELECTRICAL ENGR. : 						
END USER: T. C. LOPEZ DEAN CEMDS	ENDORSED BY: O. S. DELOS REYES DIRECTOR PLANNING OFFICE	REC. APPROVAL: M. J. D. TEPORA VPPD CVSU	APPROVED BY: A. POLINGA VPASS CVSU	APPROVED BY: D. ROBLES PRES CVSU	PROJECT TITLE/ LOCATION: IMPROVEMENT OF OLD CEMDS BUILDING CVSU, MAIN CAMPUS	IMPLEMENTING AGENCY CAVITE STATE UNIVERSITY	SHT NO: M - 3