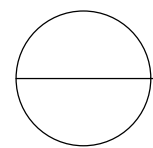
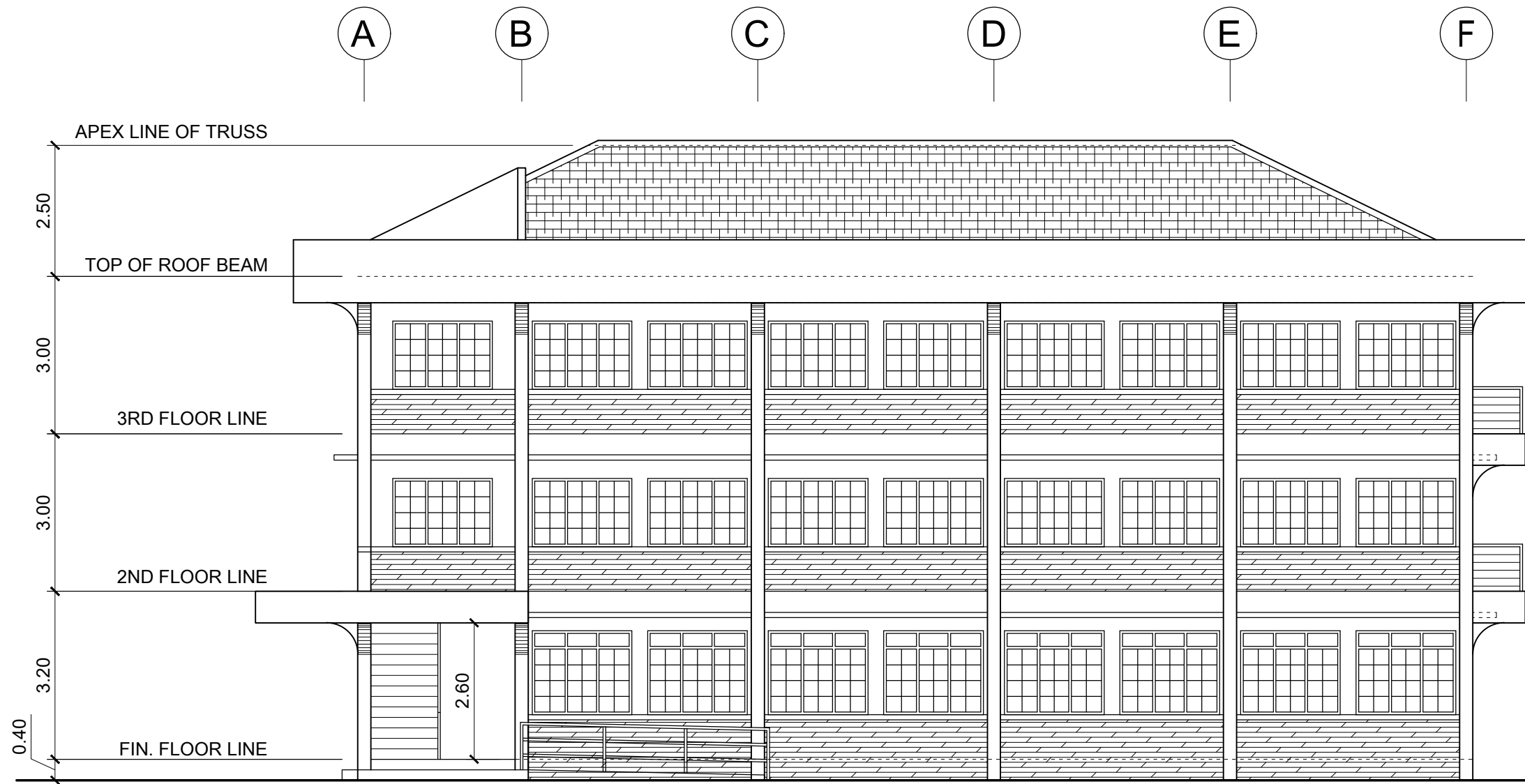



**SECOND FLOOR PLAN**  
 SCALE 1 : 100 MTS.

**BID BULLETIN**  
**CONSTRUCTION OF CVMBS**  
**ACADEMIC BUILDING**

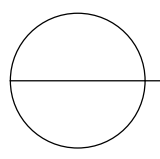
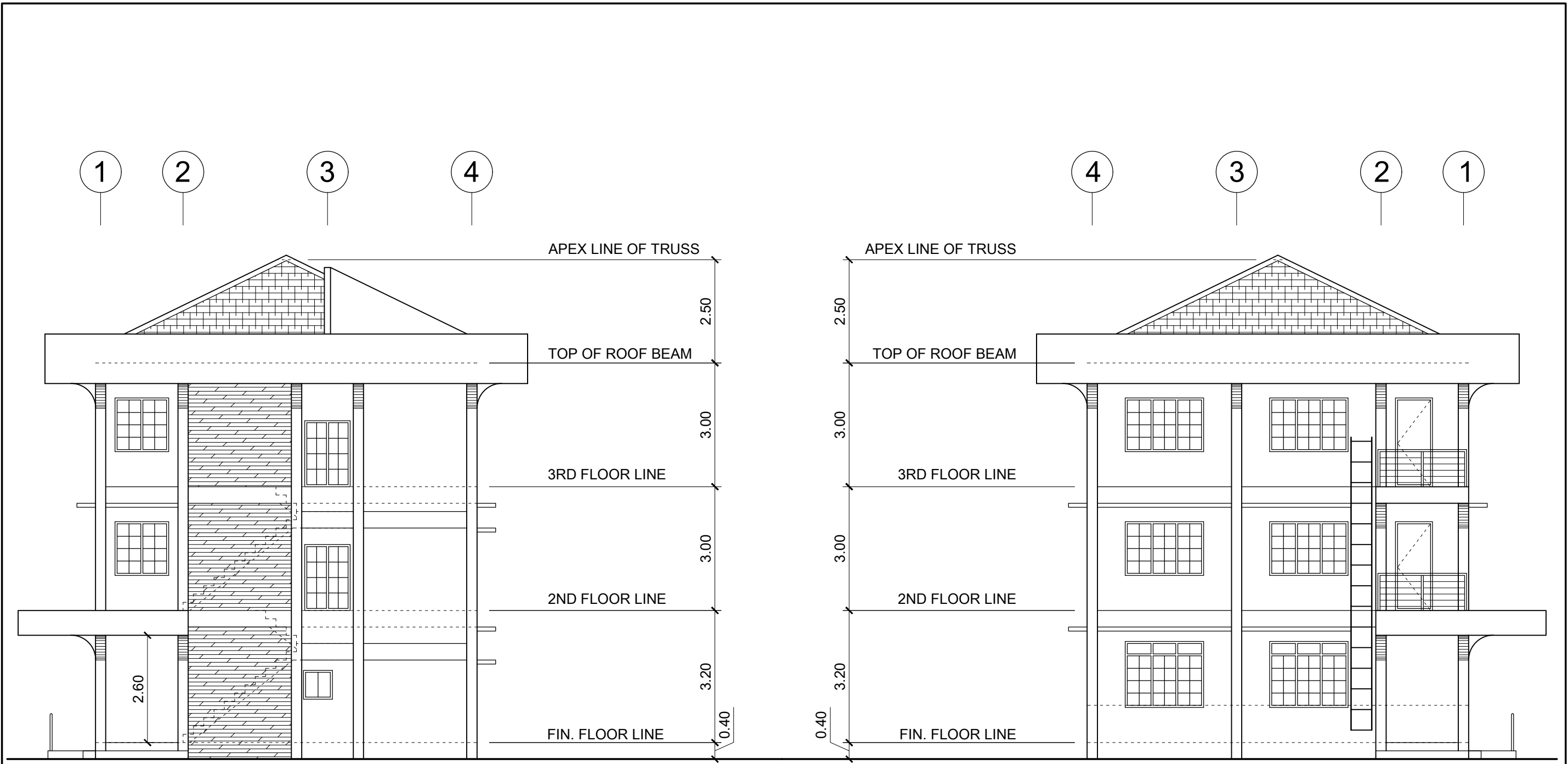


**FRONT ELEVATION**

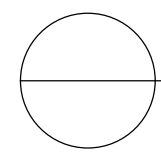
SCALE 1 : 100 MTS.

**BID BULLETIN**

CONSTRUCTION OF CVMBS  
ACADEMIC BUILDING

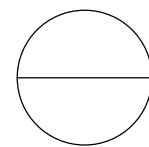
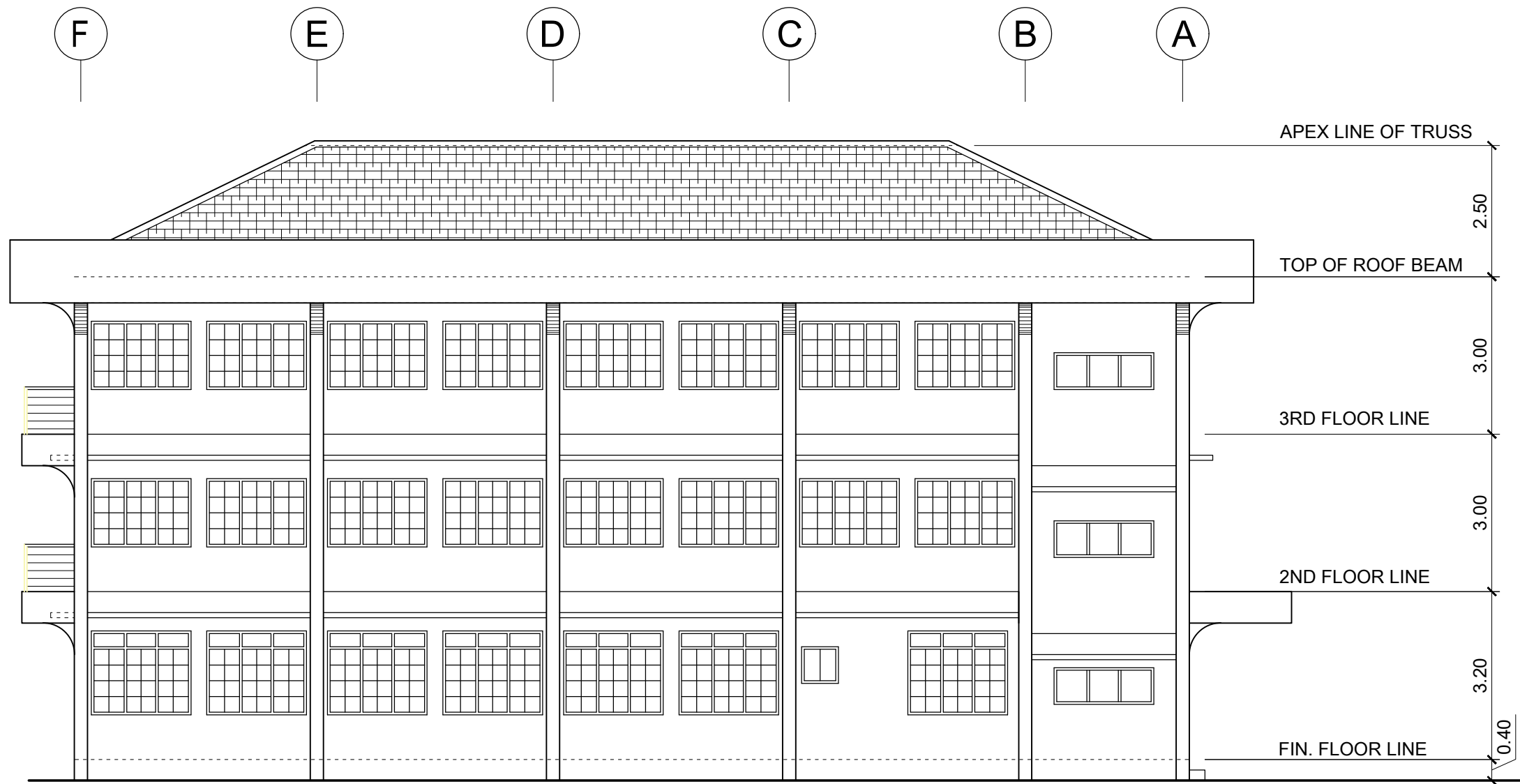


**LEFT SIDE ELEVATION**  
SCALE 1 : 100 MTS.



**RIGHT SIDE ELEVATION**  
SCALE 1 : 100 MTS.

**BID BULLETIN**  
**CONSTRUCTION OF CVMBS**  
**ACADEMIC BUILDING**

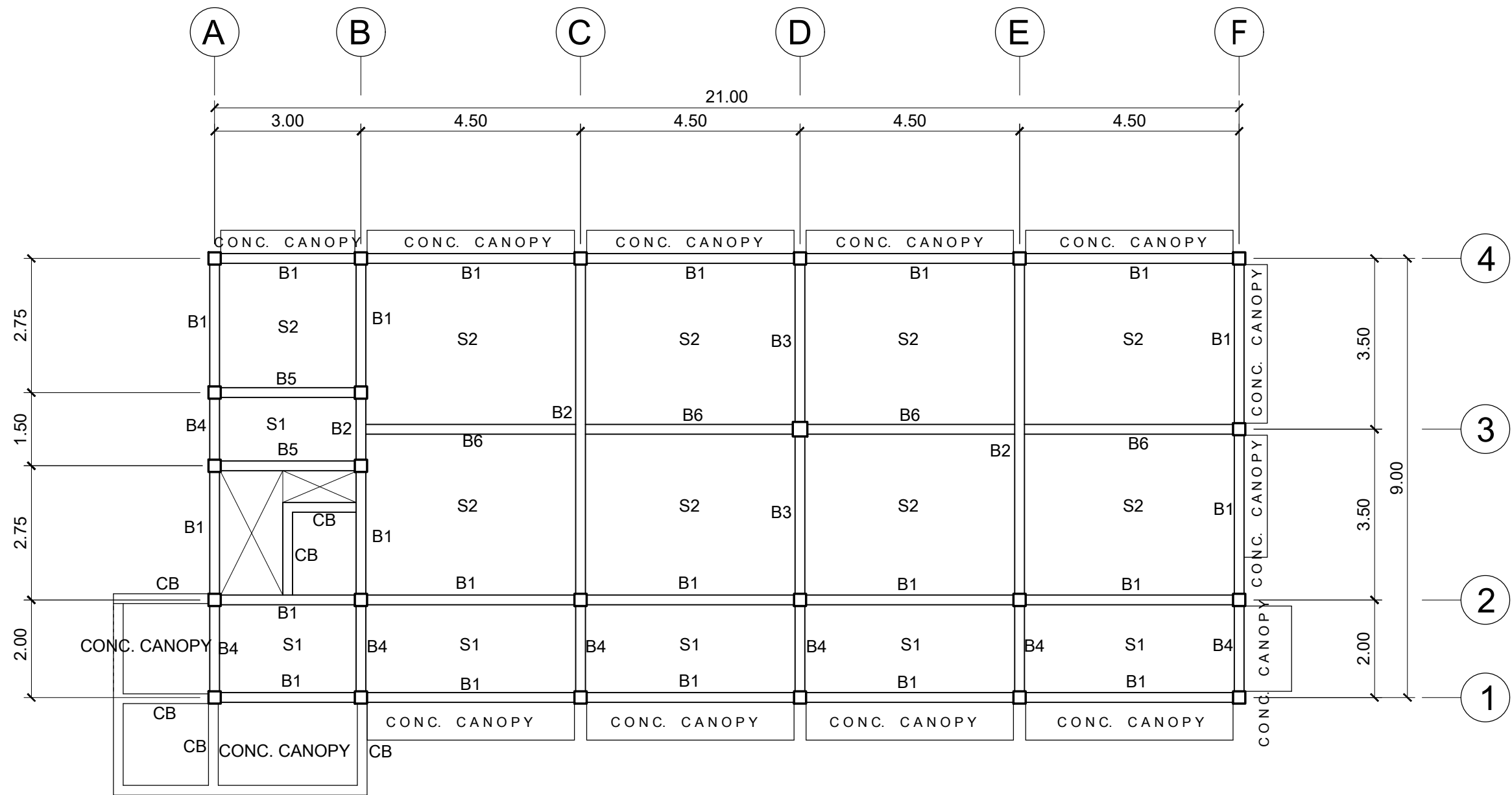


**REAR ELEVATION**

SCALE 1 : 100 MTS.

**BID BULLETIN**

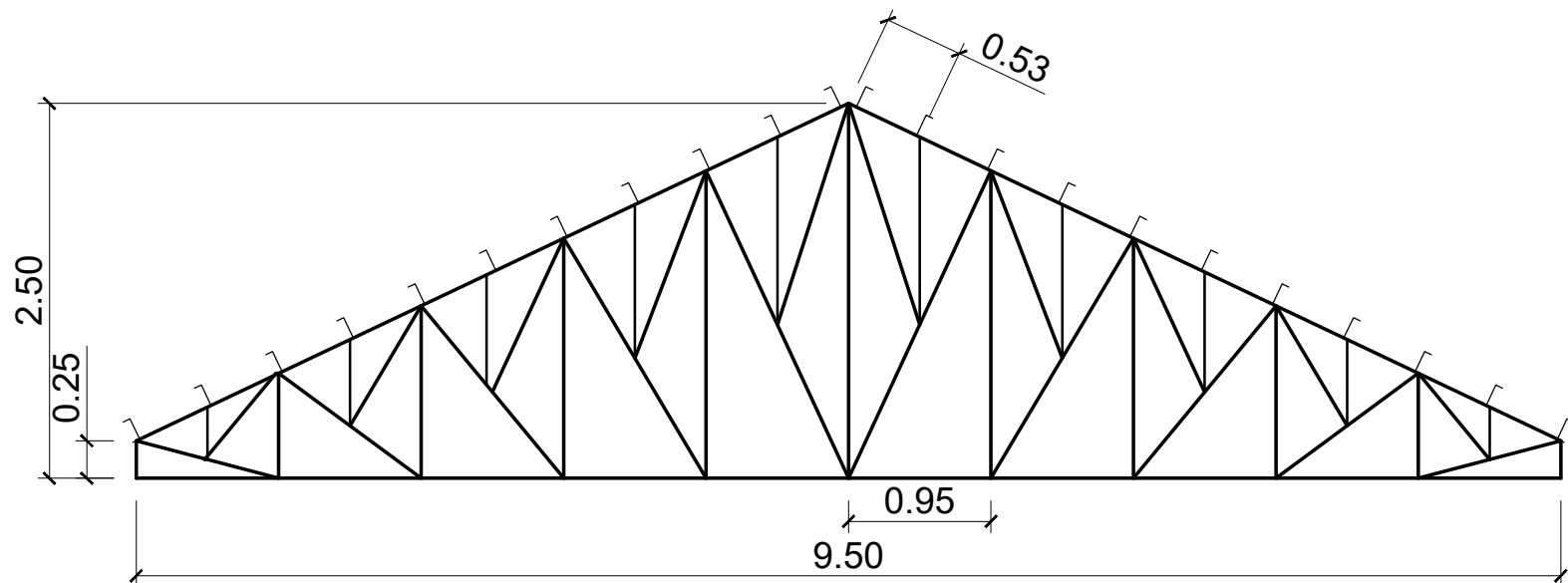
**CONSTRUCTION OF CVMBS  
ACADEMIC BUILDING**



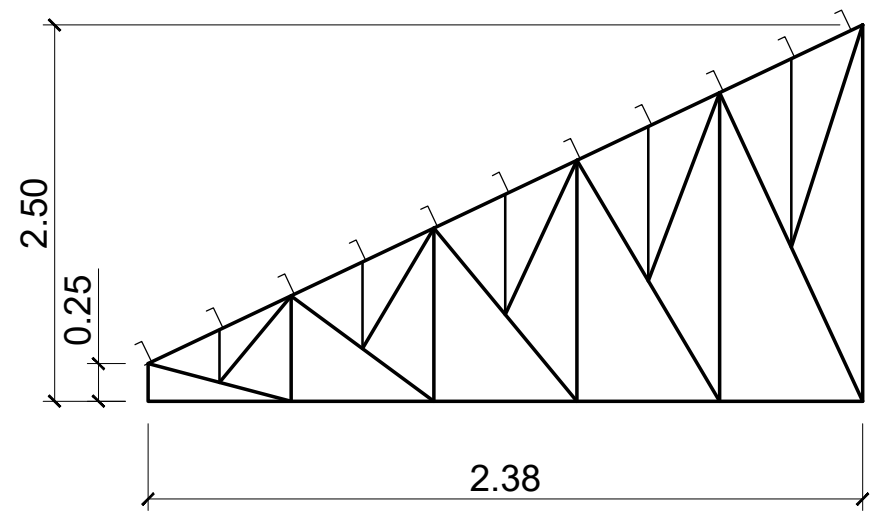

**2ND FLOOR BEAM PLAN**  
 SCALE 1 : 100 MTS.

## BID BULLETIN

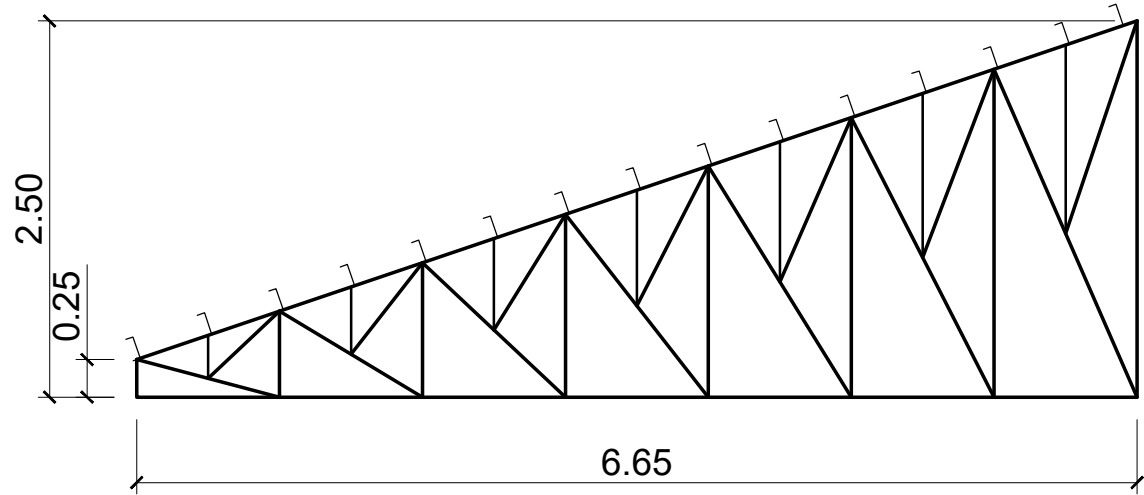
CONSTRUCTION OF CVMBS  
 ACADEMIC BUILDING



TRUSS 1



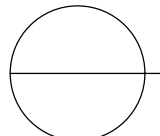
HT 1



HT 2

NOTE:

- USE THE FOLLOWING:
- 2 - 50mm x 50mm x 6mm ANGULAR BAR FOR TOP CHORDS
  - 2 - 50mm x 50mm x 6mm ANGULAR BAR FOR BOTTOM CHORDS
  - 2 - 50mm x 50mm x 6mm ANGULAR BAR FOR KING POSTS
  - 2 - 38mm x 38mm x 6mm ANGULAR BAR FOR WEB MEMBERS
  - 6mm THICK GUSSET PLATES ON ALL JOINTS
  - 16mm Ø ROUND BAR CROSS BRACING W/ TURN BUCKLES
  - 12mm Ø ROUND BAR SAG ROD AT MIDDLE THIRD
  - 50mm x 150mm x 1.5mm CEE PURLINS SPACED @ 0.53 M. O.C.
  - 12mm THICK BASE PLATES
  - 16mm Ø ANCHOR BOLTS

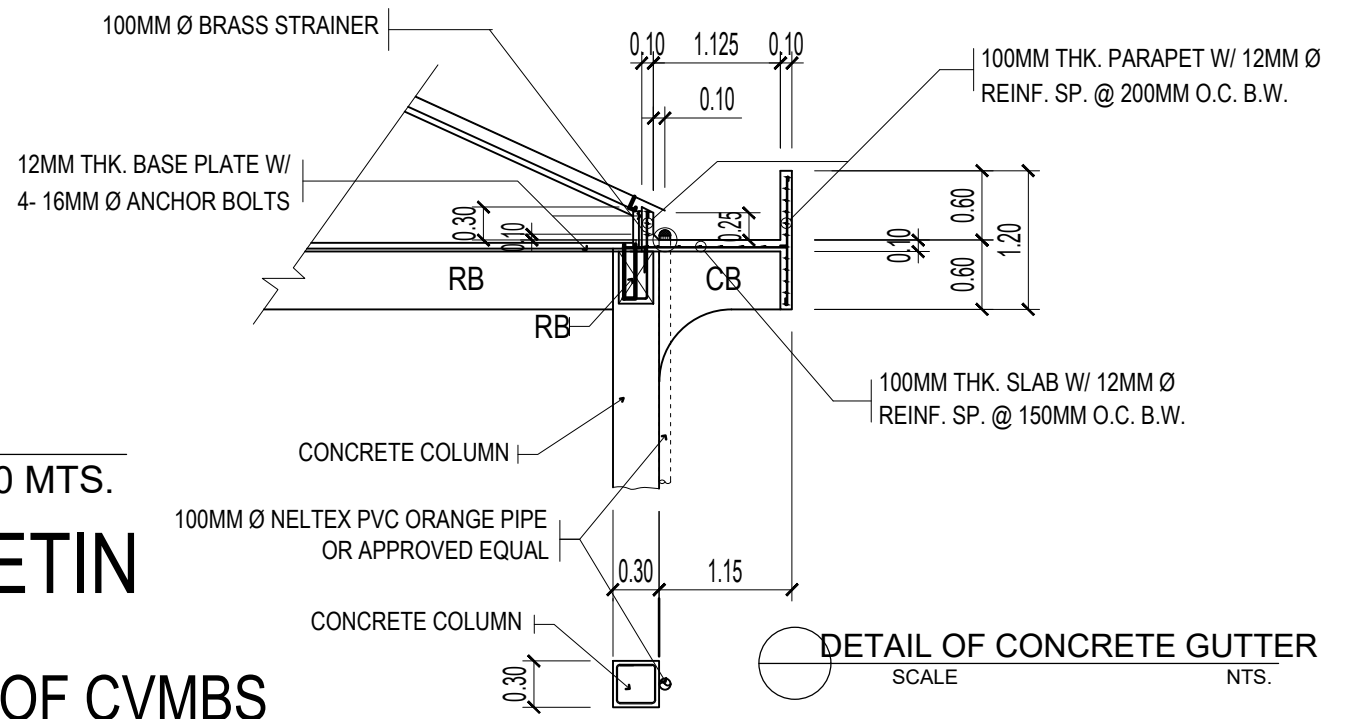


TRUSS DIAGRAM

SCALE 1 : 50 MTS.

BID BULLETIN

CONSTRUCTION OF CVMBS ACADEMIC BUILDING



DETAIL OF CONCRETE GUTTER SCALE NTS.