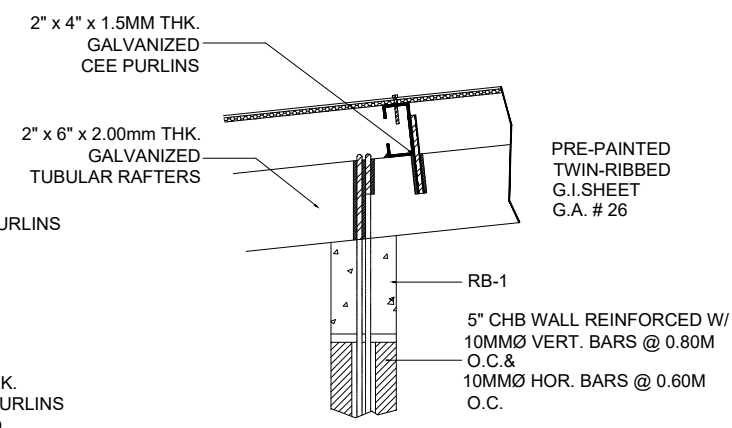
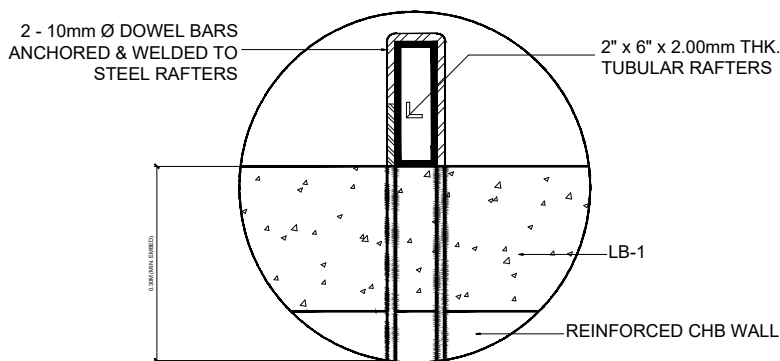


- 12MMØ ROUND BAR SAG ROD
- 2" x 4" x 1.5MM THK. GALVANIZED CEE PURLINS
- 2" x 6" x 2.00mm THK. GALVANIZED TUBULAR RAFTERS
- 2" x 4" x 1.5MM THK. GALVANIZED CEE PURLINS @ 0.60M O.C.
- 2 - 2" x 6" x 1.5MM THK. GALVANIZED CEE PURLINS FOR FASCIA BOARD

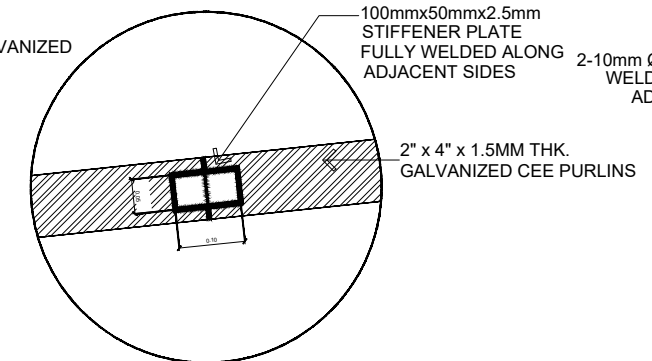


SPOT DETAIL 1
SCALE: N.T.S.

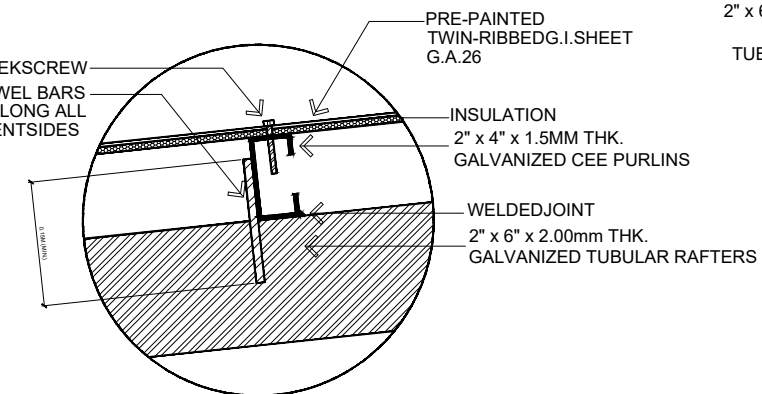
ROOF FRAMING PLAN
SCALE: 1:75 MTS



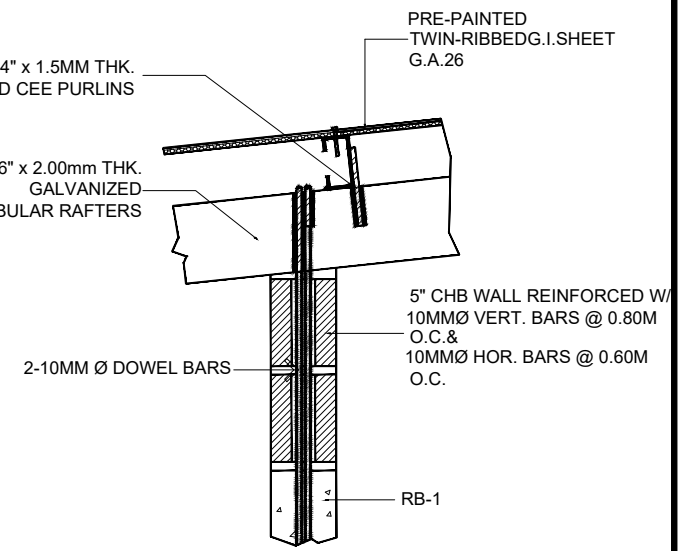
RAFTER TO BEAM CONNECTION
SCALE: N.T.S.



SPLICING DETAIL
SCALE: N.T.S.



PURLIN TO RAFTER CONNECTION
SCALE: N.T.S.



SPOT DETAIL 2
SCALE: N.T.S.