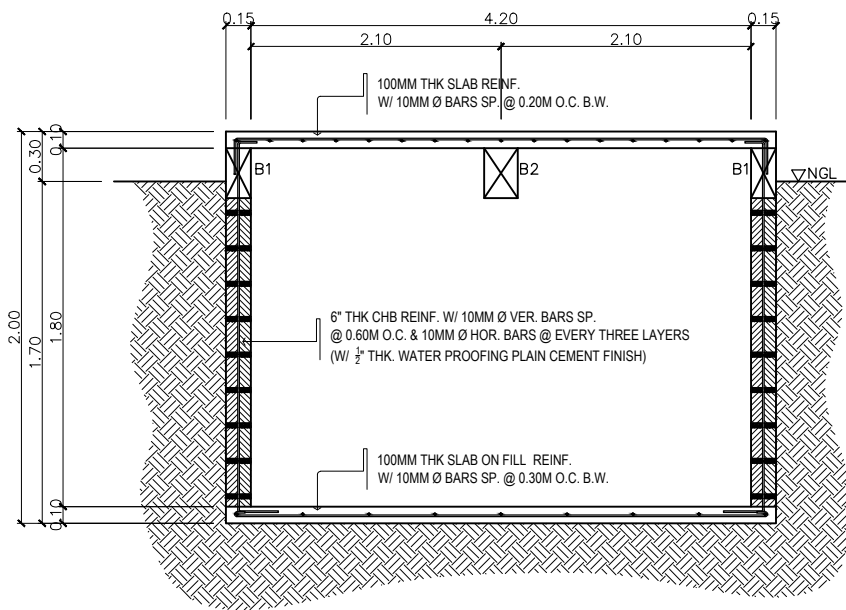
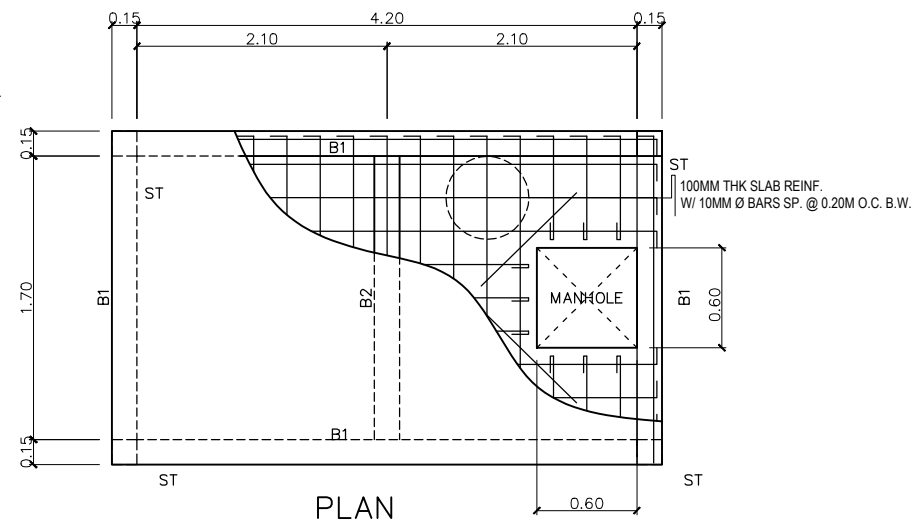


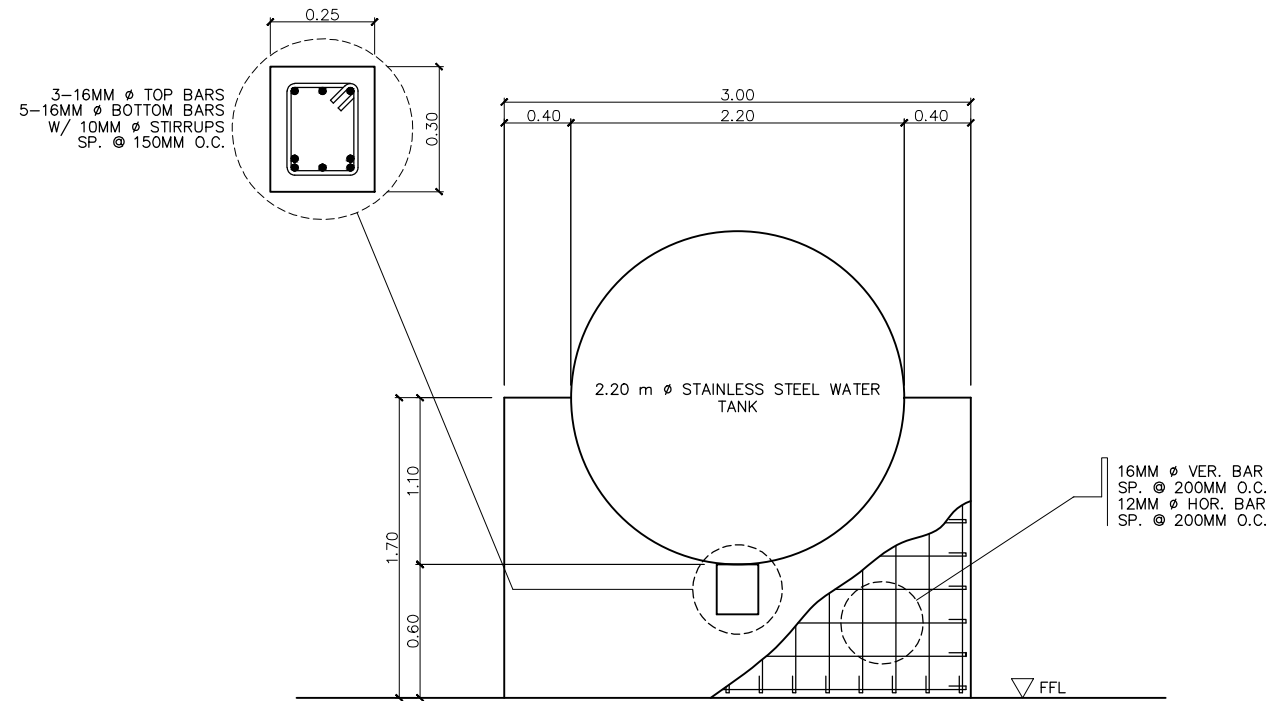
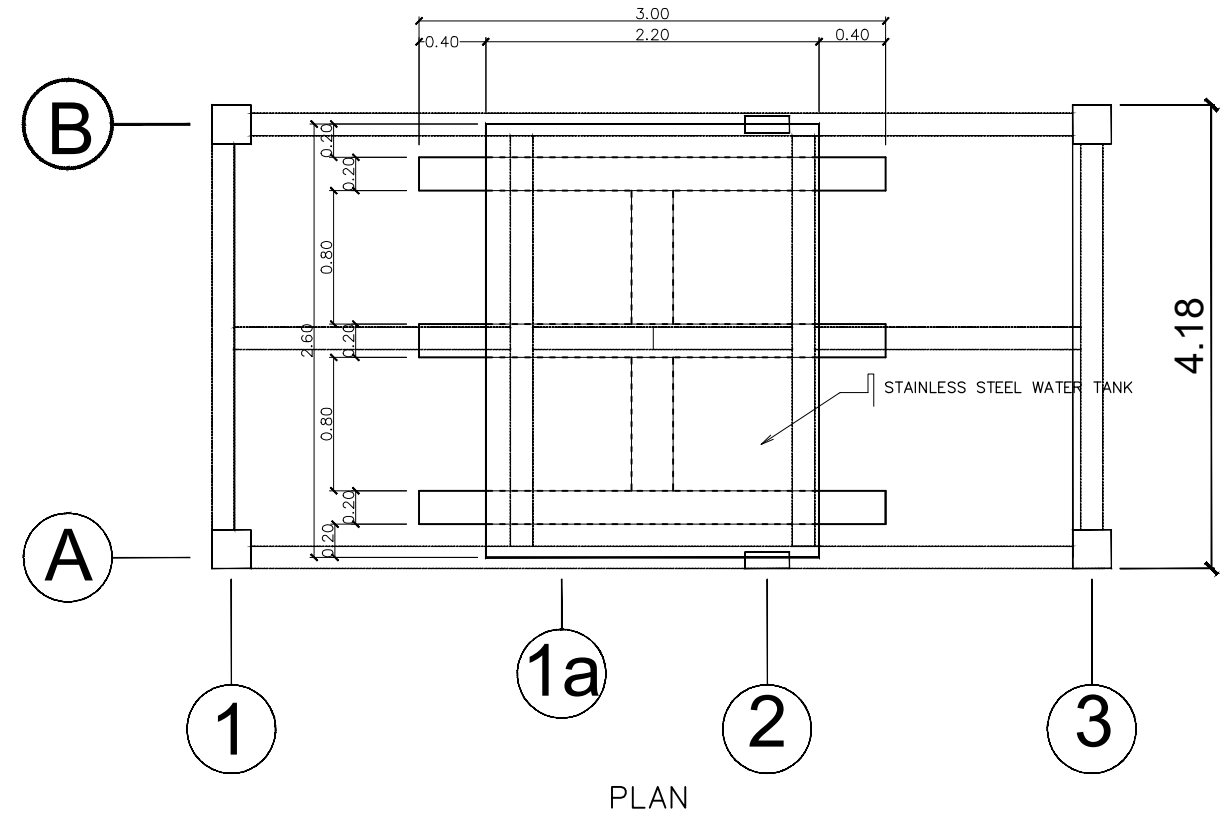
$\phi 0.15$
 $\phi 0.15$
 4- 12mm ϕ VERTICAL BARS W/
 10mm ϕ TIES @ 2-50mm, 4-75mm
 6-100mm, 8-150MM REST @ 200mm O.C.
 ST

$\phi 0.15$
 $\phi 0.30$
 2- 12mm ϕ TOP BARS &
 2- 12mm ϕ BOTTOM BARS
 W/ 10mm ϕ STIRRUPS
 SP. @ 200mm O.C.
 B1

$\phi 0.20$
 $\phi 0.30$
 3- 12mm ϕ TOP BARS &
 4- 12mm ϕ BOTTOM BARS
 W/ 10mm ϕ TIES @ 2-50mm, 4-75mm
 6-100mm, 8-150MM REST @ 200mm O.C.
 B2



1
 S 9
 SCALE N.T.S.
 DETAIL OF CISTERN TANK



2
 S 9
 SCALE N.T.S.
 DETAIL OF WATER TANK SADDLE