

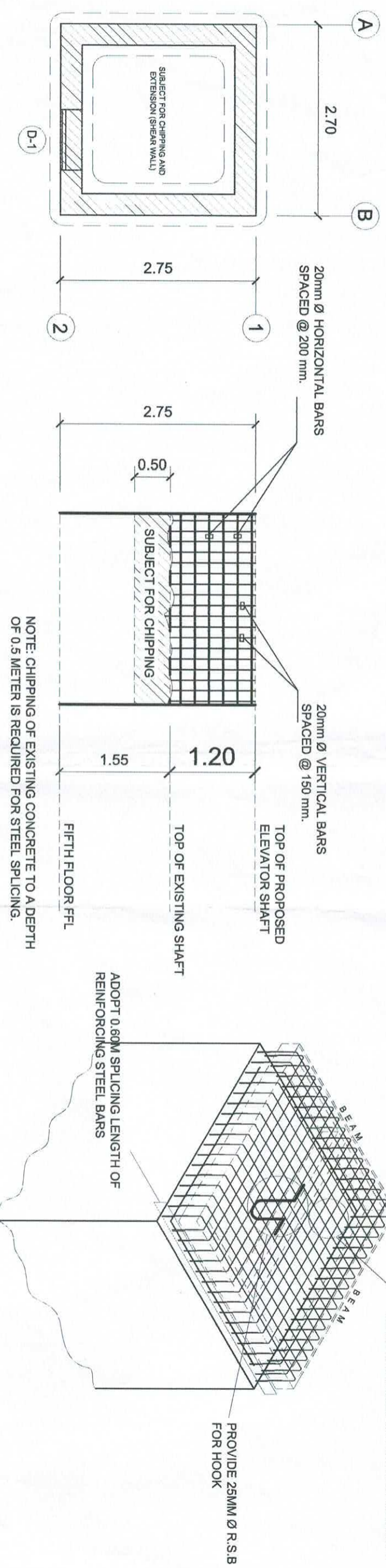
NOTE: CHIPPING OF EXISTING CONCRETE TO A DEPTH OF 0.5 METER IS REQUIRED FOR STEEL SPLICING.

ELEVATOR PLAN VIEW

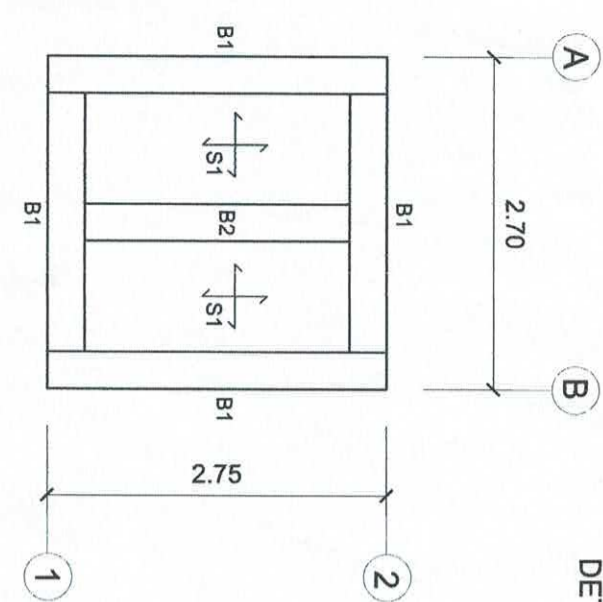
1/1 SCALE

1:60 MTS.

 PREPARED BY: L. M. ARELLANO IPD / OVPD	END USER: W. C. BUCLATIN DIRECTOR / CEIT	REVIEWED BY: E. N. RODRIGOS ARCHITECT	ENDORSED BY: O. B. DELLOS REYES DIRECTOR / PLANNING AND DEVT. OFFICE	REC. APPROVAL: M. J. D. TEJERA VPPD / CVSU	APPROVED BY: H. D. ROBLES PRES / CVSU	PROJECT TITLE/ LOCATION: REPAIR AND IMPROVEMENT OF DIT ELEVATOR SHAFT MAIN CAMPUS	IMPLEMENTING AGENCY: CAVITE STATE UNIVERSITY	SHT NO.: A - 1
---	--	---	--	--	---	---	---	-------------------



NOTE: CHIPPING OF EXISTING CONCRETE TO A DEPTH OF 0.5 METER IS REQUIRED FOR STEEL SPLICING.



NOTE: SEE DETAIL B FOR SLAB REINFORCEMENT

SECTION	END - SECT BARS	MID - SECT BARS	SPACING OF STIRRUPS
B - 1	 5 - 20 mm Ø D.R.B. 2 - 10 mm Ø D.R.B. 3 - 20 mm Ø D.R.B.	 3 - 25 mm Ø D.R.B. 2 - 10 mm Ø D.R.B. 5 - 25 mm Ø D.R.B.	10 mm Ø D. R. B. STIRRUPS SPACED 2 - 50mm, 4 - 75mm, 4 - 100mm REST @ 200mm
B - 2	 3 - 20 mm Ø D.R.B. 2 - 10 mm Ø D.R.B. 2 - 20 mm Ø D.R.B.	 2 - 20 mm Ø D.R.B. 2 - 10 mm Ø D.R.B. 3 - 20 mm Ø D.R.B.	-DO-

SCHEDULE OF BEAMS

SLAB CONNECTION  
DETAIL B

IMPORTANT NOTE:  
FOR ELEVATOR COMPONENTS, PLEASE REFER TO THE SPECIFICATIONS PROVIDED BY THE SUPPLIER.

# 1 STRUCTURAL DETAIL OF ELEVATOR SHAFT

SCALE: 1/8" = 1'-0" (S1)

	PREPARED BY: <b>L. M. ABELLAR</b> IPU / OVP/PPD	END USER: <b>W. C. BUCLATIN</b> DIRECTOR / CEIT	REVIEWED BY: <b>L. E. ROCCELA</b> CIVIL ENGINEER	HEAD: <b>S. B. BAYOT JR.</b> PDU	ENDORSED BY: <b>O. B. DELOS REYES</b> DIRECTOR / PLANNING AND DEVT. OFFICE	REC. APPROVAL: <b>M. J. D. TEJERA</b> CVSU	APPROVED BY: <b>H. D. ROBLES</b> PRES / CVSU	PROJECT TITLE/ LOCATION: REPAIR AND IMPROVEMENT OF DIT ELEVATOR SHAFT MAIN CAMPUS / CAVITE STATE UNIVERSITY	IMPLEMENTING AGENCY: CAVITE STATE UNIVERSITY	SHT NO.: S - 1
--	---	---	--	--	--	--	--	---	---	-------------------