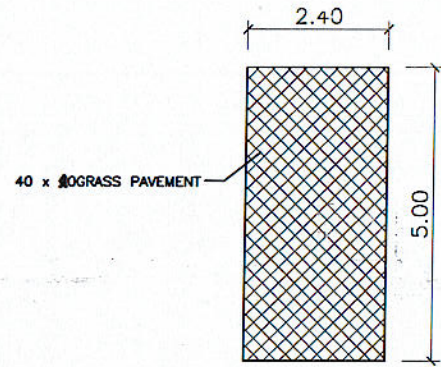
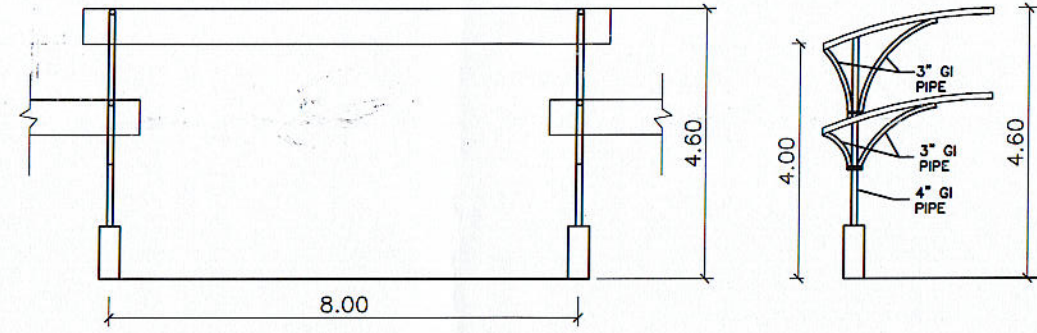


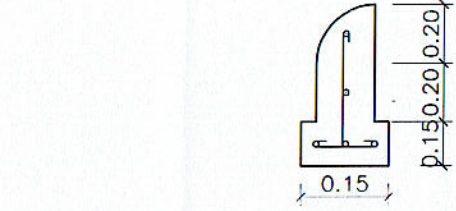
PREPARED BY:	END USER:	REVIEWED BY:	ENDORSED BY:	REC. APPROVAL:	APPROVED BY:	PROJECT TITLE/ LOCATION:	IMPLEMENTING AGENCY:	SHT NO:
R. J. PASCUAL PPU	D. R. ESCAÑO DIRECTOR PPS	E. N. RODEROS OVPPD	O. B. DELOS REYES DIRECTOR PLANNING OFFICE	M. J. D. TEPORA VPPD	C. A. POLINGA VPASS CVSU	H. D. ROBLES PRES CVSU	PROPOSED CONCRETE PARKING SPACE NEAR INANG KALIKASAN CAVITE STATE UNIVERSITY MAIN CAMPUS	CAVITE STATE UNIVERSITY A - 2



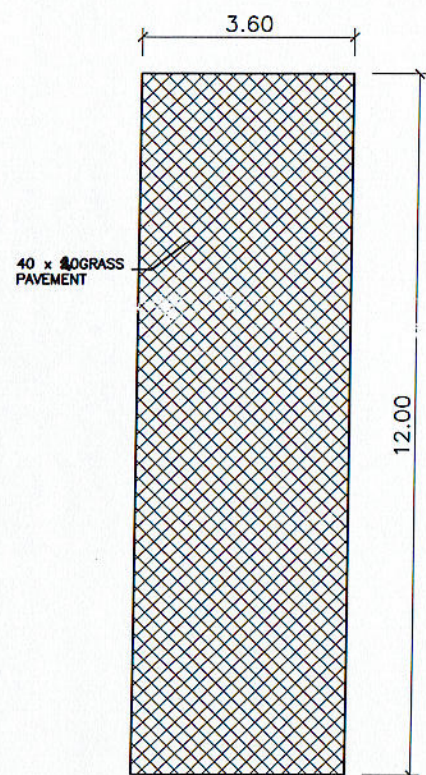
CAR PARKING DETAIL  
SCALE NTS



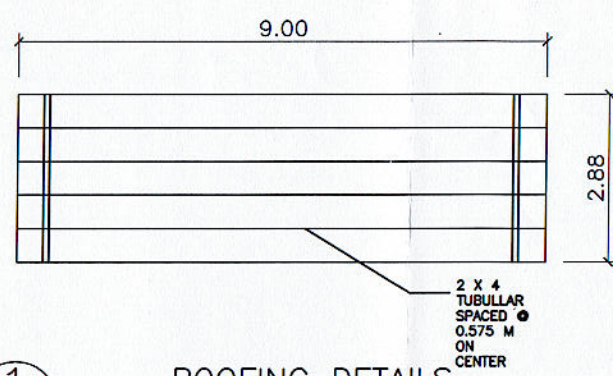
PARKING ENTRANCE DETAILS  
SCALE NTS



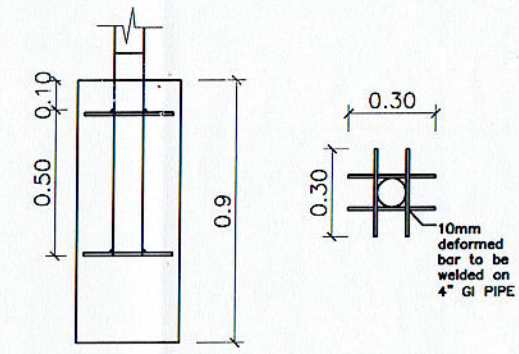
SOCALO DETAILS  
SCALE NTS



BUS PARKING DETAIL  
SCALE NTS



ROOFING DETAILS  
SCALE NTS



CONNECTION DETAILS  
SCALE NTS



PREPARED BY:	END USER:	REVIEWED BY:	ENDORSED BY:	REC. APPROVAL:	APPROVED BY:	PROJECT TITLE/ LOCATION:	IMPLEMENTING AGENCY:	SHT NO.:
R. V. PASCUAL PPU	D. R. ESCAÑO DIRECTOR PPS	E. N. RODRIGOS PPU	O. B. DELOS REYES DIRECTOR PLANNING OFFICE	M. J. D. TEPORA VPPD CVSU	C. A. POLINGA VPASS CVSU	H. D. ROBLES PRES CVSU	PROPOSED CONCRETE PARKING SPACE NEAR INANG KALIKASAN CAVITE STATE UNIVERSITY MAIN CAMPUS	CAVITE STATE UNIVERSITY A - 2