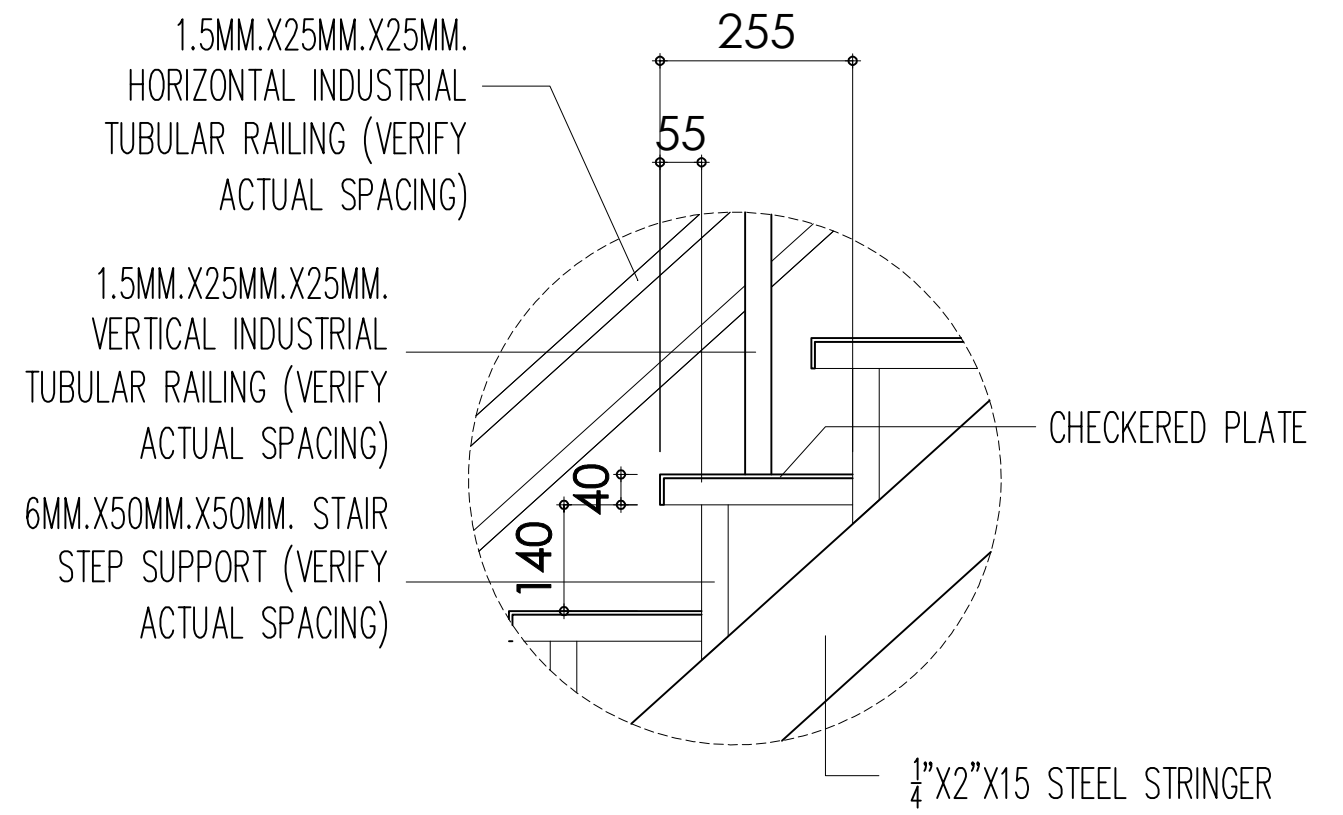
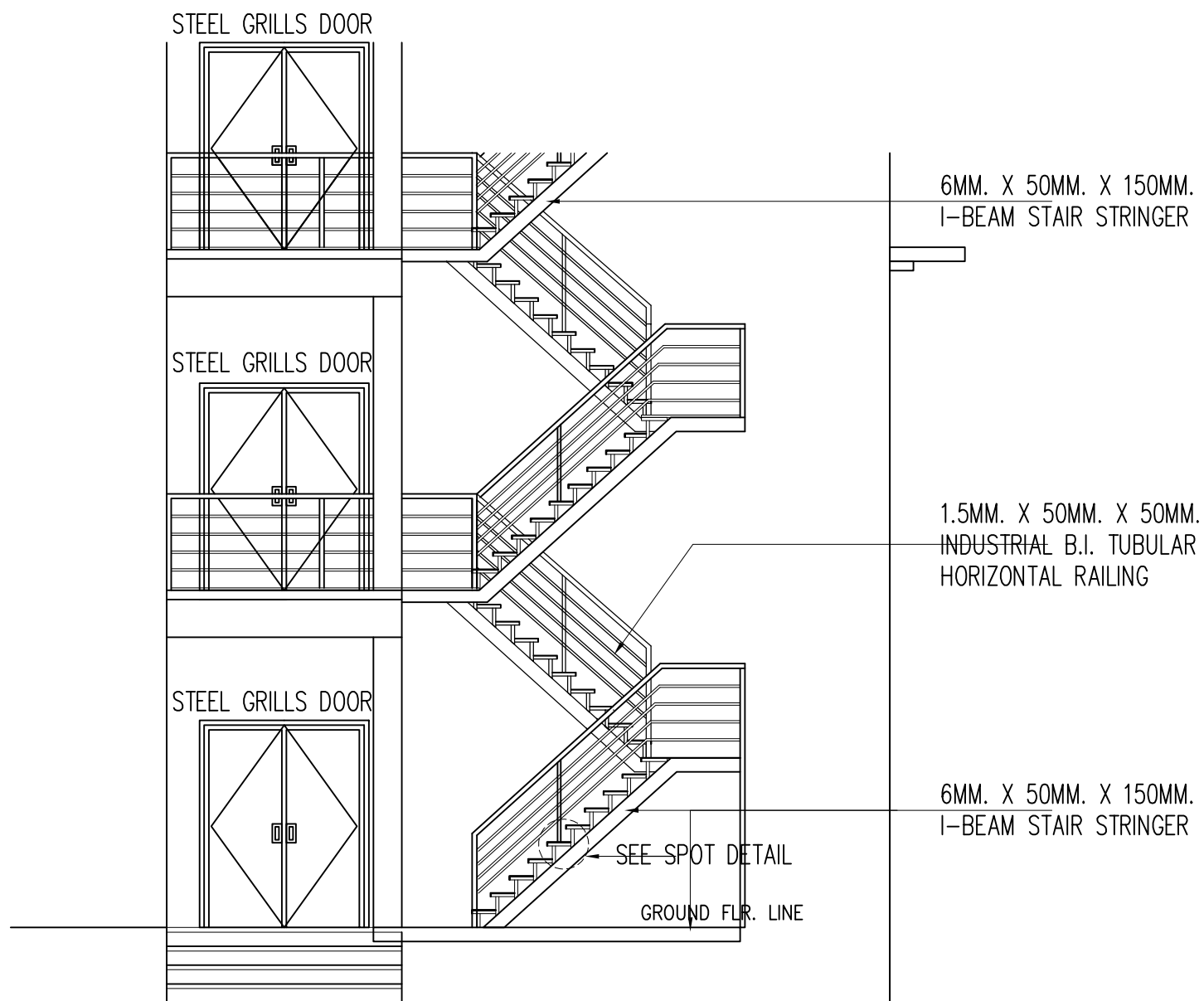


STRUC. DETAILS OF STAIRS

SCALE

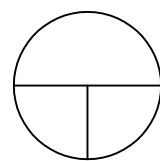
N. T. S.

BID BULLETIN NO. 01
COMPLETION OF GENERAL EDUCATION BUILDING



SPOT DETAIL

ELEVATION OF FIRE SCAPE STAIR



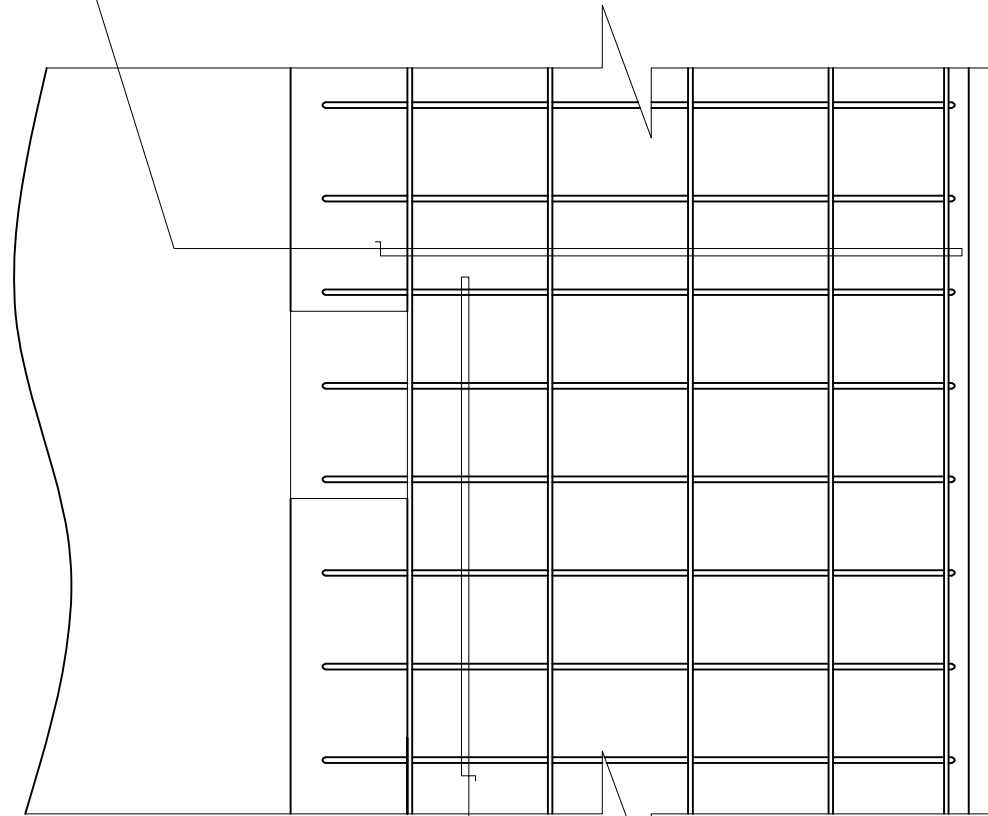
STRUC. DETAILS OF FIRE ESCAPE LADDER

SCALE

N. T. S.

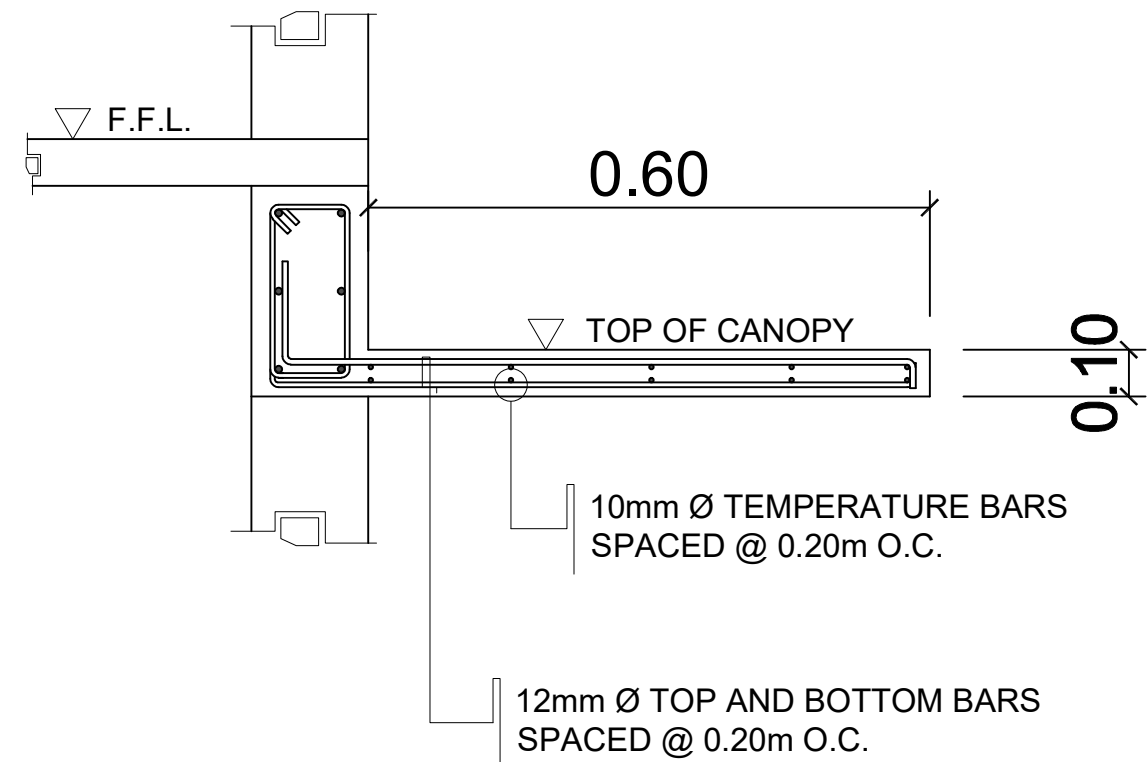
BID BULLETIN NO. 01
COMPLETION OF GENERAL EDUCATION BUILDING

10mm Ø
TEMPERATURE BARS
SPACED @ 0.30m O.C.

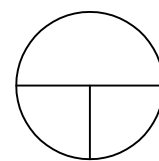


12mm Ø TOP AND BOTTOM BARS
SPACED @ 0.20m O.C.

PLAN



SECTION

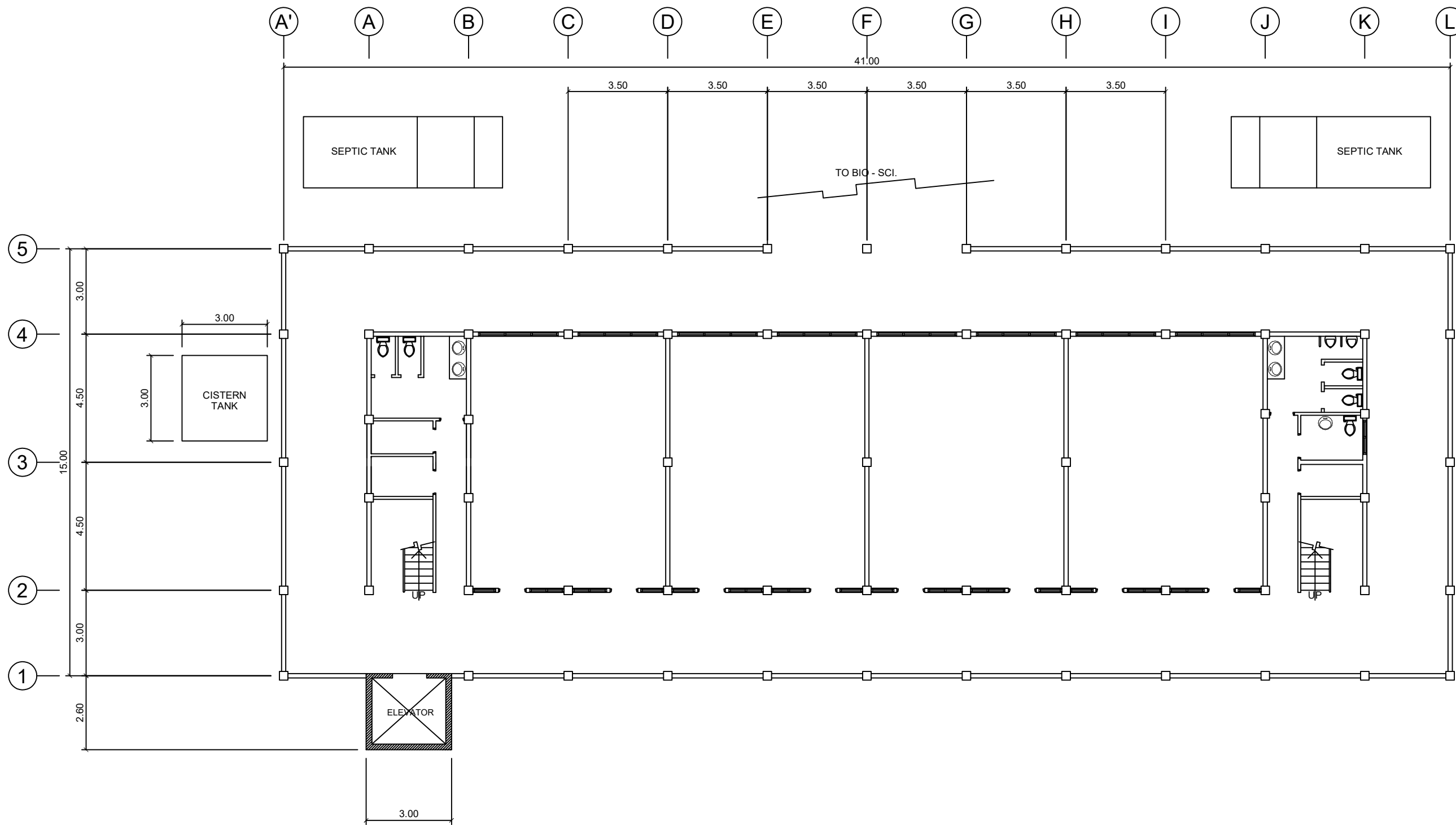


STRUC. DETAILS OF CANOPY

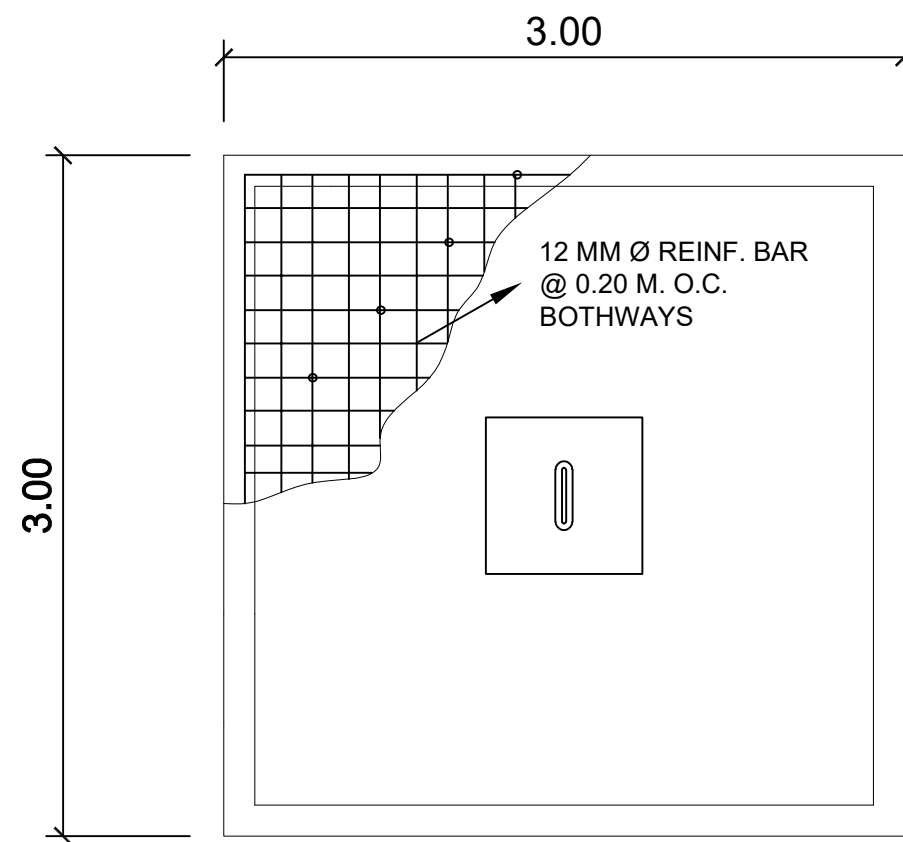
SCALE

N. T. S.

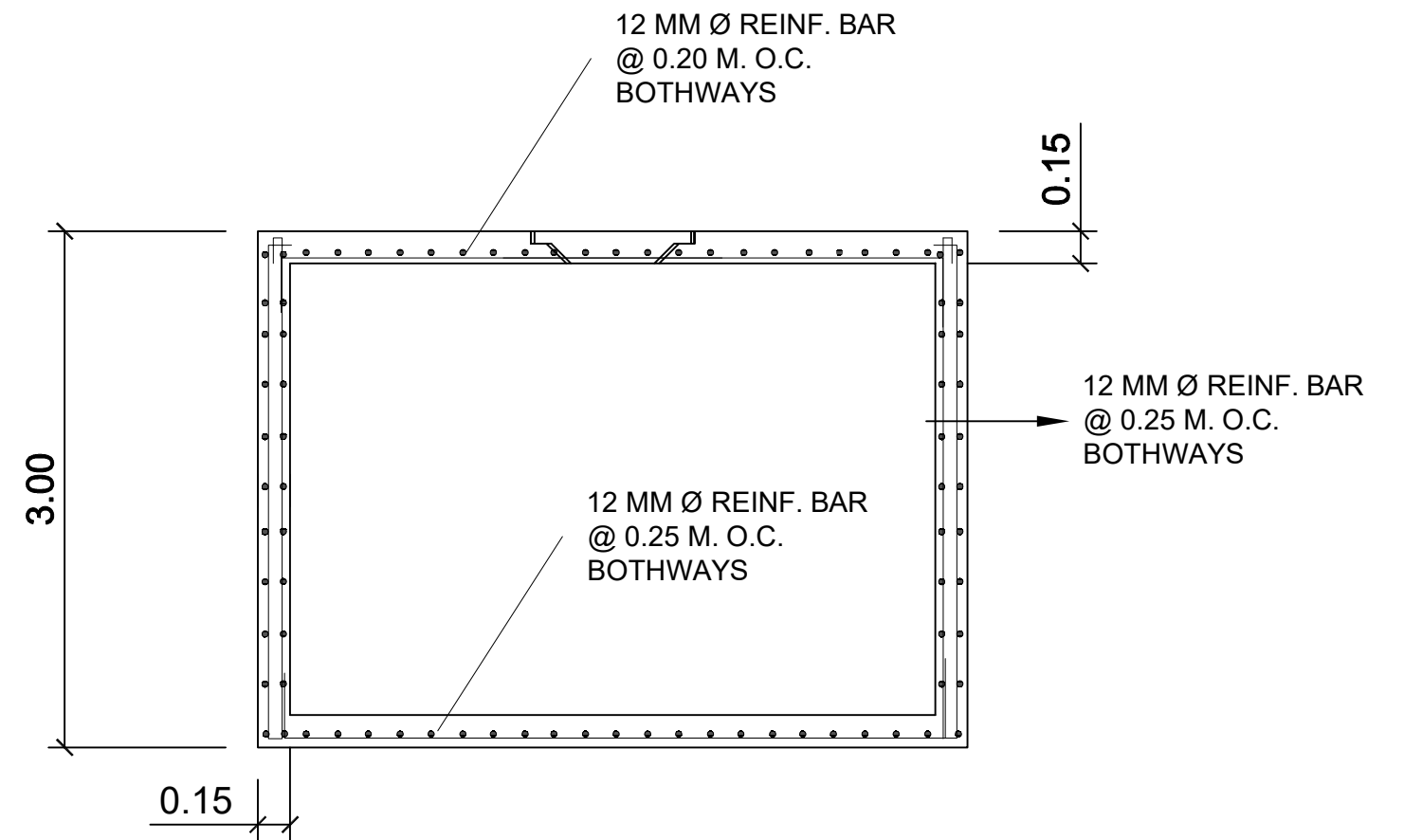
BID BULLETIN NO. 01
COMPLETION OF GENERAL EDUCATION BUILDING



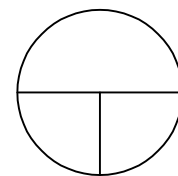
BID BULLETIN NO. 01
COMPLETION OF GENERAL EDUCATION BUILDING



PLAN



SECTIONAL VIEW

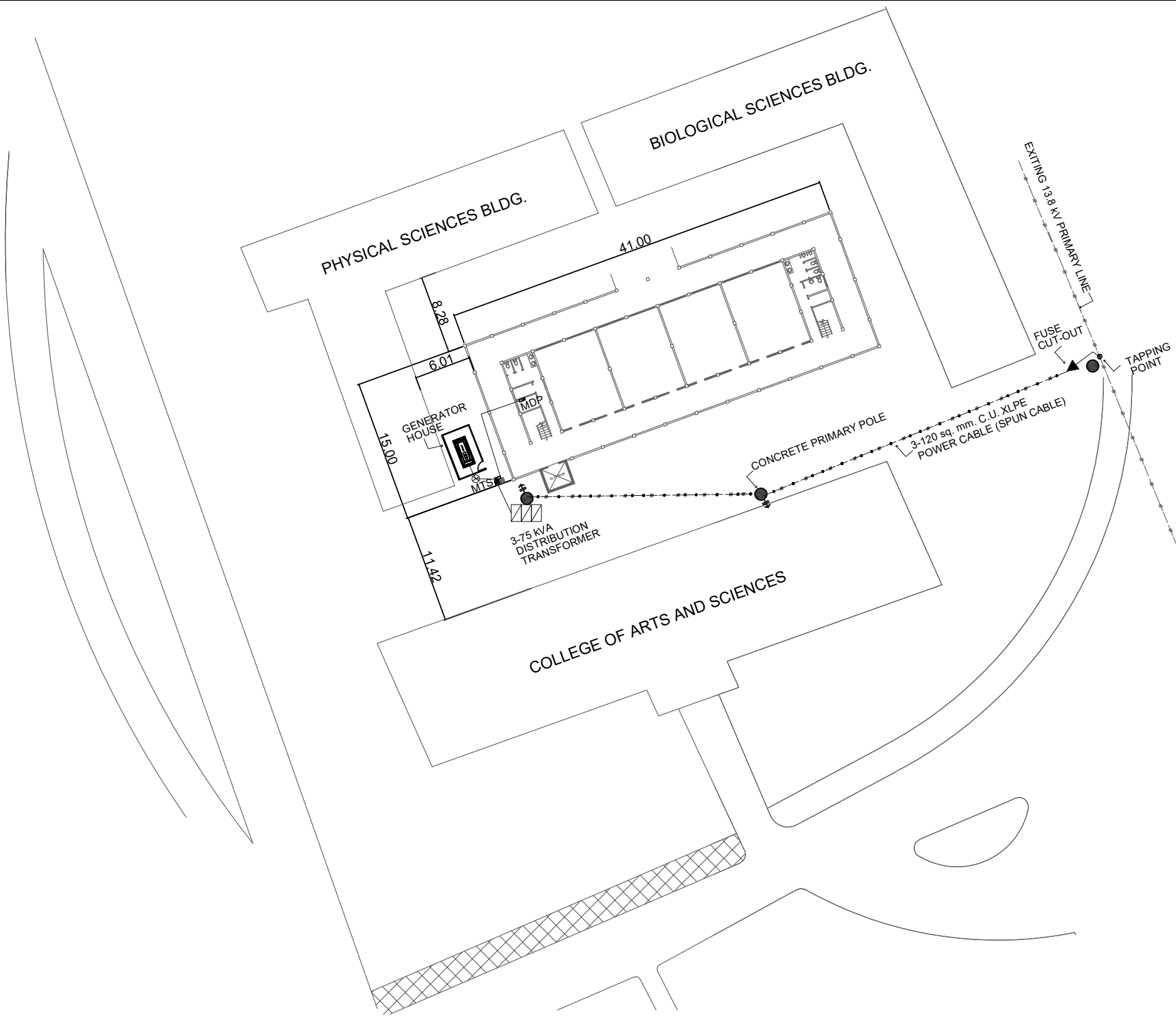


SCALE

DET. OF CISTERN TANK

N. T. S.

BID BULLETIN NO. 01
COMPLETION OF GENERAL EDUCATION BUILDING



LEGEND AND SYMBOLS	
	PRIMARY CONCRETE POLE
	SECONDARY CONCRETE POLE
	EXISTING PRIVATE STEEL POST
	SERVICE ENTRANCE PEDESTAL WITH DISCONNECTING SWITCH
	MERALCO 34.5KV PRIMARY LINE
	SERVICE WIRE LOAD SIDE SECONDARY WIRE
	PANEL BOARD
	DISTRIBUTION TRANSFORMER
	DOWN/TRUSS GUY SUPPORT
	FUSE CUT-OUT

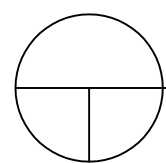
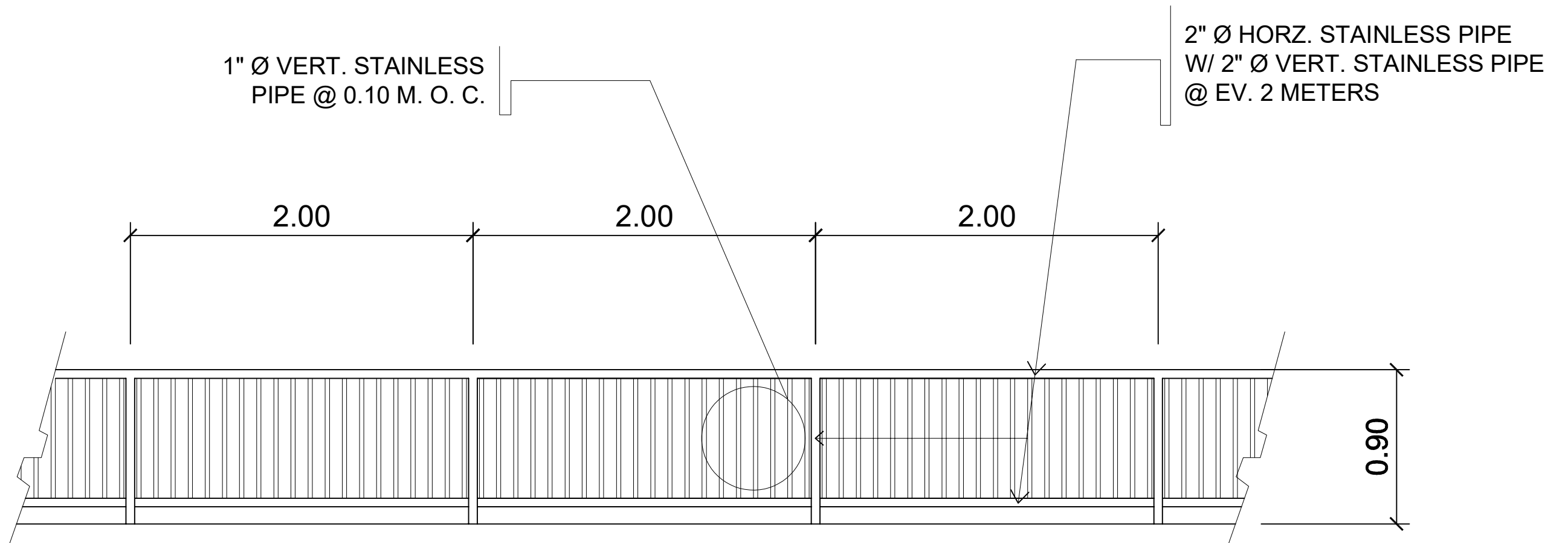
1
E 16

ELECTRICAL FEEDER LINE LAYOUT

SCALE

1 : 500

BID BULLETIN NO. 01
COMPLETION OF GENERAL EDUCATION BUILDING



ELEVATION OF STAINLESS HANDRAILS

SCALE

N. T. S.

BID BULLETIN NO. 01
 COMPLETION OF GENERAL EDUCATION BUILDING