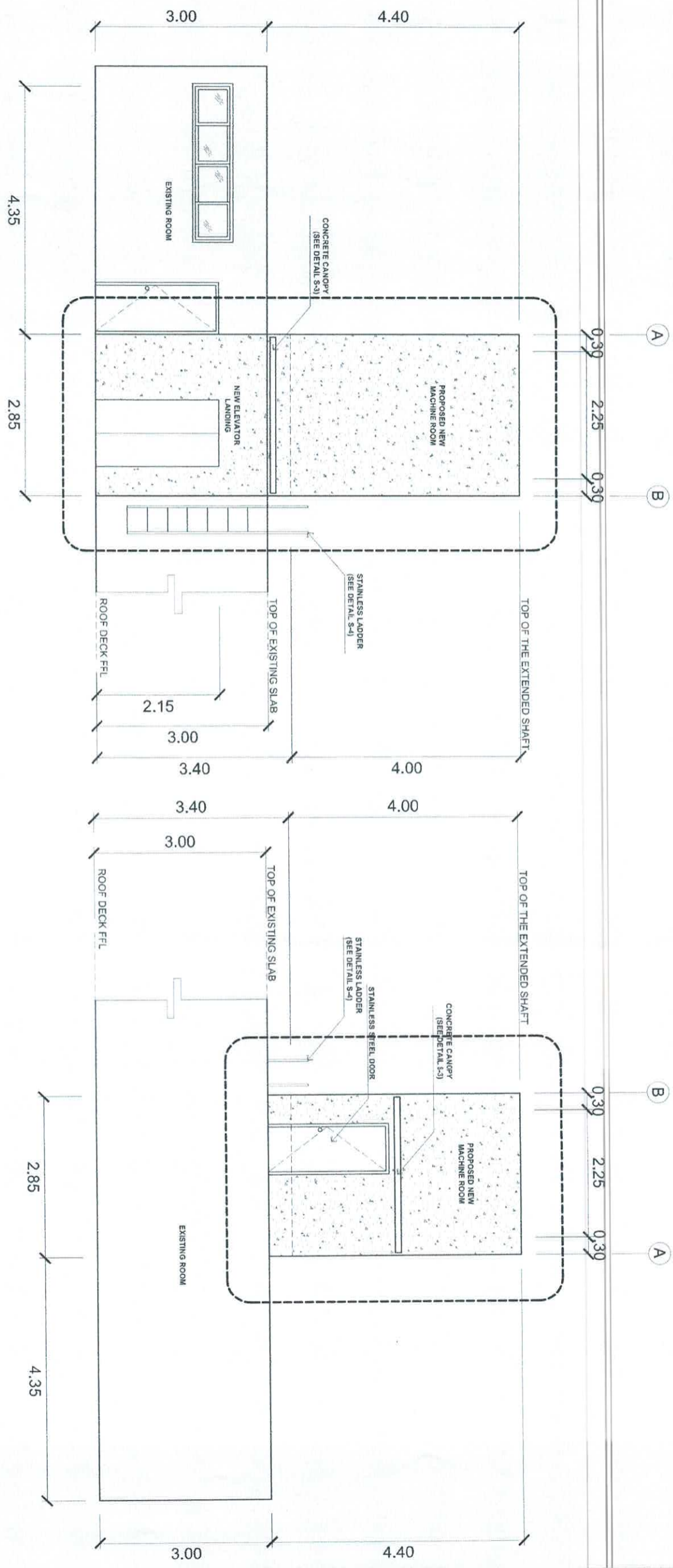


1
A-1
ROOF DECK FLOOR PLAN
 SCALE 1 : 200 MTS.

	PREPARED BY: L.M. ABEL PDU	END USER: <i>W.C. Buclatin</i> W. C. BUCLATIN DEAN	REVIEWED BY: <i>E.N. Rodericos Jr.</i> E. N. RODERICOS JR. ARCHITECT	ENDORSED BY: <i>S.B. Bayot Jr.</i> S. B. BAYOT JR. HEAD PDU	ENDORSED BY: <i>O. Badelos Reyes</i> O. BADELOS REYES PLANNING AND REVT. OFFICE	REC. APPROVAL: <i>A.G. MacCawamas</i> A. G. MACCAWAMAS VPPD	APPROVED BY: <i>J.X.B. Nepomuceno</i> J. X. B. NEPOMUCENO VP/AS	PROJECT TITLE/LOCATION: REPAIR AND IMPROVEMENT OF ENGINEERING SCIENCE BUILDING ELEVATOR SHAFT	IMPLEMENTING AGENCY: CAVITE STATE UNIVERSITY	SHT NO: A - 1
---	----------------------------------	---	---	--	--	--	--	--	---	------------------



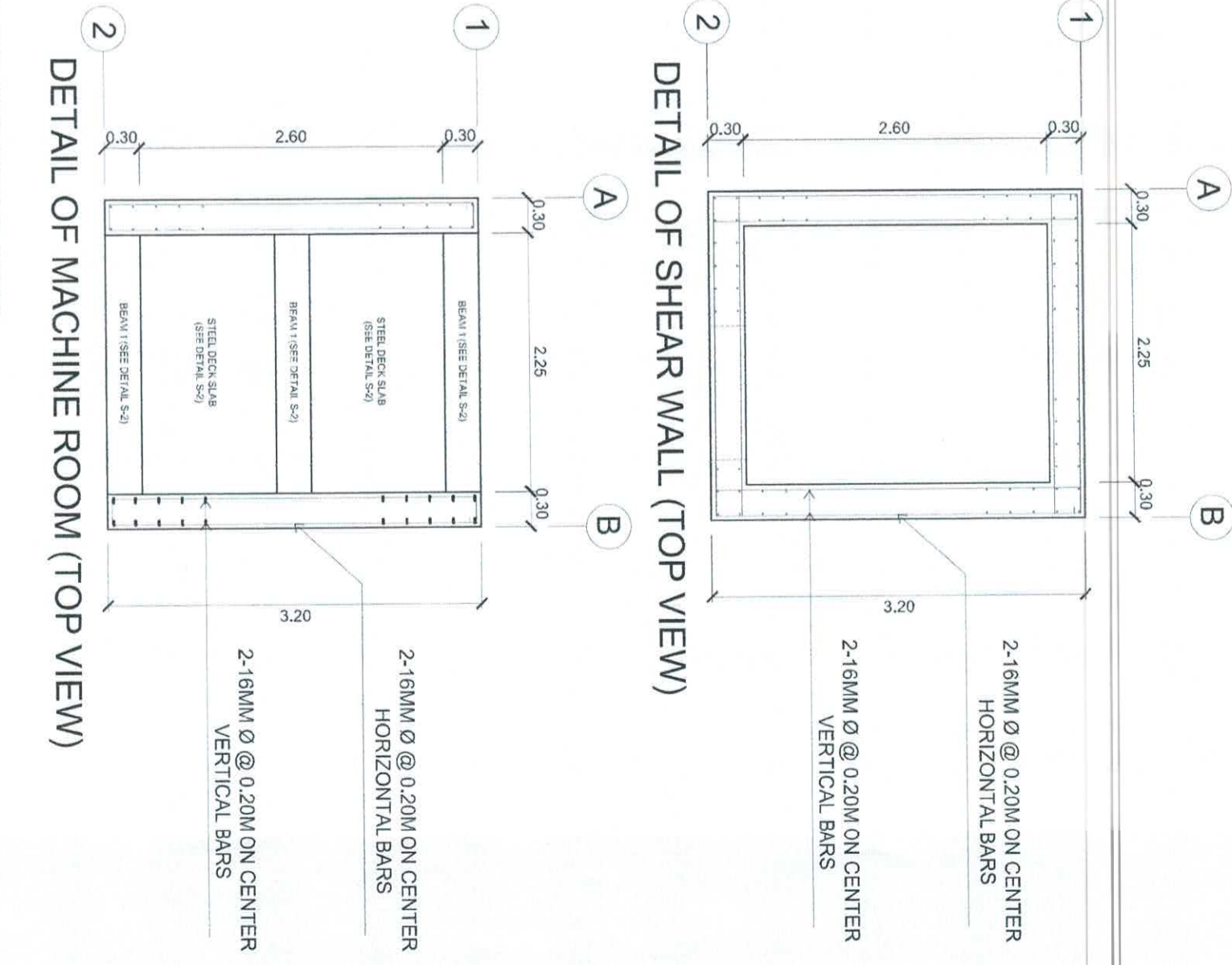
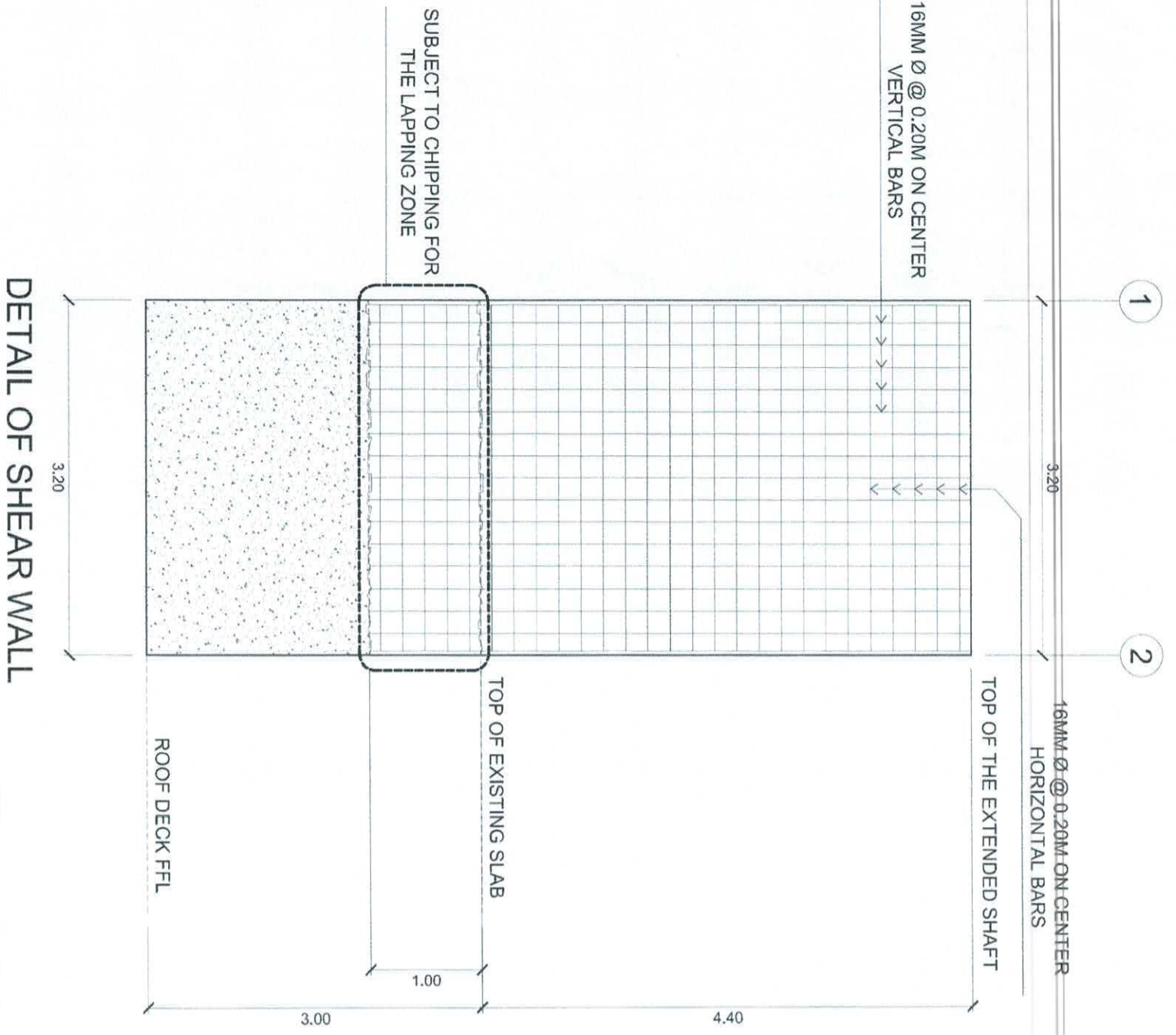
1
A 3

FRONT ELEVATION
SCALE 1 : 75 MTS.

2
A 3

REAR ELEVATION
SCALE 1 : 75 MTS.

 PREPARED BY: L. M. ANILAR PULL DND	END USER: W. C. BUCLATIN DEAN CEIT	REVIEWED BY: E. N. RODRIGOS JR. ARCHITECT	ENDORSED BY: S. B. BAYOT JR. HEAD PSU	ENDORSED BY: O. B. DELOS REYES DIRECTOR PLANNING AND DEVL. OFFICE	REG. APPROVAL: A. G. MAGDANAWAS VPPD CIVSU	APPROVED BY: J. X. B. NEPOMUCENO VPASS CIVSU	APPROVED BY: M. D. ROBLES PRES CIVSU	PROJECT TITLE/LOCATION: REPAIR AND IMPROVEMENT OF ENGINEERING SCIENCE BUILDING ELEVATOR SHAFT CAVITE STATE UNIVERSITY	IMPLEMENTING AGENCY: CAVITE STATE UNIVERSITY	SHT NO: A - 3
--	---	---	--	--	---	---	---	--	---	------------------

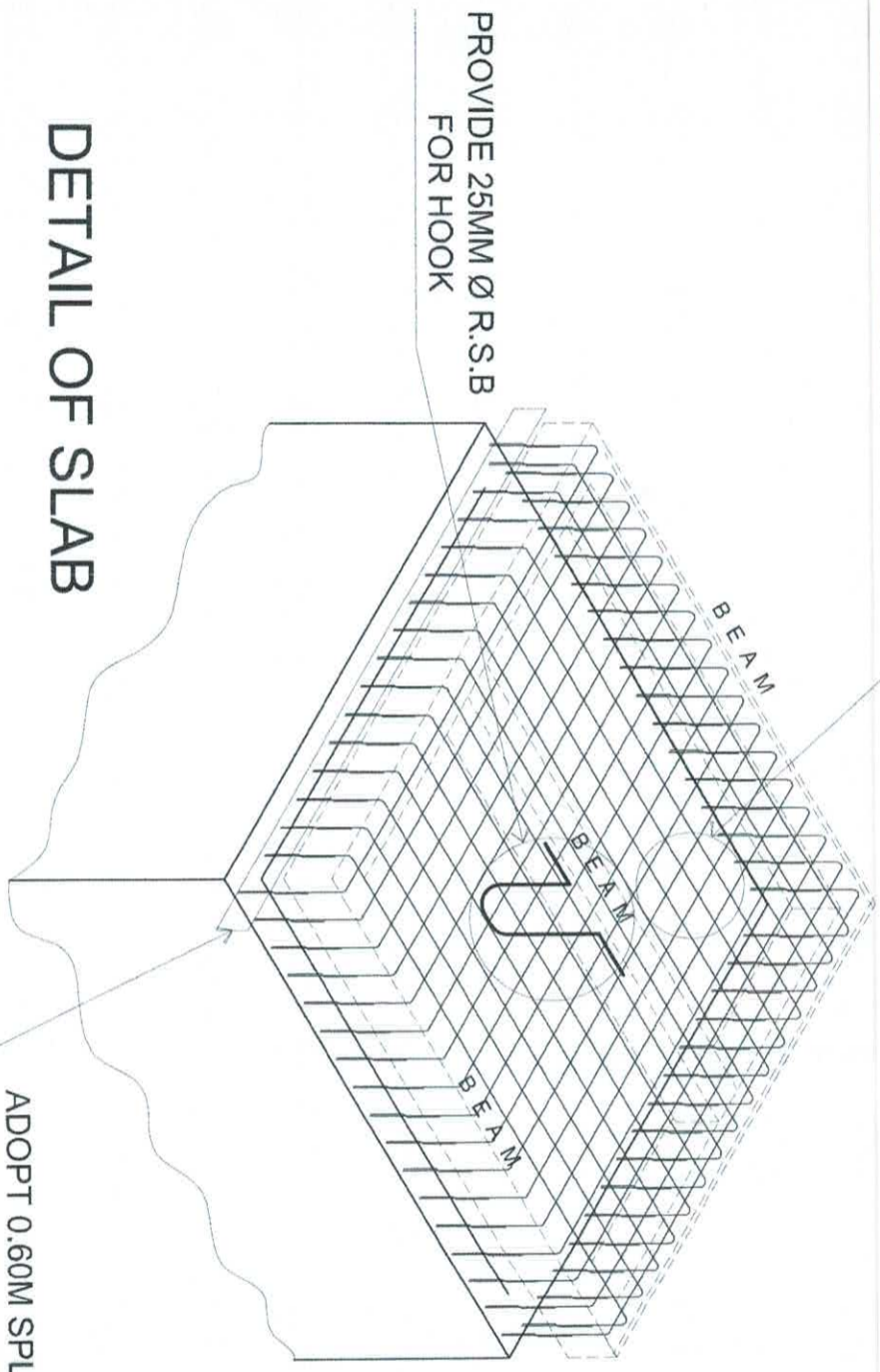


1
SCALE

1 : 50 MTS.

	PREPARED BY: L. M. ABRIL <small>PROJ. CHIEF</small>	END USER: W. C. BUCLATIN <small>DEAN</small>	REVIEWED BY: L. E. ROCERA <small>CIVIL ENGINEER</small>	ENDORSED BY: O. B. DELOS REYES <small>DIRECTOR "TRAINING AND RESEARCH"</small>	REC. APPROVAL: A. G. MAGCAYAS <small>CIVIL ENGINEER</small>	APPROVED BY: J. X. B. NEPOMUCENO <small>CIVIL ENGINEER</small>	TITLE/LOCATION: REPAIR AND IMPROVEMENT OF ENGINEERING SCIENCE BUILDING ELEVATOR SHAFT	IMPLEMENTING AGENCY: CAVITE STATE UNIVERSITY	SHT. NO.: S - 1
	S. B. BAYOT JR. <small>HEAD PROJ.</small>	S. B. BAYOT JR. <small>HEAD PROJ.</small>	A. G. MAGCAYAS <small>CIVIL ENGINEER</small>	J. X. B. NEPOMUCENO <small>CIVIL ENGINEER</small>	A. D. ROBLES <small>CIVIL ENGINEER</small>	CAVITE STATE UNIVERSITY	CAVITE STATE UNIVERSITY		

150MM THK. CONCRETE SLAB ON 0.8MM THK. METAL DECK W/ 12MM Ø R.S.B. SPACED @ 150MM BOTH WAYS ON CENTER, SPLICED ON SHEAR WALL R.S.B

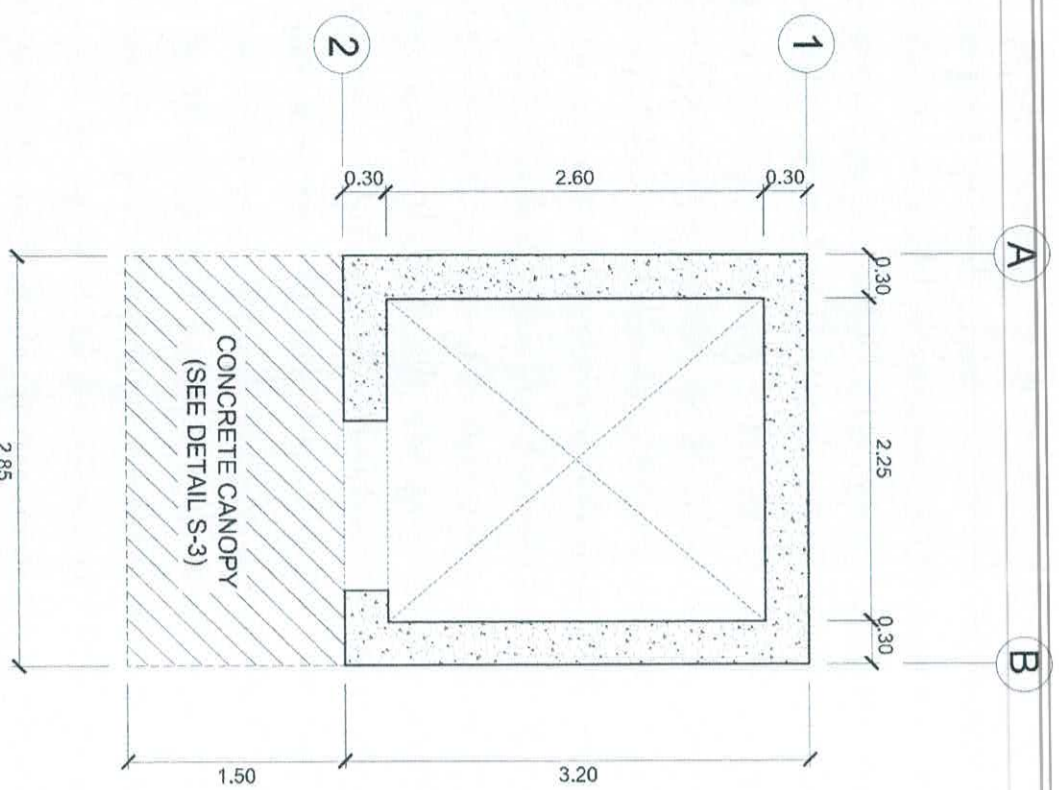


DETAIL OF SLAB

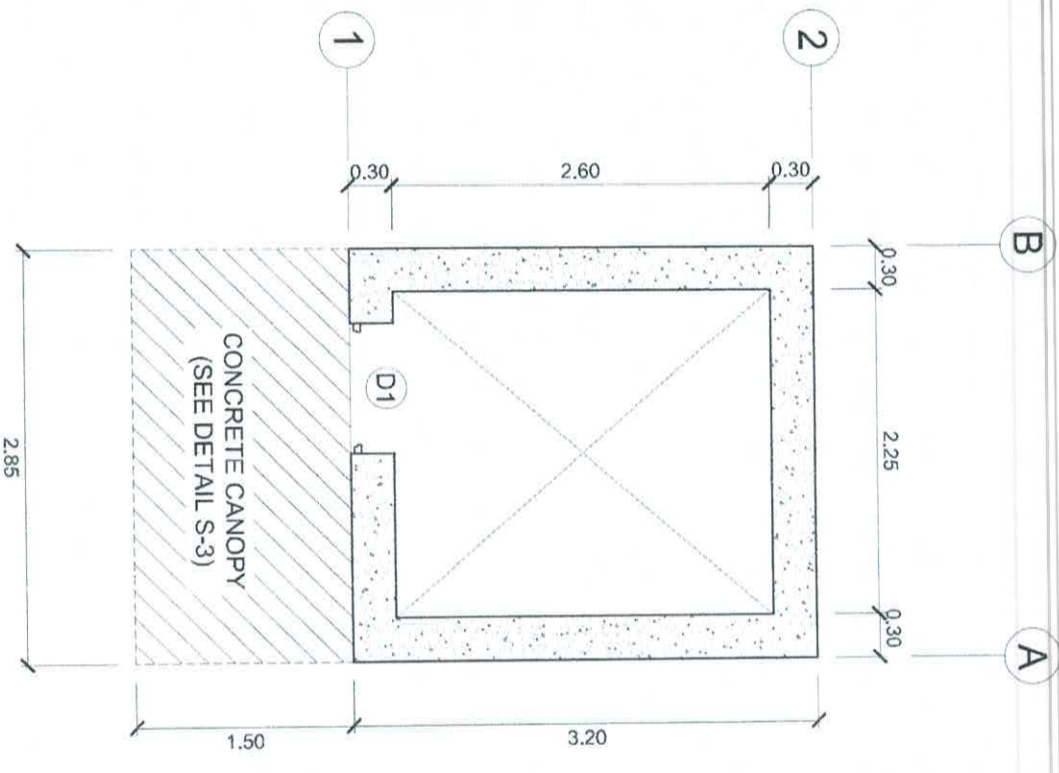
SCHEDULE OF BEAM

SECTION	END - SECT BARS	MID - SECT BARS	SPACING OF STIRRUPS
B - 1	<p>2 - 25 mm Ø D.R.B. 3 - 25 mm Ø D.R.B.</p>	<p>2 - 25 mm Ø D.R.B. 3 - 25 mm Ø D.R.B.</p>	<p>10 mm Ø D. R. B. STIRRUPS SPACED 2 - 50mm, 4 - 75mm, 4 - 100mm REST @ 200mm</p>

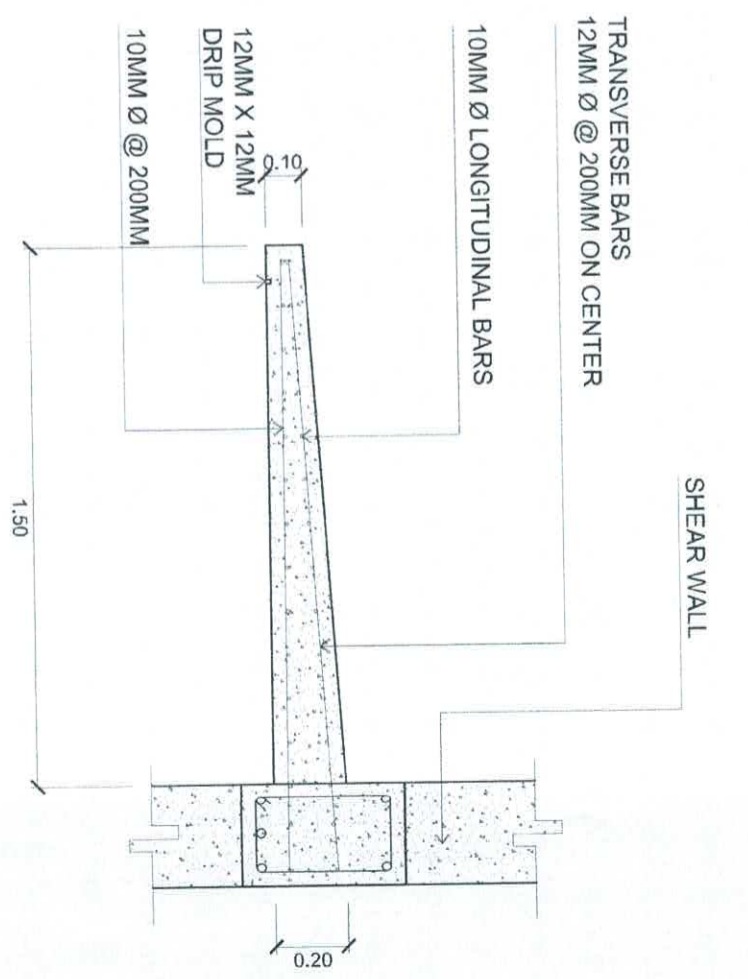
	PREPARED BY: M. DENAR <small>POB. CIVIL ENGR.</small>	END USER: W. C. BUCLATTIN <small>DEAN</small>	REVIEWED BY: L. E. ROCELA <small>CIVIL ENGINEER</small>	ENDORSED BY: O. B. DELLOS REYES <small>DIRECTOR</small>	REC. APPROVAL: A. G. MAGDAWAS <small>C/SU</small>	APPROVED BY: H. D. ROBLES <small>C/SU</small>	PROJECT TITLE/LOCATION: REPAIR AND IMPROVEMENT OF ENGINEERING SCIENCE BUILDING ELEVATOR SHAFT <small>VAICANUBS</small>	IMPLEMENTING AGENCY: CAVITE STATE UNIVERSITY	SHT NO.: S - 2
--	--	--	--	--	--	--	---	--	--------------------------



ADDITIONAL LANDING



MACHINE ROOM



DETAIL OF CONCRETE CANOPY

1
S 3

DETAILS OF REINFORCEMENTS

SCALE
1 : 50 MTS.

 PREPARED BY: L. M. ABERNETHY POB. CIVIL ENGINEER	END USER: W. C. BUCALATIN DEAN, CIVIL	REVIEWED BY: L. E. ROJAS CIVIL ENGINEER	S. B. BAYOT JR. HEAD, POU	ENDORSED BY: G. B. DELOS REYES DIRECTOR, PLANNING AND DEPT. CHIEF	REC. APPROVAL: A. G. MAGCAYAS CIVIL	J. X. B. NEPOMUCENO CIVIL	APPROVED BY: H. D. ROBLES CIVIL	PROJECT TITLE/LOCATION: REPAIR AND IMPROVEMENT OF ENGINEERING SCIENCE BUILDING ELEVATOR SHAFT VATIC CAMPUS	IMPLEMENTING AGENCY: CAVITE STATE UNIVERSITY	SHT NO.: S - 3
---	---	---	------------------------------	---	---	------------------------------	---------------------------------------	--	---	-------------------

