



NATIONAL COFFEE RESEARCH, DEVELOPMENT AND EXTENSION CENTER

FABRICATION OF UNMANNED GROUND VEHICLE MATERIALS AND LABOR

ABC: Php 1,300,000.00

Funding Source: TRUST (PCAARRD UGV/UAV vis-NIR Project)

Item No.	Qty./ Unit	Item Description	Unit Price (Php)	Total Price (Php)
1	1 lot	Fabrication of Unmanned Ground Vehicle (Materials and Labor)	1,300,000.00	1,300,000.00
			Total Amount	1,300,000.00

*With on-site presentation/ demonstration before acceptance, and user training prior to final acceptance of the product. Must have at least one (1) year of calibration and preventive maintenance services and at least a two-year warranty on parts and services.

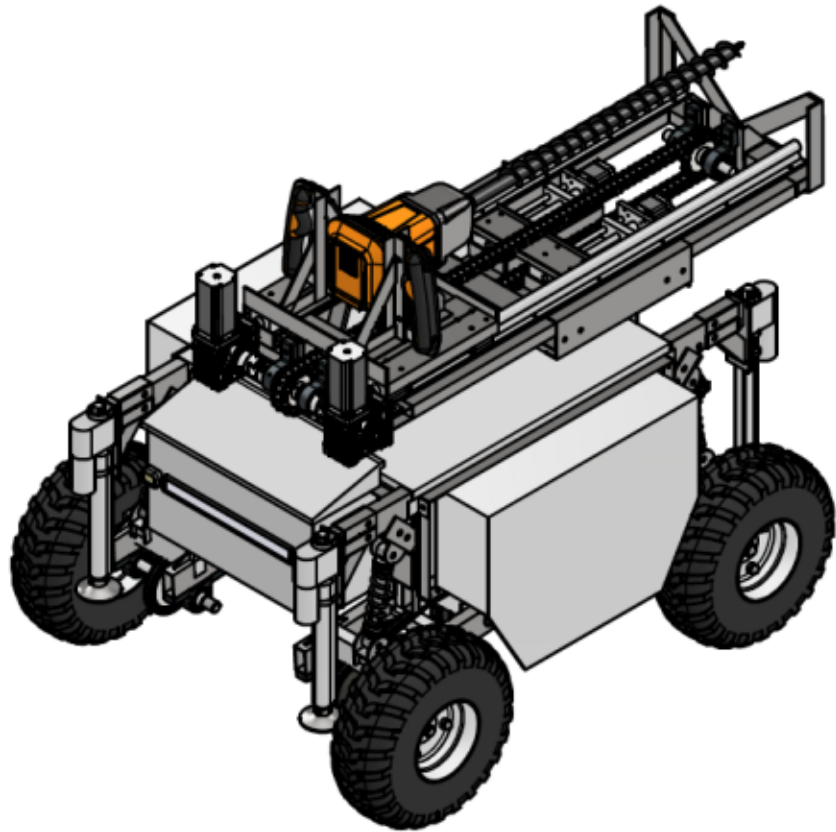
Components/ List of Materials

Qty/Unit	Item Description
1 lot	Unmanned Ground Vehicle Chassis and Structural Parts
2 units	Custom Battery (Lifepo4 24V 40AH/50AH), Length<260mm, Width<170mm, Height<200mm
12 units	Pillow Block (19.05 mm or 3/4 Inch)
4 units	Heavy-Duty Linear Actuator (12V, 1200 N, 10mm/sec, 250 mm/10" Stroke)
2 units	Linear Guide Rail 1000 mm Length with Bearing Block
1 unit	Linear Actuator (Electro-Hydraulic, 300 mm Stroke)
1 unit	Cordless Electric Earth Auger Drill 20V
2 units	Nema 23 Stepper Motor with Worm Gear (113 mm, 30:1 gear ratio)
2 units	Flexible Jaw Coupling 40x66mm 14mm - 19mm
2 units	Motor Driver for Nema 23
2 units	Geared Stepper Motor Shaft
2 units	Nema 23 Bracket
2 units	Ball Screw Linear Guide Actuator with Nema 23 Stepper Motor 100 mm Stroke
1 unit	Roller Chain (12B-1 Simplex Roller Chain, 5m)
2 units	BLDC Geared Motor with Controller (750 watts, 460 rpm)
4 units	Wheel 145/70-6 three-hole Assembly
6 units	Sprockets and Chain Set (#420 - 28T - 14T - 70L)
4 units	Sprockets and Chain Set (#420 - 25T - 14T - 70L)
2 units	Viper-Slide Kit 2 Stage (Belt-Driven, 336mm Slides)
2 units	Planetary Gear Motor (99.5:1 Ratio, 60 RPM, 3.3 - 5V Encoder)
1 unit	U-Channel 1121 Series Low-Side (15 Hole, 384mm Length)
1 unit	ServoBlock (Standard Size, 25 Tooth Spline, Hub-Shaft)
1 unit	Servo Travel Tuner
1 unit	Servo Dual Mode 2000 Series (25-2, Torque, 300:1)
1 unit	1804 Series Servo Stand (32-1)

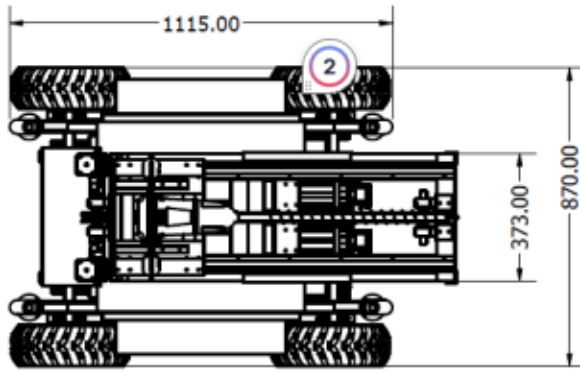
1 unit	10mm Bore Face Thru-Hole Pillow Block (32mm x 32mm Mounting Pattern)
1 unit	Servo Hub-Shaft 1910 Series (25 Tooth Spline, 10mm Shaft Diameter, 33mm Length)
2 units	Pillow Block 10mm Bore Face Thru-Hole (32mm x 32mm Mounting Pattern)
1 unit	Socket Head Screw (M4 x 0.7mm, 10mm Length) - 25 Pack
1 unit	Socket Head Screw (M4 x 0.7mm, 18mm Length) - 25 Pack
1 unit	Socket Head Screw (M4 x 0.7mm, 25mm Length) - 25 Pack
2 units	Flexible Jaw Coupling (40x66mm 14mm - 19mm)
2 units	Motor Driver for Nema 23 (1.0-4.5A 18-50VDC)
2 units	Motor Shaft (14mm diameter, 102 Length)
2 units	Sprocket (PHS 12B-1BH11 12B-1 Chain Type)
1 unit	Auger Drill Bit (40 mm x 800 mm)
2 units	BLDC Geared Motor with Controller (750 watts, 460 rpm)
6 units	Sprockets and Chain Set (#420 - 28T - 14T - 70L)
2 units	Motor Driver for Nema 23 (1.0-4.5A 18-50VDC)

Note: detailed design is available upon request; supplier/fabricator must sign a confidentiality/non-disclosure agreement before receiving the detailed design

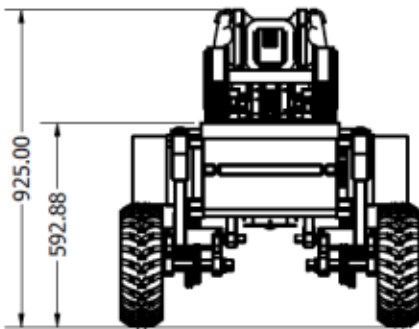
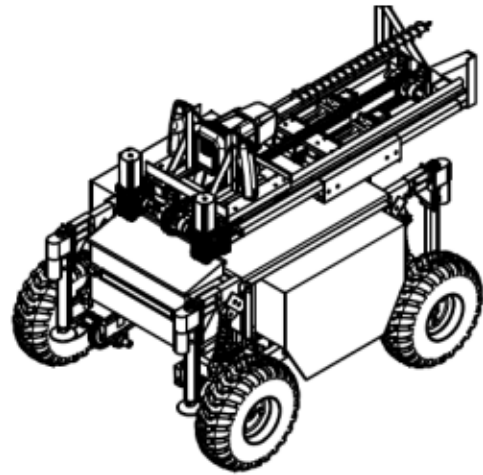
SAMPLE PHOTOS



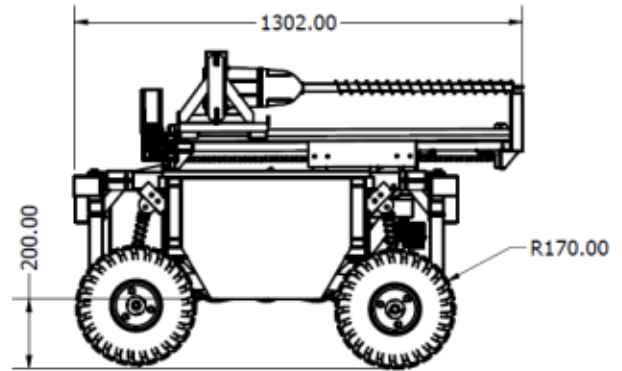
Unmanned Ground Vehicle (UGV)



Top View



Front View



Side View

Scale: 1:15

Prepared by:

Jesriel Alsonado

JESRIEL Y. ALSONADO

Project Technical Assistant IV

Rodney B. Javier

RODNEY B. JAVIER

Project Technical Assistant VI

Al Eugene L. Torres

AL EUGENE L. TORRES

Project Support Staff

Attested by:

Gerry M. Castillo

GERRY M. CASTILLO

End-User

Noted by:

Edwin R. Arboleda

EDWIN R. ARBOLEDA

TWG Member, ECE Supplies and Equipment

Michael T. Costa

MICHAEL T. COSTA

TWG Chair, ECE Supplies and Equipment