



Republic of the Philippines
CAVITE STATE UNIVERSITY
Don Severino de las Alas Campus
 Indang, Cavite, Philippines
 ☎ (046) 889-6373
www.cvsu.edu.ph

INVITATION TO SUBMIT QUOTATION
Supply, Delivery and Installation of Office Partition and Armchair for College of Nursing

1. The Cavite State University (CvSU) invites interested firms/supplier to submit quotation for the project **“Supply, Delivery and Installation of Office Partition and Armchair for College of Nursing”** with an Approved Budget for the Contract (ABC) **Four Hundred One Thousand Pesos Only (PhP 401,000.00)**. Quotation received in excess of the ABC shall be automatically rejected at the opening.

Item No.	Quantity	Unit	Description	Unit Cost	Total Cost
1.	5	pcs	Laminated Partition ● 42mm thickness ● aluminum endtrims ● 120(h)X130(w) cm.	9,950.00	49,750.00
2.	5	pcs	Laminated Partition ● 42mm thickness ● aluminum endtrims ● 120(h)X120(w) cm.	9,700.00	48,500.00
3.	5	pcs	Laminated Partition ● 42mm thickness ● aluminum endtrims ● 120(h)X60(w) cm.	6,700.00	33,500.00
4.	5	pcs	Table Top ● laminated finish ● 2.5 cm thickness ● 120(w)X60(d) cm.	2,750.00	13,750.00
5.	5	pcs	Side Table Top ● laminated finish ● 2.5 cm thickness ● 70(w)X35(d) cm.	1,800.00	9,000.00
6.	5	pcs	Metal Legs ● powder coated	1,500.00	7,500.00
7.	5	pcs	Counter Top ● laminated finish ● 2.5 cm thickness ● 129.5(w)X20(d) cm.	2,600.00	13,000.00
8.	5	pcs	Staff Chair ● w/ armrest ● fabric upholstery ● nylon base w/ caster ● color black or gray	3,200.00	16,000.00
9.	42	pcs	left-handed school arm chair, heavy duty, made of 100% resin supported with durable metal arms and legs, with writing board for left handed use, blue	2,500.00	105,000.00
10.	42	pcs	right-handed school arm chair, heavy duty, made of 100% resin supported with	2,500.00	105,000.00

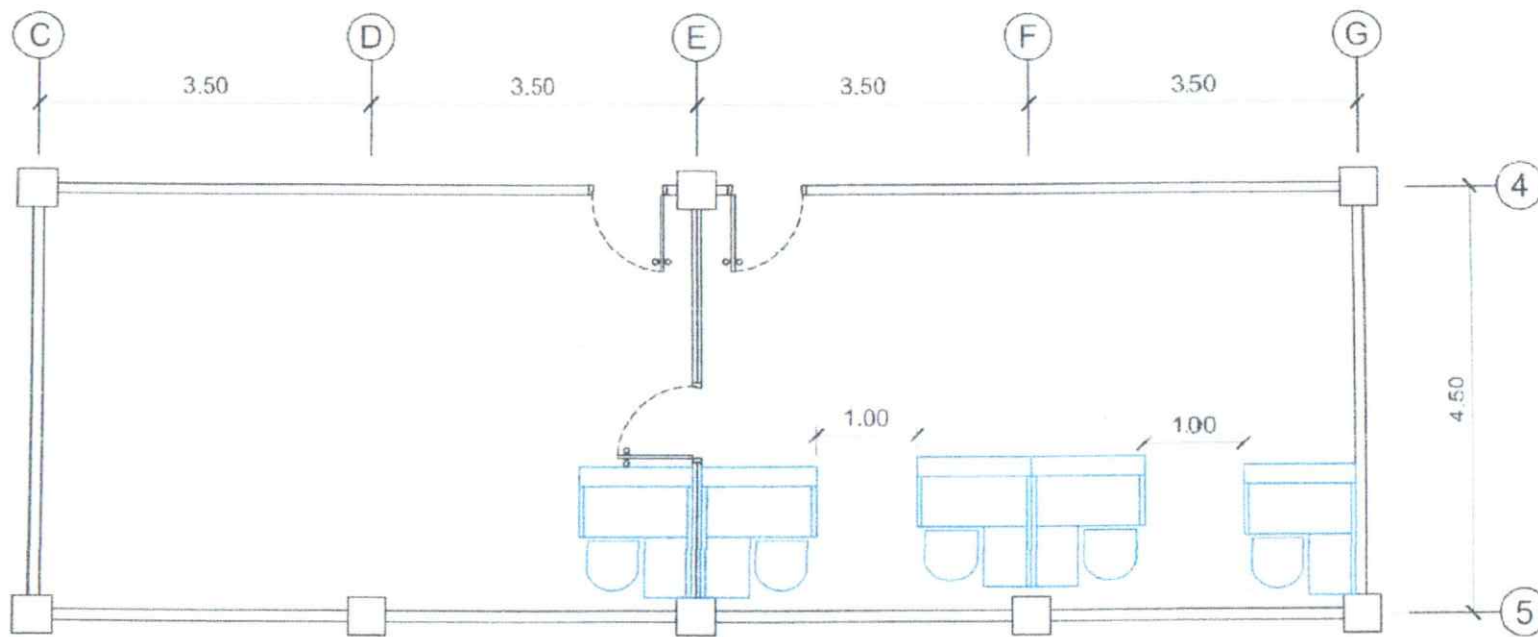
			durable metal arms and legs, with writing board for left handed use, blue (See attached Lay-Out)		
TOTAL AMOUNT					401,000.00

2. Delivery Period: ____ calendar days from the receipt of P.O.
3. Price quotations must be valid for a period of sixty (60) calendar days from date of submission and shall include all taxes, duties and/or levies payable. Bidders shall also indicate the brand and model of the items being offered.
4. Warranty shall be for a period of six (6) months for supplies and materials. Warranty for equipment must not be less than one (1) year from the date of acceptance and shall be accompanied with Warranty Certificate.
5. The quotation must be submitted to the Procurement Office through mail, fax or email at the contact details listed below **on or before 5:00 PM of December 2, 2024.**

Address : Procurement Office, Administration Building
 Cavite State University
 Indang, Cavite
 E-mail : procurementoffice@cvsu.edu.ph / rfqmain@cvsu.edu.ph
 Telefax : (046) 889-6373

6. The CvSU reserves the right to reject any or all quotations and/or proposals and waive any formalities/informalities therein and to accept such bids it may consider as most advantageous to the agency and to the government. CvSU neither assumes any obligation for whatsoever losses that may be incurred in the preparation of bids, nor does it guarantee that an award will be made.


ROSELYN M. MARANAN
 BAC Secretary, Goods and Consulting Services



1
A1

PARTITION LAYOUT

SCALE

1 : 75 MTS.

	PREPARED BY	PMI/USP/	REVIEWED BY	PROFESSOR/	ENR. APPROVAL	APPROVED BY	SECUR. TITLE LOCATION	DEPT/ENR. AGENCY	SHEET NO.
	T. M. JULIANO FCP	E. M. DEL MUNDO SEAN	E. N. RODEROS ARC-REC.	S. B. BAYOT JR. HEAD	Q. B. BELOS REYES ENR. (CIVIL ENGINEERING ONLY)	H. D. ROBLES ENR.	OFFICE PARTITION FOR COLLEGE OF NURSING CAVITE STATE UNIVERSITY	CAVITE STATE UNIVERSITY	A-1